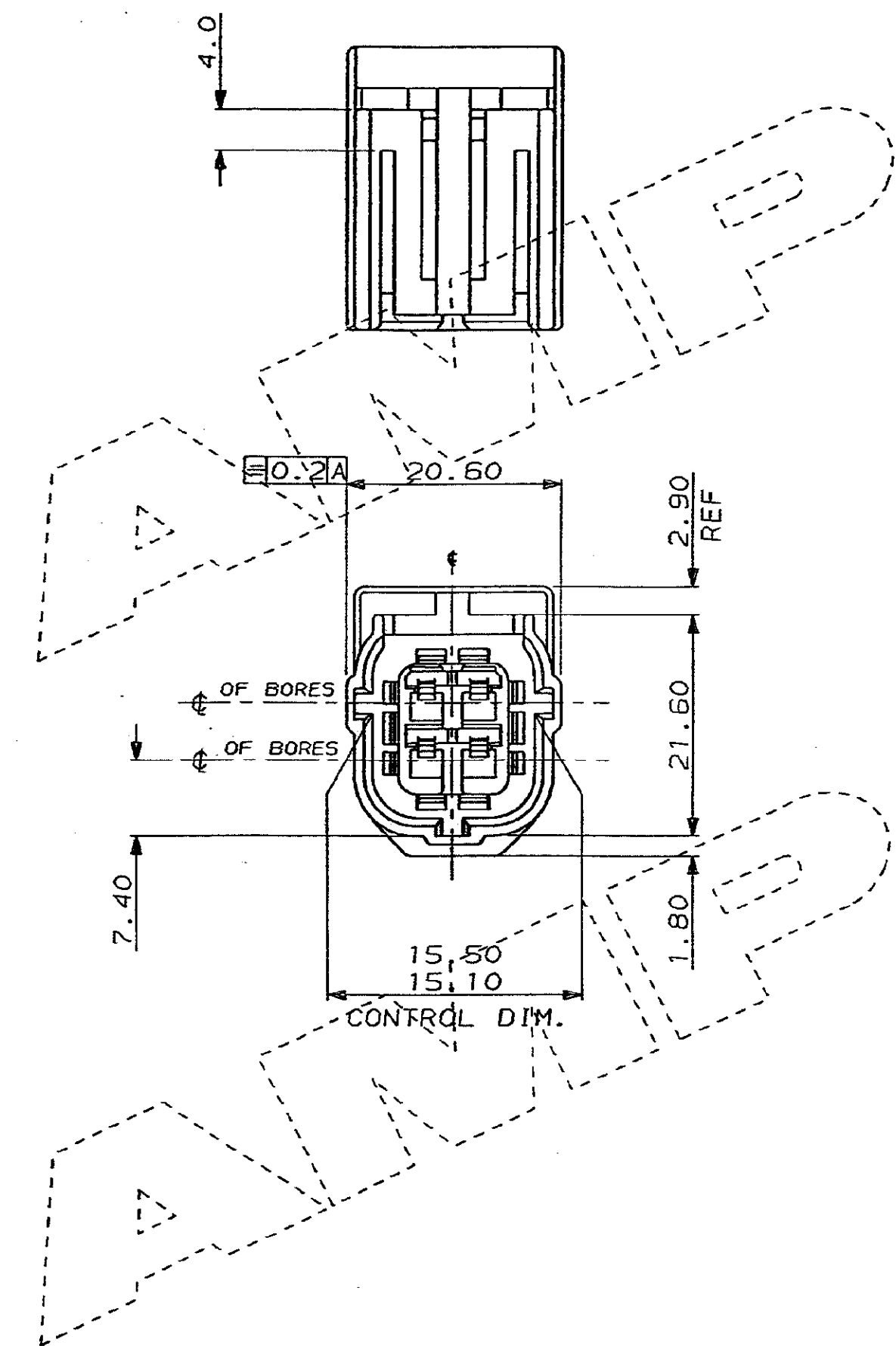
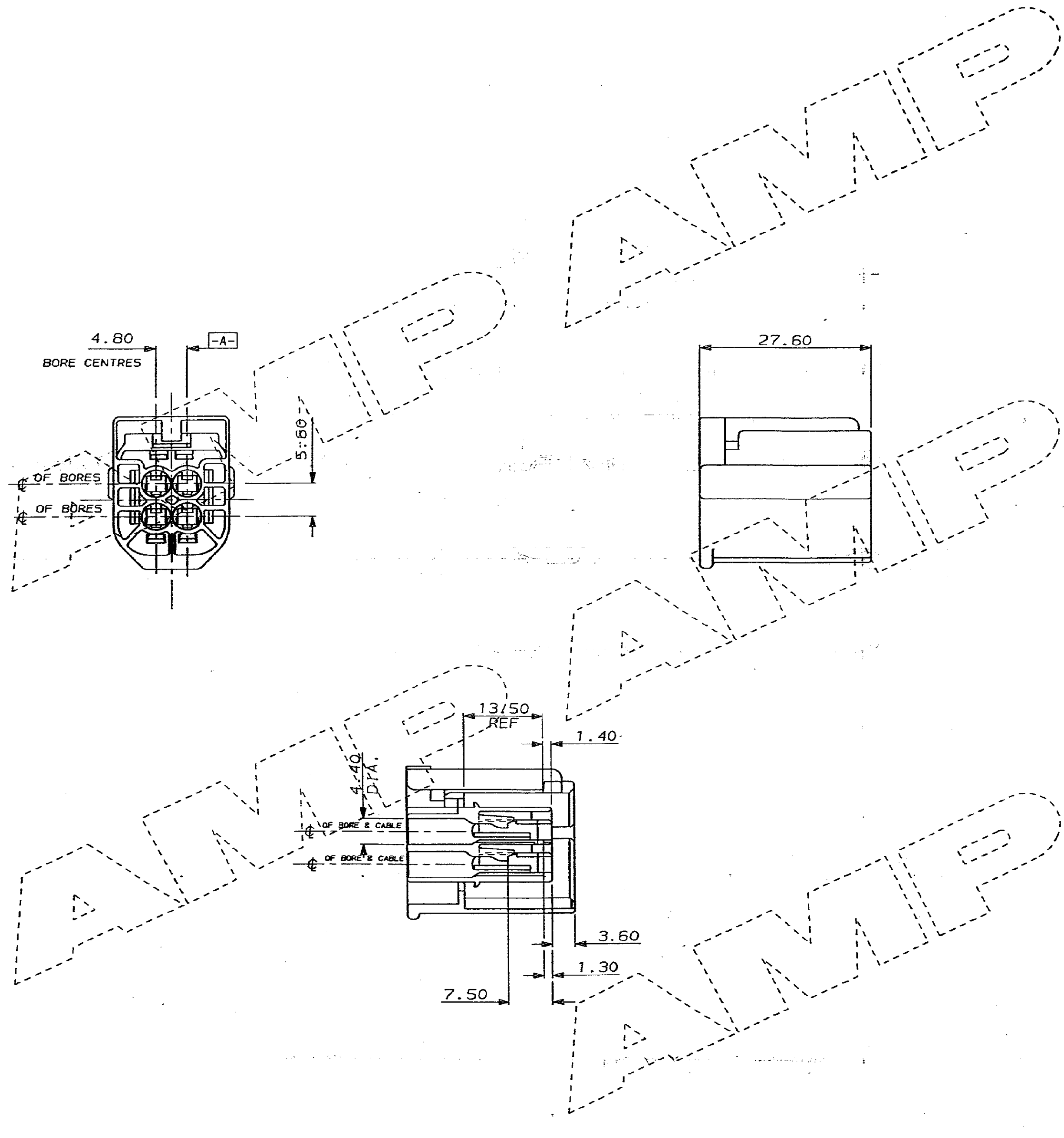
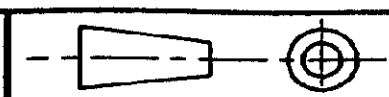


DO NOT SCALE

DIMENSIONS IN MM.



FINISH	MATERIAL	PART NUMBER
WHITE	NYLON 6.6	344269-4
BLUE	NYLON 6.6	344269-3
RED	NYLON 6.6	344269-2
BLACK	NYLON 6.6	344269-1

<b>CUSTOMER DWG</b> FOR REFERENCE ONLY		© COPYRIGHT 1987 BY AMP OF GREAT BRITAIN LTD. ALL INTERNATIONAL RIGHTS RESERVED. ALL PRODUCTS MAY BE COVERED BY BRITISH AND FOREIGN PATENTS AND/OR PATENTS PENDING.		RELEASED FOR PUBLICATION 03/11/87	
F	ADDED -2, -3 & -4.	CS726	4.3.91	TOLERANCES UNLESS OTHERWISE STATED ±	
E	ADDED 4.0 DIM.	CS615	26.9.90	DEC ± 0.5	
D	PICT. CHANGE TO REAR CORING.	CS413	2.2.90	ANGLES ± 1°	
C	CONL. DIM. WAS 15.30/15.10.	CS317	29.6.89	NAME	
B	UPDATED	CS241	11.5.89	4 WAY RECEPTACLE HSG. ECONOSEAL 3 LOW CURRENT	
A	UPDATED	CS014	29.7.88	SCALE LOG SIZE DWG. No.	
O	REL. FOR PROD.	C4896	14.3.88	2/1	E A2
REV	APPROVED	ECM	DATE	DWG. No. C344269	
				REV	SHEET
				F	1/1

S. C344269.1