

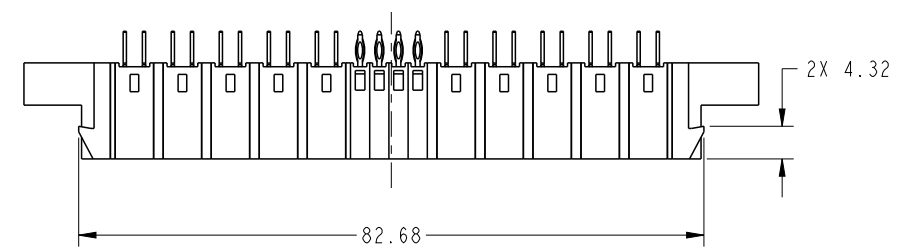
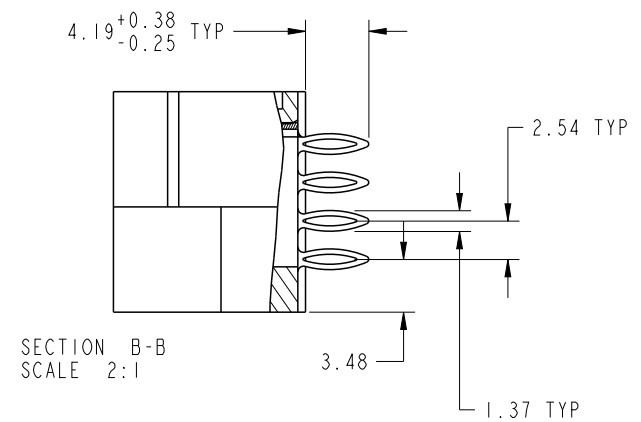
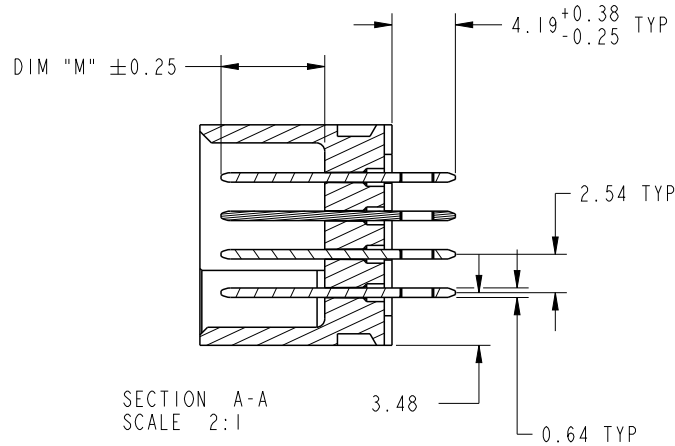
| CODE | DIM "M" MATING LENGTH | CONTACT TYPE |
|------|-----------------------|--------------|
| PC   | [N/A]                 | POWER        |
| G    | [6.86]                | SIGNAL       |

|               |                                       |            |          |                           |                        |                |        |           |          |       |     |
|---------------|---------------------------------------|------------|----------|---------------------------|------------------------|----------------|--------|-----------|----------|-------|-----|
| spec ref      | See Notes                             |            | dr       | Julia Wang                | 2011/09/08             | projection<br> | MM<br> | size      | A4       | scale | 1:1 |
| tolerance std | TOLERANCES UNLESS OTHERWISE SPECIFIED |            | eng      | Julia Wang                | 2011/09/13             |                |        | ecn no    | -        |       |     |
| See Notes     |                                       |            | chr      | -                         | -                      |                |        | rel level | Released |       |     |
| surface       | linear                                | 0.X ±0.5   | FCI<br>  | 5P + 16S + 5P             |                        |                | dwg no | 51963-075 | rev      | A     |     |
|               |                                       | 0.XX ±0.25 |          | VERTICAL PRESS-FIT HEADER |                        |                |        |           |          |       |     |
|               |                                       | 0.XXX ±0.1 |          | www.fci.com               |                        |                |        |           |          |       |     |
|               | angular                               | 0° ±2°     | cat. no. | -                         | Product - Customer Drw | sheet 1 of 4   |        |           |          |       |     |



Copyright FCI.

PrdE File - REV C - 2009-06-09



|             |                |  |                        |              |           |          |       |     |
|-------------|----------------|--|------------------------|--------------|-----------|----------|-------|-----|
| dr          | Julia Wang     | 2011/09/08                                 | projection<br>         | MM<br>       | size      | A4       | scale | 1:1 |
| eng         | Julia Wang     | 2011/09/13                                 |                        |              | ecn no    | -        |       |     |
| chr         | -              | -  |                        |              | rel level | Released |       |     |
| appr        | Pei-Ming Zheng | 2011/09/14                                 | product family         | PwrBlade     | rev       | A        |       |     |
|             | title          | 5P + 16S + 5P<br>VERTICAL PRESS-FIT HEADER |                        | dwg no       | 51963-075 |          |       |     |
| www.fci.com | cat. no.       | -  | Product - Customer Drw | sheet 2 of 4 |           |          |       |     |



Copyright FCI.

1

2

3

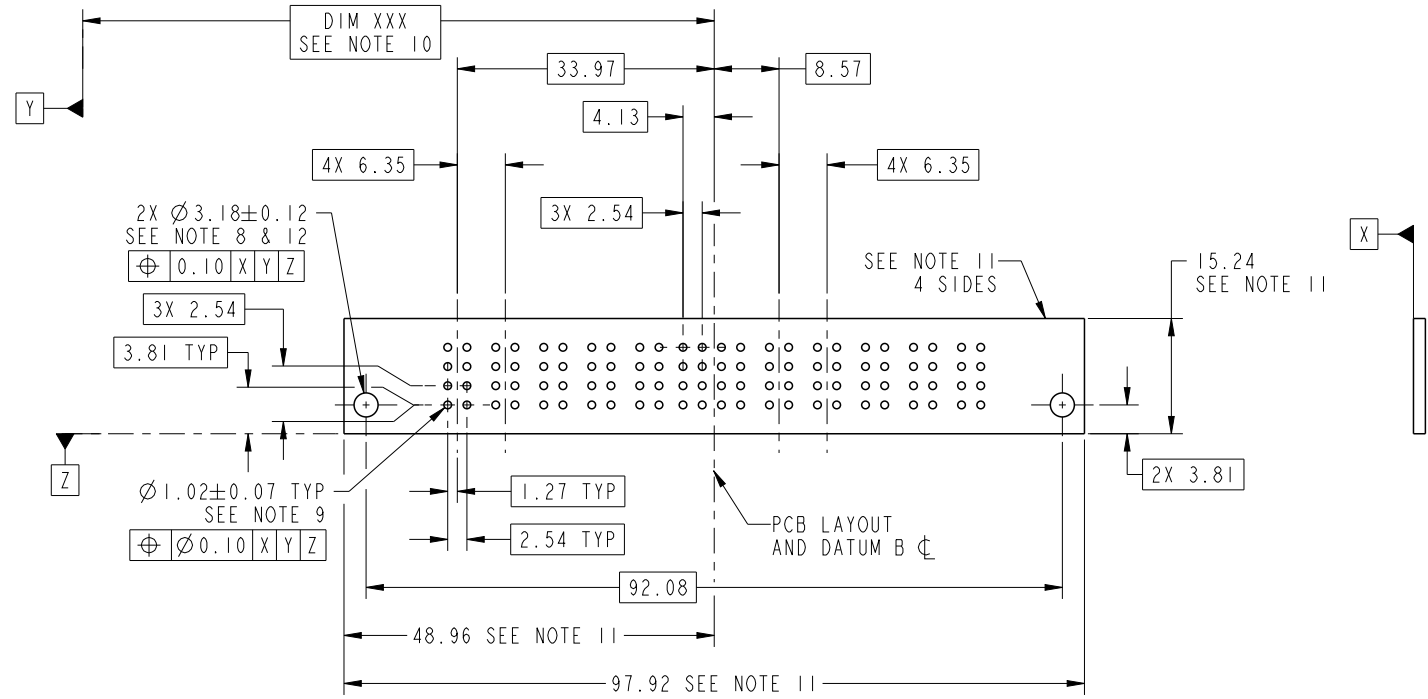
4

A

B

C

D



RECOMMENDED PCB LAYOUT

|             |                |  |                        |          |           |              |       |     |
|-------------|----------------|--|------------------------|----------|-----------|--------------|-------|-----|
| dr          | Julia Wang     | 2011/09/08                                 | projection<br>         | MM<br>   | size      | A4           | scale | 1:1 |
| eng         | Julia Wang     | 2011/09/13                                 |                        |          | ecn no    | -            |       |     |
| chr         | -              | -  |                        |          | rel level | Released     |       |     |
| appr        | Pei-Ming Zheng | 2011/09/14                                 | product family         | PwrBlade |           |              |       |     |
|             | title          | 5P + 16S + 5P<br>VERTICAL PRESS-FIT HEADER |                        | dwg no   | 51963-075 |              | rev   | A   |
| www.fci.com | cat. no.       | -  | Product - Customer Drw |          |           | sheet 3 of 4 |       |     |

2

3

4



Copyright FCI.

NOTES:

1. DIMENSIONS AND TOLERANCES ARE IN ACCORDANCE WITH ASME Y14.5M, 1994 UNLESS OTHERWISE SPECIFIED.

CONNECTOR NOTES:

- ② HOUSING MATERIAL: UL 94 V-0 GLASS FILLED HIGH-TEMP THERMOPLASTIC  
POWER CONTACT MATERIAL: COPPER ALLOY  
SIGNAL PIN MATERIAL: COPPER ALLOY
  - 3. SEE ITEM 3 & 4 IN PRINT 10064183 FOR PLATING SPEC OF 51963-075 AND 51963-075LF RESPECTIVELY.
  - ④ MANUFACTURER'S NAME, DATE CODE AND OPTIONAL P/N TO APPEAR ON THIS SURFACE. THE P/N CAN BE OMITTED IF THERE IS NOT ENOUGH SPACE ON THIS SURFACE.
  - 5. PRODUCT SPECIFICATION GS-12-149.  
APPLICATION SPECIFICATION BUS-20-067.
  - 6. PACKAGED IN TRAYS.
- PCB NOTES:
- 7. ALL HOLE DIAMETERS ARE FINISHED HOLE SIZE.
  - 8. MOUNTING HOLES, WHERE APPLICABLE, ARE UNPLATED.

⑨  $\varnothing 1.151 \pm 0.025$  DRILLED HOLES PLATED WITH 0.008 MIN SnPb OR Sn OVER .001 [0.03] TO 0.08 Cu PLATING TO ACHIEVE  $\varnothing 1.02 \pm 0.07$  HOLE.

⑩ "DIM XXX" TO BE DETERMINED BY THE CUSTOMER.

⑪ CONNECTOR KEEP-OUT ZONE.

12. CUSTOMER SUPPLIES (2) #4-40 UNC SCREWS, HARDWARE TO MOUNT HEADER TO PC BOARD.

13. FOR PRESS FIT APPLICATION USE FCI CAM TOOL 430169-XXX.

|             |                |            |                |                        |                |               |              |          |           |     |   |
|-------------|----------------|------------|----------------|------------------------|----------------|---------------|--------------|----------|-----------|-----|---|
| dr          | Julia Wang     | 2011/09/08 | projection<br> | MM<br>                 | size           | A4            | scale        | 1:1      |           |     |   |
| eng         | Julia Wang     | 2011/09/13 |                |                        | ecn no         | -             |              |          |           |     |   |
| chr         | -              | -          |                |                        | product family | PwrBlade      | rel level    | Released |           |     |   |
| appr        | Pei-Ming Zheng | 2011/09/14 |                |                        | title          | 5P + 16S + 5P |              | dwg no   | 51963-075 | rev | A |
| www.fci.com |                | cat. no.   | -              | Product - Customer Drw |                |               | sheet 4 of 4 |          |           |     |   |