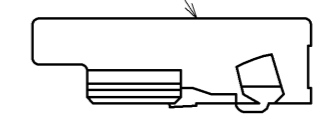


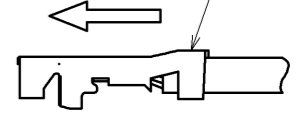
5> FIGURE OF INSERTION

HORIZONTALLY ○

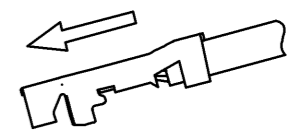
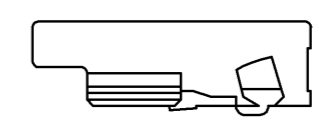
DF57A-+S-1.2C  
DF57AH-+S-1.2C



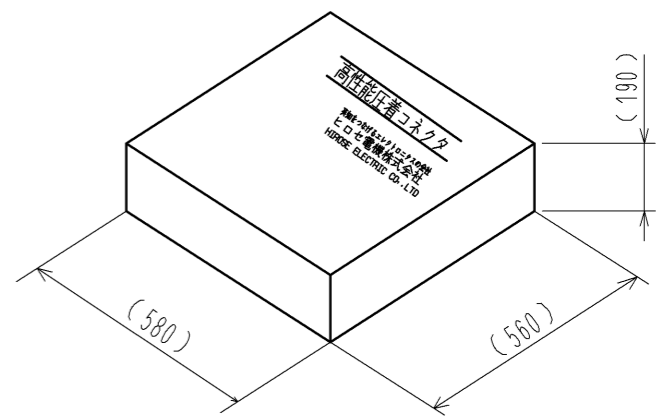
DF57-2628SCF(41)



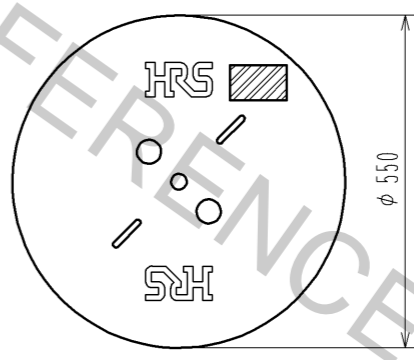
DIAGONAL ×



2> STYLE AND DIMENSION OF BOX



2> STYLE AND DIMENSION OF REEL

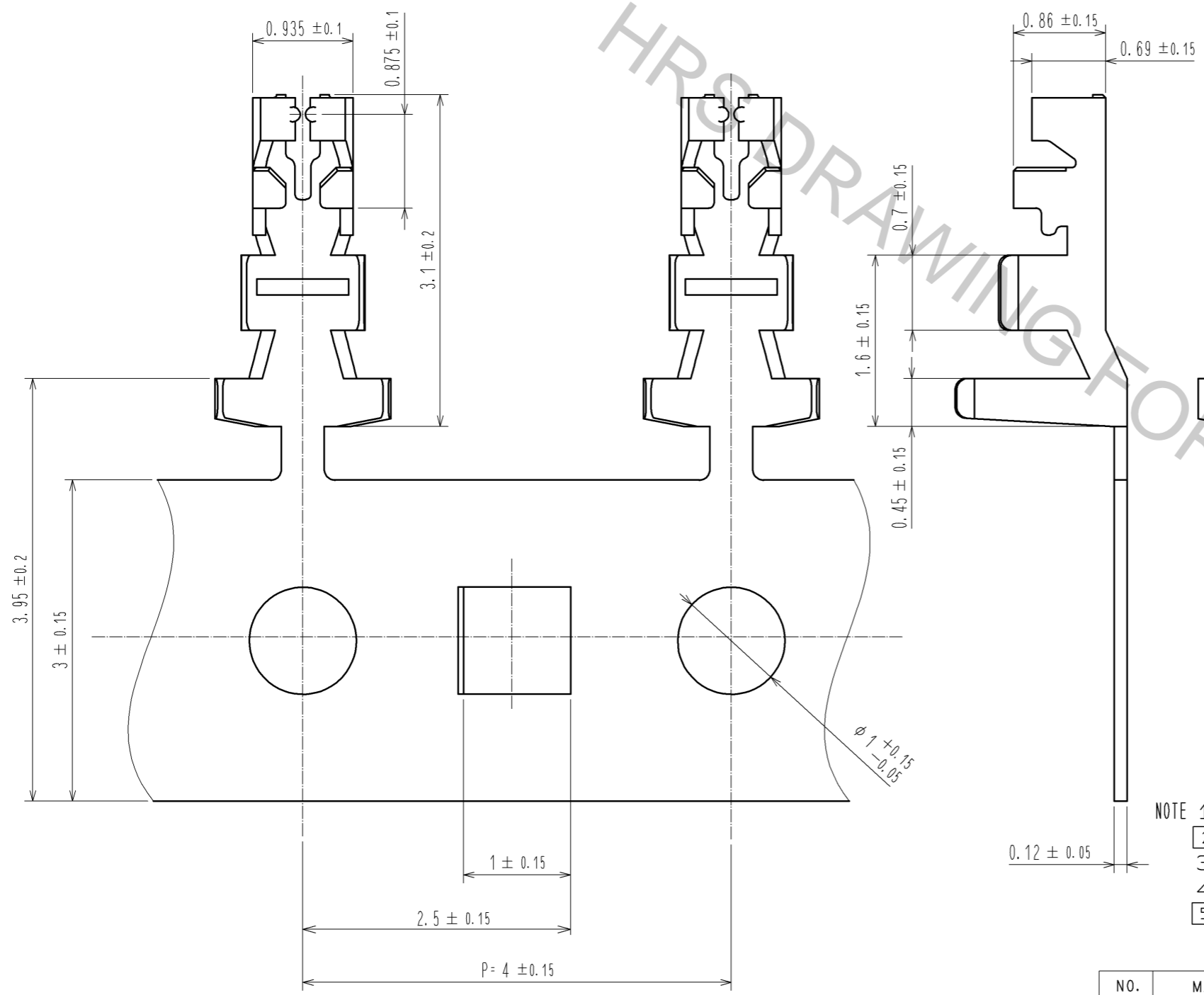


DETAIL OF PART No. LABEL

HRS		検査
品名コード	CL666-0003-3-41	
品名	DF57-2628SCF(41)	
数量	35000	
仕様		
LOT No.		
継ぎ目		

SECTION  
Lot No.  
SPECIFICATION  
QUANTITY  
PART No.  
CODE No.

- NOTE 1. 1RL:35000 CONTACTS.  
 2> STYLE OF REEL AND BOX SHOWS IN FIGURE.  
 3. A MAXIMUM OF 5 REELS ARE PACKED UP IN ONE BOX.  
 4. PLEASE BE SURE TO CHECK THE FORM OF CRIMPING USING A CABLE. WHEN YOU ADJUST APPLICATOR.  
 5> AVOID ANGLED INSERTION OF CRIMP CONTACT(DF57-2628SCF(41)) TO MAINTAIN PERFORMANCE RELIABILITY.



NO.	MATERIAL	FINISH	REMARKS	NO.	MATERIAL	FINISH	REMARKS		
				1	PHOSPHOR BRONZE		SURFACE:TIN PLATING 1 μmMIN		
UNITS	mm	SCALE	20:1	COUNT	△	DESCRIPTION OF REVISIONS	DESIGNED	CHECKED	DATE
APPROVED : KI. AKIYAMA		12.11.17		DRAWING NO.		EDC3-332439-02			
CHECKED : HK. UMEHARA		12.11.17		PART NO.		DF57-2628SCF(41)			
DESIGNED : TS. KUMAZAWA		12.11.16		CODE NO.		CL666-0013-3-41			
DRAWN : MI. SAKIMURA		12.11.15							