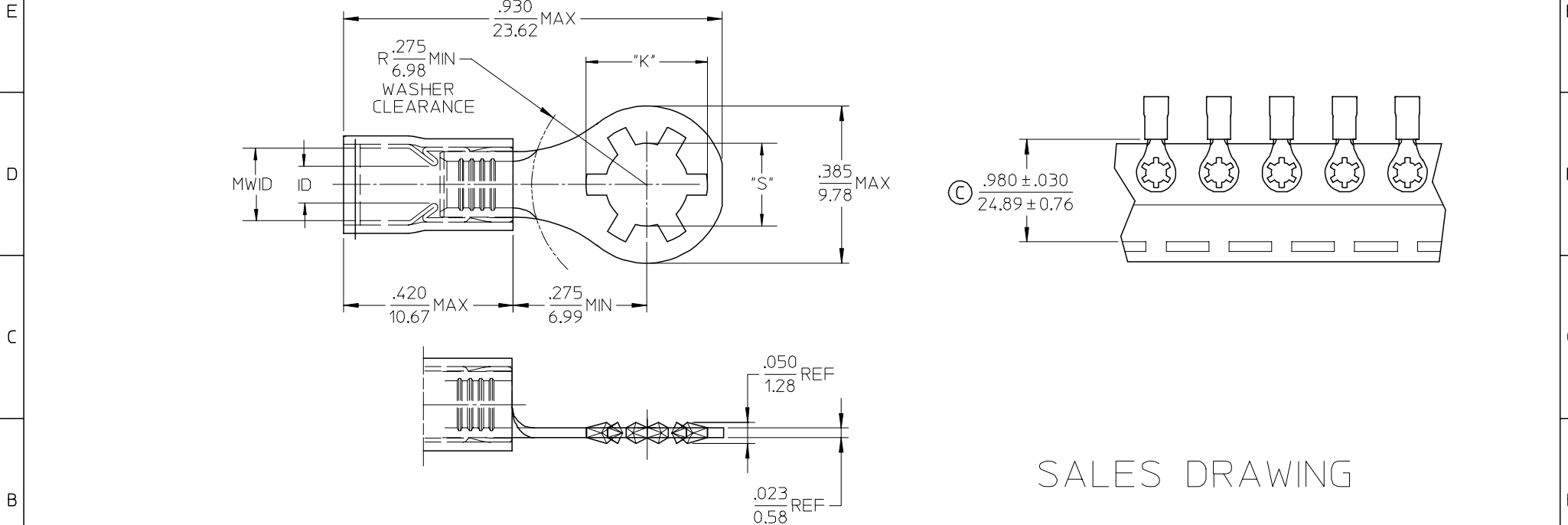


| MATERIAL NO. | ENG. NO. | MATERIAL NO. TAPE MOUNTED | ENG. NO. TAPE MOUNTED | STUD SIZE | "S" ±.005/.127 | "K" REF DIA | WIRE RANGE AWG / MM ² | INSULATION COLOR | I.D. MIN | MWID |
|--------------|--------------|---------------------------|-----------------------|-----------|----------------|-------------|----------------------------------|------------------|-----------|-----------|
| 190770009 | SRA-S-829-06 | 190770010 | SRA-S-829-06T | 6 | .146 (3.71) | .236 (5.99) | 22-18/.25-1.3 | RED | .062/1.57 | .138/3.51 |
| 190770011 | SRA-S-829-08 | 190770012 | SRA-S-829-08T | 8 | .173 (4.39) | .263 (6.68) | | | | |
| 190770013 | SRA-S-829-10 | 190770014 | SRA-S-829-10T | 10 | .198 (5.03) | .288 (7.32) | | | | |
| 190770021 | SRB-S-829-06 | 190770022 | SRB-S-829-06T | 6 | .146 (3.71) | .236 (5.99) | 16-14/1.0-2.6 | BLUE | .086/2.18 | .169/4.29 |
| 190770023 | SRB-S-829-08 | 190770024 | SRB-S-829-08T | 8 | .173 (4.39) | .263 (6.68) | | | | |
| 190770025 | SRB-S-829-10 | 190770026 | SRB-S-829-10T | 10 | .198 (5.03) | .288 (7.32) | | | | |



SALES DRAWING

- NOTES:
1. MATERIAL: STEEL.
PLATING: ELECTROPLATE TIN.
 2. FERRULE: BRASS ELECTROPLATE TIN.
PLATING: ELECTROPLATE TIN.
 3. INSULATION: NYLON.
 4. MWID=MAXIMUM WIRE INSULATION DIA.
 5. ALL DIMENSIONS IN INCHES (MM).
 6. ALL COMPONENTS ARE ROHS COMPLIANT. (C)

| MODIFY TOL. EC NO: ETC2006-0425 DRWN: CYORK 2006/05/08 CHKD: JMACNEIL 2006/05/11 APPR: RDEROSS 2006/05/11 | QUALITY SYMBOLS | GENERAL TOLERANCES (UNLESS SPECIFIED) | SCALE 1:1 | DESIGN UNITS INCH | THIRD ANGLE PROJECTION | REVISE ON CAD ONLY | | | | | | | | | | | | | | | |
|---|-------------------------------|--|--|--|------------------------|--------------------|-------|-------|----------|-------|--------|----------|--------|-------|---------|--------|-------|-----------------------|-------|---|--|
| | DESCRIPTION | <table border="1"> <thead> <tr> <th></th> <th>mm</th> <th>INCH</th> </tr> </thead> <tbody> <tr> <td>4 PLACES</td> <td>± ---</td> <td>± ---</td> </tr> <tr> <td>3 PLACES</td> <td>± ---</td> <td>± .005</td> </tr> <tr> <td>2 PLACES</td> <td>± 0.13</td> <td>± .01</td> </tr> <tr> <td>1 PLACE</td> <td>± 0.25</td> <td>± ---</td> </tr> </tbody> </table> ANGULAR ±1/2° | | mm | INCH | 4 PLACES | ± --- | ± --- | 3 PLACES | ± --- | ± .005 | 2 PLACES | ± 0.13 | ± .01 | 1 PLACE | ± 0.25 | ± --- | DIMENSION STYLE IN/MM | TITLE | AVIKRIMP STEEL STAR RING TONGUE TERMINALS | |
| | | mm | INCH | | | | | | | | | | | | | | | | | | |
| | 4 PLACES | ± --- | ± --- | | | | | | | | | | | | | | | | | | |
| 3 PLACES | ± --- | ± .005 | | | | | | | | | | | | | | | | | | | |
| 2 PLACES | ± 0.13 | ± .01 | | | | | | | | | | | | | | | | | | | |
| 1 PLACE | ± 0.25 | ± --- | | | | | | | | | | | | | | | | | | | |
| ▼ -0 ▽ -0 | DRAFT WHERE APPLICABLE | DRAWN BY DMYRICK DATE 03/12/22 CHECKED BY SBEITZEL DATE 03/12/22 APPROVED BY RDEROSS DATE 03/12/22 | DIMENSION STYLE IN/MM DRAWN BY DMYRICK DATE 03/12/22 CHECKED BY SBEITZEL DATE 03/12/22 APPROVED BY RDEROSS DATE 03/12/22 | Molex MATERIAL NO. SEE CHART DOCUMENT NO. SD-19077-002 | SHEET NO. 1 OF 1 | | | | | | | | | | | | | | | | |
| REV | MUST REMAIN WITHIN DIMENSIONS | THIS DRAWING CONTAINS INFORMATION THAT IS PROPRIETARY TO MOLEX INCORPORATED AND SHOULD NOT BE USED WITHOUT WRITTEN PERMISSION | | | | | | | | | | | | | | | | | | | |