


# SACC-M12FRB-5SC SH

Order No.: 1513606

<http://eshop.phoenixcontact.de/phoenix/treeViewClick.do?UID=1513606>

Sensor/actuator connector, female, angled, 5-pos., M12, shielded, B-coded, spring-cage connection, metal knurl, cable cross section max. 8 mm

| Commercial data          |  |
|--------------------------|--|
| GTIN (EAN)               | <br>4 017918 946685 |
| sales group              | D124   |
| Pack                     | 1 pcs.   |
| Customs tariff           | 85366990   |
| Catalog page information | Page 38 (PC-2007)  |

**Product notes**

WEEE/RoHS-compliant since:  
12/01/2005



<http://www.download.phoenixcontact.com>  
Please note that the data given here has been taken from the online catalog. For comprehensive information and data, please refer to the user documentation. The General Terms and Conditions of Use apply to Internet downloads.

| Technical data        |        |
|-----------------------|--------|
| <b>General data</b>   |        |
| Rated current at 40°C | 4 A    |
| Rated voltage         | 60 V   |
| Number of positions   | 5      |
| Volume resistance     | ≤ 8 mΩ |

---

|                                 |  |
|---------------------------------|--|
| Insulation resistance           | ≥ 100 MΩ   |
| Ambient temperature (operation) | -40 °C ... 85 °C (Male connector / female connector) |

**General characteristics**

|  |                              |
|--|------------------------------|
| Coding                                 | B - inverse                  |
| Surge voltage category                 | II                           |
| Pollution degree                       | 3                            |
| Degree of protection                   | IP67                         |
| Contact material                       | CuSn                         |
| Contact surface material               | Ni/Au                        |
| Contact carrier material               | PA 66                        |
| Material of grip body                  | Zinc die-cast, nickel-plated |
| Material, knurls                       | Nickel-plated brass          |
| Sealing material                       | NBR                          |
| Type of connection                     | Spring-cage conn.            |
| Conductor cross section stranded min.  | 0.14 mm <sup>2</sup>         |
| Conductor cross section stranded max.  | 0.5 mm <sup>2</sup>          |
| Conductor cross section AWG/kcmil min. | 26                           |
| Conductor cross section AWG/kcmil max  | 20                           |
| External cable diameter                | 4 mm ... 8 mm                |
| Status display                         | No                           |

**Certificates / Approvals**



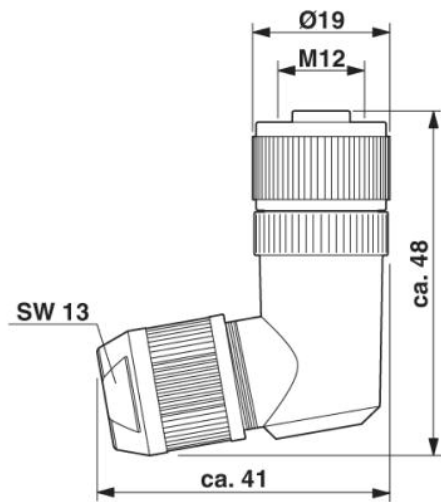
Certification

CUL, UL

Diagrams/Drawings

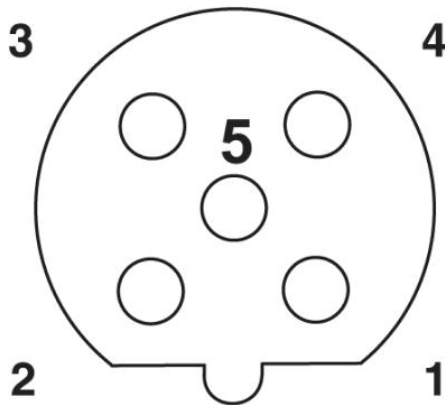
Dimensioned drawing

M12 x 1 female connector, angled, shielded



Schematic diagram

Pin assignment M12 socket, 5-pos., B-coded, view socket side



**Address**

PHOENIX CONTACT Inc., USA  
586 Fulling Mill Road  
Middletown, PA 17057, USA  
Phone (800) 888-7388  
Fax (717) 944-1625  
<http://www.phoenixcon.com>



© 2010 Phoenix Contact  
Technical modifications reserved;