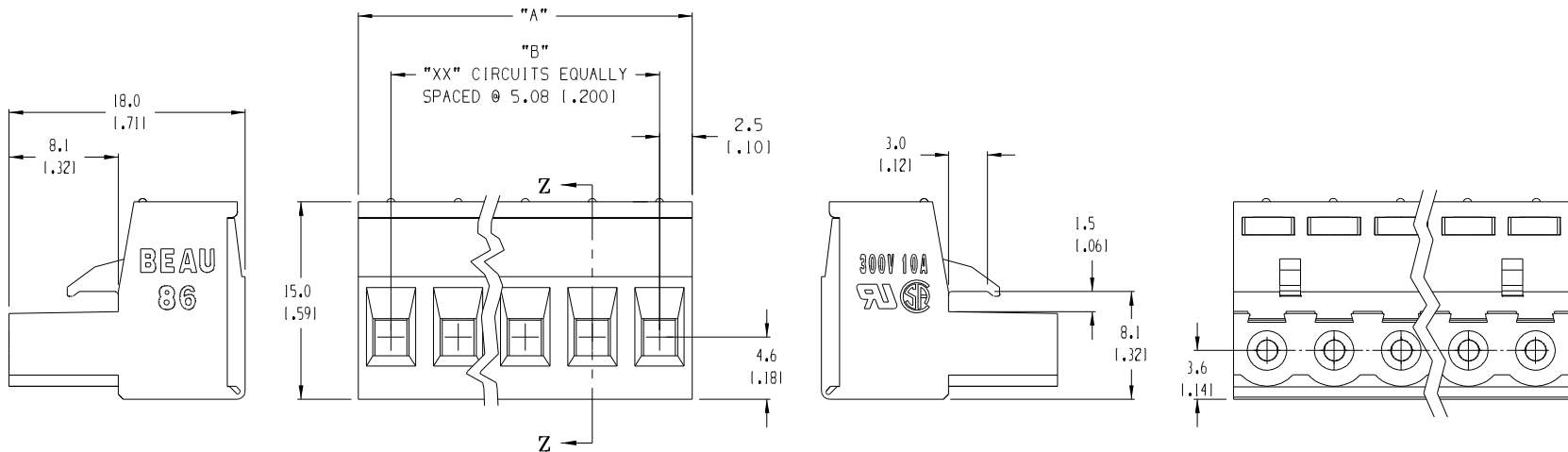
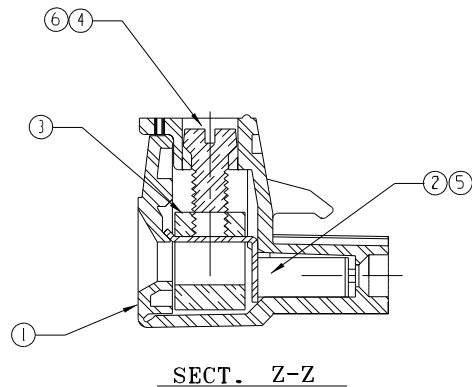
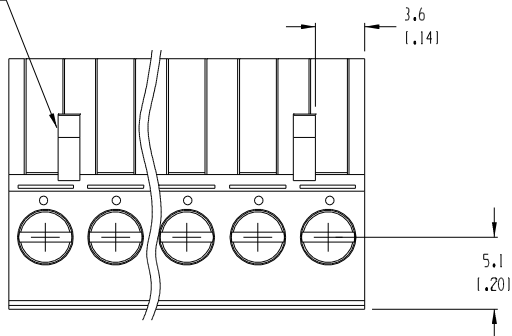


NOTES:

1. MATERIAL: SEE TABLE
2. FINISHES: SEE TABLE
3. PRODUCT SPECIFICATION: NOT REQUIRED
4. PACKAGING: NOT REQUIRED
5. MATES WITH: 5.08mm (.200in) BEAU EUROSTYLE HEADERS (39860 SERIES OR BEAU SERIES 86 HEADERS)
6. "XX" REFERS TO THE QUANTITY OF CIRCUITS.
7. SEE SHEET 2 FOR LENGTH TABLE AND CIRCUIT IMPRINTING OPTIONS.

39860-0102
ONE LATCH DETAIL
POSITIONED ON THIS END.



ITEM	QTY.	DESCRIPTION	MATERIAL	FINISH
6	"XX"	SCREW, M3 X 0.5 (-G30 OPT.)	PHOSPHOR BRONZE	TIN PLATE
5	"XX"	TERMINAL (-G30 OPTION)	PHOSPHOR BRONZE	GOLD PLATE
4	"XX"	SCREW, M3 X 0.5	STEEL	ZN, CLEAR CHROMATE
3	"XX"	CAGE CLAMP	BRASS	NICKEL
2	"XX"	TERMINAL	PHOSPHOR BRONZE	HOT TIN DIP
1	1	INSULATOR	THERMO-PLASTIC	BLACK/GREEN

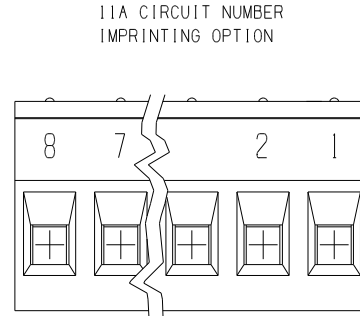
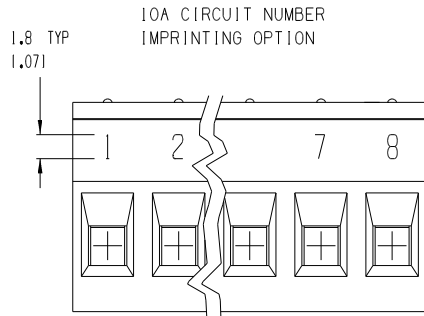
EC NO. ECN 3884	DRWN: JF 10-21-04	QUALITY SYMBOLS
CHK: []	APPR: []	MAJOR []
REV []	DESCRIPTION []	CRITICAL []
		SPC []

GENERAL TOLERANCES: (UNLESS SPECIFIED)	
4 PLACES	±.0015
3 PLACES	±.005
2 PLACES	±.01
1 PLACE	±.3
ANGULAR: ±2°	
DRAFT WHERE APPLICABLE MUST REMAIN WITHIN DIMENSIONS	

SCALE 3:1	DESIGN UNITS <input type="checkbox"/> mm <input checked="" type="checkbox"/> INCH
DRAWN BY & DATE R. KEMP 12-6-01	
CHECKED BY & DATE P. WALTZ 12-6-01	
APPROVED BY & DATE L. ROTHMAUS 12-6-01	
CAD FILENAME 8685XX	MATERIAL NO. SEE SHT. 2

PROJECT NO. N/A	SHT 1	REV
DIMENSIONS: <input checked="" type="checkbox"/> mm <input type="checkbox"/> INCH <input type="checkbox"/> mm ONLY	REVISE ON CAD ONLY	
TITLE: PLUGGABLE SR BTS ASSY, (.200 CENTERS) WITH KEY FEATURE		
MOLEX INCORPORATED		
DRAWING NO. SD-39860-001	SHEET NO. 1 OF 2	
THIS DRAWING CONTAINS INFORMATION THAT IS PROPRIETARY TO MOLEX INCORPORATED AND SHOULD NOT BE USED WITHOUT WRITTEN PERMISSION.		SIZE B

NUMBER OF CIRCUITS "XX"	DIM "A"	DIM "B"	MATERIAL NO. (GREEN)	MATERIAL NO. (STD.)	MATERIAL NO. (-G30 OPTION)	MATERIAL NO. (-10A OPTION)	MATERIAL NO. (-11A OPTION)	MATERIAL NO. BTS	MATERIAL NO. GREEN BTS	ENG. NO. BTS	ENG. NO. GREEN BTS
02	.400	.200	39860-3102	39860-0102	39861-0102	39862-0102	39863-0102	39868-1201	39868-3202	8683-0201-U000	8683-0203-U000
03	.600	.400	39860-3103	39860-0103	39861-0103	39862-0103		39868-1203	39868-3203	8683-0301-U000	8683-0303-U000
04	.800	.600	39860-3104	39860-0104	39861-0104	39862-0104	39863-0104	39868-1204	39868-3204	8683-0401-U000	8683-0403-U000
05	1.000	.800	39860-3105	39860-0105	39861-0105	39862-0105		39868-1205	39868-3205	8683-0501-U000	8683-0503-U000
06	1.200	1.000	39860-3106	39860-0106	39861-0106	39862-0106		39868-1206	39868-3206	8683-0601-U000	8683-0603-U000
07	1.400	1.200	39860-3107	39860-0107	39861-0107	39862-0107		39868-1207	39868-3207	8683-0701-U000	8683-0703-U000
08	1.600	1.400	39860-3108	39860-0108	39861-0108	39862-0108	39863-0108	39868-1208	39868-3208	8683-0801-U000	8683-0803-U000
09	1.800	1.600	39860-3109	39860-0109	39861-0109		39863-0109	39868-1209	39868-3209	8683-0901-U000	8683-0903-U000
10	2.000	1.800	39860-3110	39860-0110	39861-0110	39862-0110		39868-1210	39868-3210	8683-1001-U000	8683-1003-U000
11	2.200	2.000	39860-3111	39860-0111	39861-0111			39868-1211	39868-3211	8683-1101-U000	8683-1103-U000
12	2.400	2.200	39860-3112	39860-0112	39861-0112	39862-0112	39863-0112	39868-1212	39868-3212	8683-1201-U000	8683-1203-U000
13	2.600	2.400	39860-3113	39860-0113	39861-0113	39862-0113		39868-1213	39868-3213	8683-1301-U000	8683-1303-U000
14	2.800	2.600	39860-3114	39860-0114	39861-0114	39862-0114	39863-0114	39868-1214	39868-3214	8683-1401-U000	8683-1403-U000
15	3.000	2.800	39860-3115	39860-0115	39861-0115	39862-0115		39868-1215	39868-3215	8683-1501-U000	8683-1503-U000
16	3.200	3.000	39860-3116	39860-0116	39861-0116	39862-0116		39868-1216	39868-3216	8683-1601-U000	8683-1603-U000



EC NO. SEE SHEET 1 DRAWN: CH:YK APPR:	QUALITY SYMBOLS MAJOR CRITICAL SPC S	GENERAL TOLERANCES: (UNLESS SPECIFIED) mm INCH 4 PLACES ±.0015 3 PLACES ±.038 ±.005 2 PLACES ±.13 ±.01 1 PLACE ±.3 ANGULAR: ±2° DRAFT WHERE APPLICABLE MUST REMAIN WITHIN DIMENSIONS	SCALE 3:1 DESIGN UNITS <input type="checkbox"/> mm <input checked="" type="checkbox"/> INCH DRAWN BY & DATE R. KEMP 12-6-01 CHECKED BY & DATE P. WALTZ 12-6-01 APPROVED BY & DATE L. ROTHHAUS 12-6-01 CAD FILENAME 8685XX	THIRD ANGLE PROJECTION TITLE: PLUGGABLE SR BTS ASSY, (.200 CENTERS) WITH KEY FEATURE MOLEX INCORPORATED	PROJECT NO. N/A DIMENSIONS: <input checked="" type="checkbox"/> mm <input type="checkbox"/> INCH <input type="checkbox"/> mm <input type="checkbox"/> INCH SHT REV REVISE ON CAD ONLY	MATERIAL NO. SEE CHART	DRAWING NO. SD-39860-001	SHEET NO. 2 OF 2	SIZE B	
	THIS DRAWING CONTAINS INFORMATION THAT IS PROPRIETARY TO MOLEX INCORPORATED AND SHOULD NOT BE USED WITHOUT WRITTEN PERMISSION.									
	THIS DRAWING CONTAINS INFORMATION THAT IS PROPRIETARY TO MOLEX INCORPORATED AND SHOULD NOT BE USED WITHOUT WRITTEN PERMISSION.									
	THIS DRAWING CONTAINS INFORMATION THAT IS PROPRIETARY TO MOLEX INCORPORATED AND SHOULD NOT BE USED WITHOUT WRITTEN PERMISSION.									