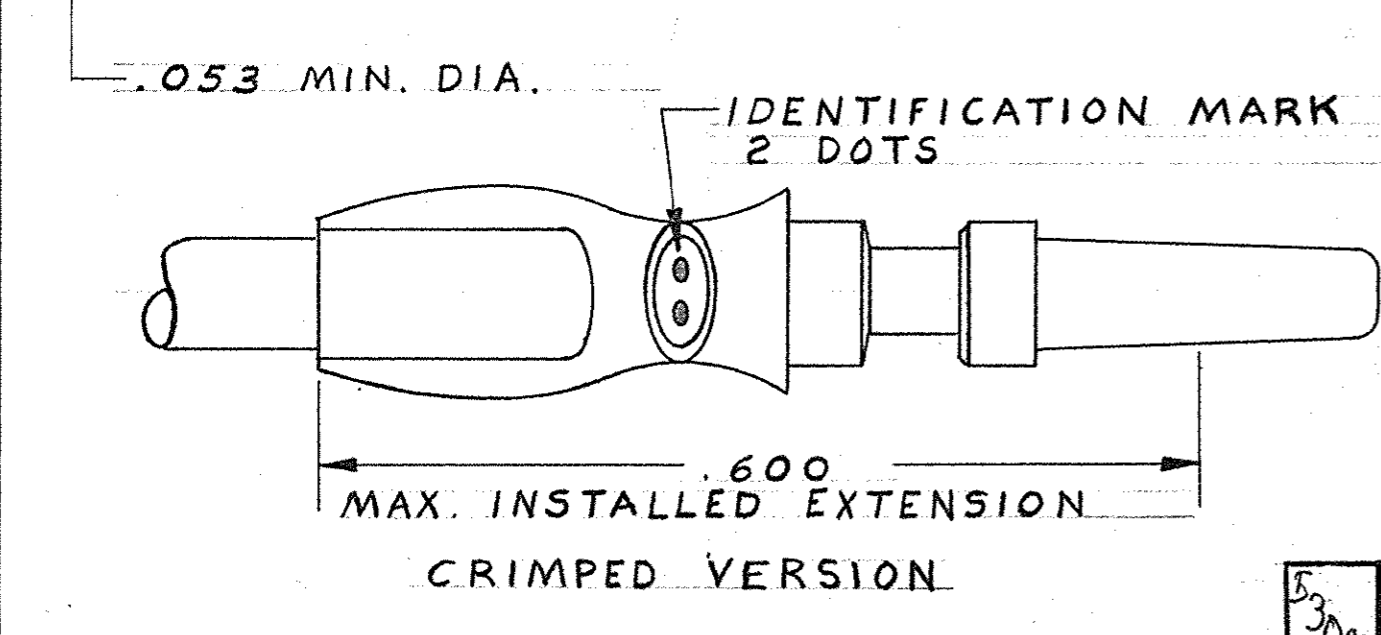
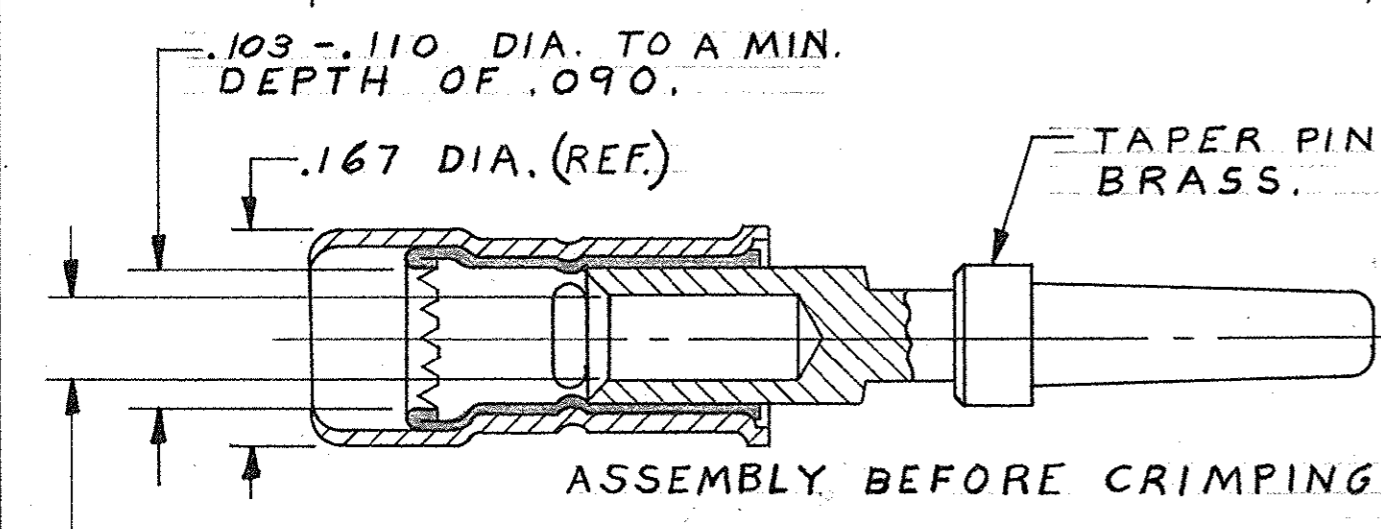
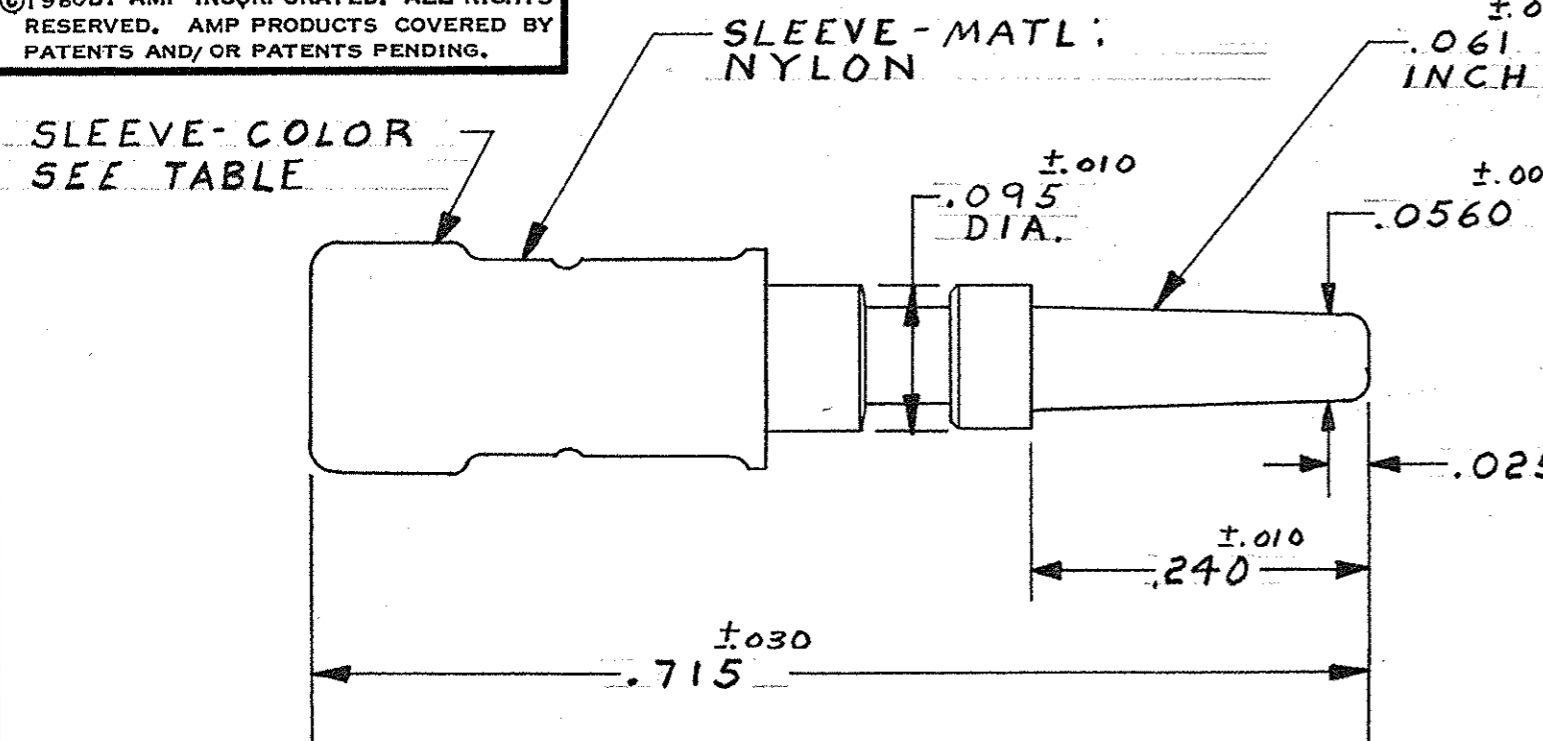


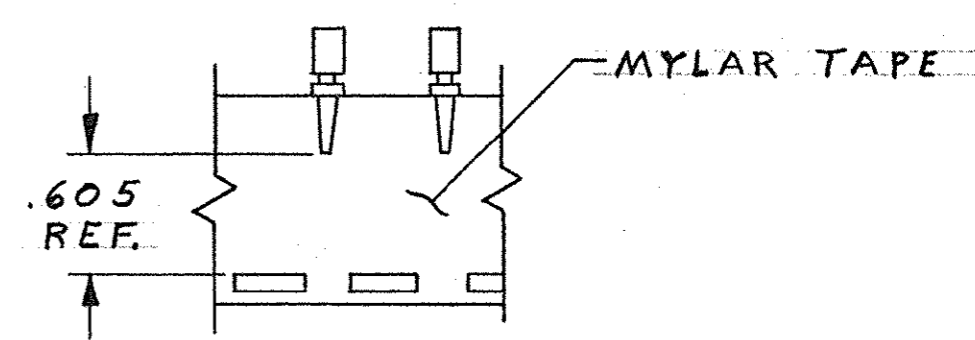
NUMBER 42575

©1960 BY AMP INCORPORATED. ALL RIGHTS RESERVED. AMP PRODUCTS COVERED BY PATENTS AND/OR PATENTS PENDING.



REVISIONS				
ZONE	LTR	DESCRIPTION	DATE	APPROVED
	N-1	REDRAWN AND REVISED 1678	3-25-8	M.S. J.H.
3A	P	LOC SWASAB, DIST 12 WAS 39 ECN 9347	11-7-72	JP
3B	R	ADDED 1-42575-0 ECN 7986	2-25-75	CFB
	S	BRIGHT TIN-LEAD WAS TIN EA 1818	6-18-81	DS
	T	SLEEVE COLOR WAS WHITE ECN 52545	11-15-83	DS
	U	OBSOLETE - 5 & -9 ECN 52954	2-19-85	JM
	V	OBSOLETE - 7 & 1-0 ECN 53379	11-22-86	RS
	W	REV PER DF-0257	1-16-88	MS
	Y	REV PER OH14-0139-05	1-26-06	PY RW

1. INS. RANGE: .060 - .100 DIA.  
WIRE RANGE: 20-18



TAPE MOUNTED ASSY. NO'S.  
42575-6 THRU 1-42575-0.

PART NO.	FINISH	SLEEVE-COLOR
5-42575-1	.0001 MATTE TIN	NATURAL
OBS 1-42575-0	.0001 GOLD OVER .0001 NICKEL	
OBS 42575-9	.0002 GOLD OVER .000050 NICKEL	
42575-8	.000030 GOLD OVER .000050 NICKEL	
OBS 42575-7	SILVER - .0002 THK.	
42575-6	BRIGHT TIN-LEAD .0002 THK	
OBS 42575-5	.0002 GOLD OVER .000050 NICKEL	
42575-4	.0001 GOLD OVER .0001 NICKEL	
42575-3	.000030 GOLD OVER .000050 NICKEL	
OBS 42575-2	SILVER - .0002 THK.	
42575-1	BRIGHT TIN-LEAD .0002 THK	

UNLESS OTHERWISE SPECIFIED DIM. ARE IN INCHES. TOLERANCES ON: DECIMALS ± .015 ANGLES ±	CONTRACT NO.	<b>AMP</b> AMP INCORPORATED HARRISBURG, PENNSYLVANIA
	DR <i>M. Smith</i> 3-22-68	
MATERIAL	CHK <i>S. Heide</i> 5/16/68	NAME PIN, TAPER, "53" SERIES P.I.D.G.
SEE CALLOUT	APPD <i>Rossett</i> 5/16/68	SIZE B
AMP INFO	DSGN APPD <i>W. F. Green</i> 5-16-68	CODE IDENT NO. 00779
LOC 5300	PRINT DIST DF	NUMBER 42575
HEAT TREAT	OTHER APPD	SCALE 8-1
FINISH SEE TABLE		WT CALC ACTUAL SHEET