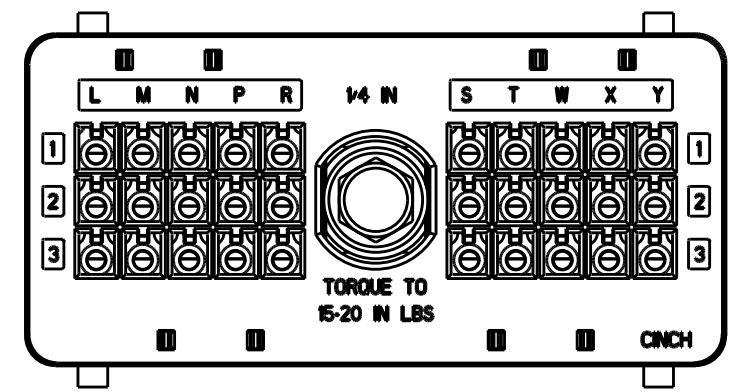
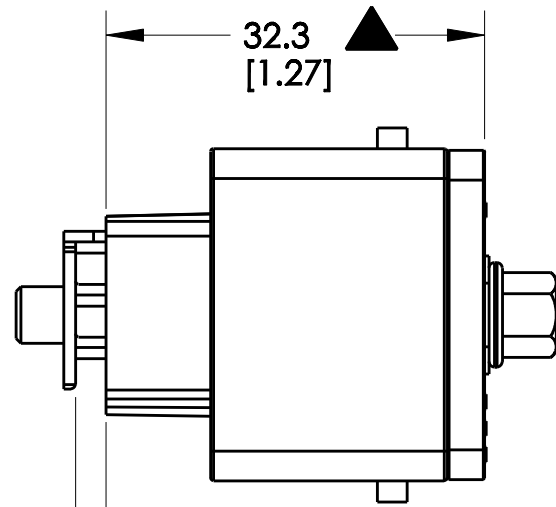
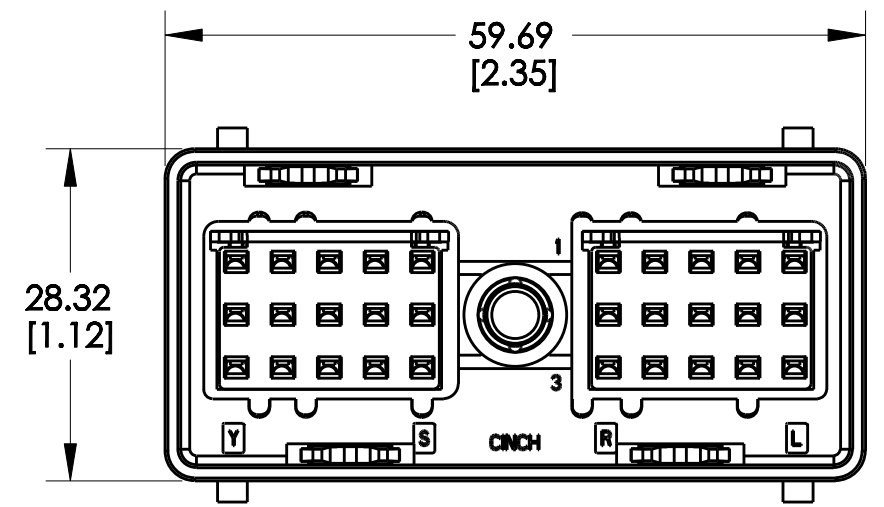


DRAWING REVISIONS (RELEASE DATE ON FILE)			
REV	DOCUMENT	APP	APPROVAL DATE
E	PER C.O.# 851	V.R.	02/09/10



**REAR VIEW**

2.6 REF  
[.10]  
**SECONDARY LOCK SHIPPED  
IN PRE-STAGED POSITION**

INSULATOR COLOR: BLACK  
(POLYAMIDE BASED  
ALLOY GLASS-FILLED)

DATE CODE

BACK PLATE  
COLOR: BLACK  
(GLASS-FILLED POLYESTER)

JACKSCREW, STEEL  
10-24 UNC THREAD  
(YELLOW TRIVALENT CHROMATE)

SECONDARY LOCK  
COLOR: WHITE  
(GLASS-FILLED POLYESTER)

**NOTES:**

1. ALL DIMENSIONS ARE IN MILLIMETERS. DIMENSIONS IN [ ] ARE IN INCHES.
2. FOR WIRE SIZE APPLICATION, CONSULT FACTORY.
3. FEMALE TERMINAL ORDERED SEPARATELY: 425 00 00 873/872.
4. MATES WITH CINCH HEADER CONNECTOR (CONSULT FACTORY).
5. SEAL PLUG ORDERED SEPARATELY: 581 00 00 011.
6. TOLERANCES UNLESS OTHERWISE SPECIFIED:  
.X ±0.5  
.XX ±0.25
7. SEALING RANGE FOR WIRE INSULATION DIA.;  
MAX 2.64MM (.104"), MIN 1.96MM (.077").
8. A TRIANGLE "▲" INDICATES CRITICAL FUNCTION DIMENSION.
9. IF TIE-WRAP DRESSING CONDUCTORS, CINCH RECOMMENDS A SPACING OF NO LESS THAN 2 INCHES BEHIND THE BACK PLATE.

UNITS <b>METRIC</b>		DESIGN ENGINEER <b>PRO/E</b> A. CAINES		DATE 05/03/01		<b>CINCH</b>		MODELED BY: J. DRYE	
DO NOT SCALE DRAWING		UNLESS OTHERWISE SPECIFIED: ALL DIMENSIONS ARE IN mm		TITLE <b>CONNECTOR ASSEMBLY SOCKET 30 POSITION</b>		CONTROL SPEC NUMBER POLAR B		1700 FINLEY RD LOMBARD, IL 60148	
CONFIDENTIAL THIS DOCUMENT IS THE PROPERTY OF CINCH. NEITHER THIS DOCUMENT NOR ANY OF THE INFORMATION CONTAINED IN IT MAY BE DUPLICATED OR DISCLOSED WITHOUT PRIOR WRITTEN CONSENT OF CINCH. ©COPYRIGHT 2010 CINCH		APPROVALS ON FILE		MATERIAL SEE VIEW		PROJECT NUMBER A14243		CAGE IDENT NO. 5810130028S	
CAD FILE NUMBER 5810130028S		DRAWING NUMBER 5810130028S		SCALE 1.500		SHEET 1 OF 1		SIZE B	