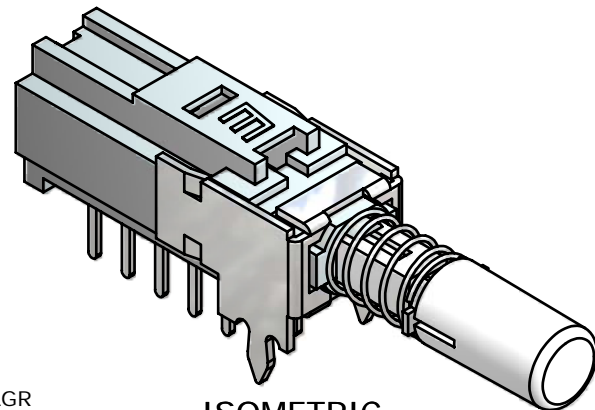
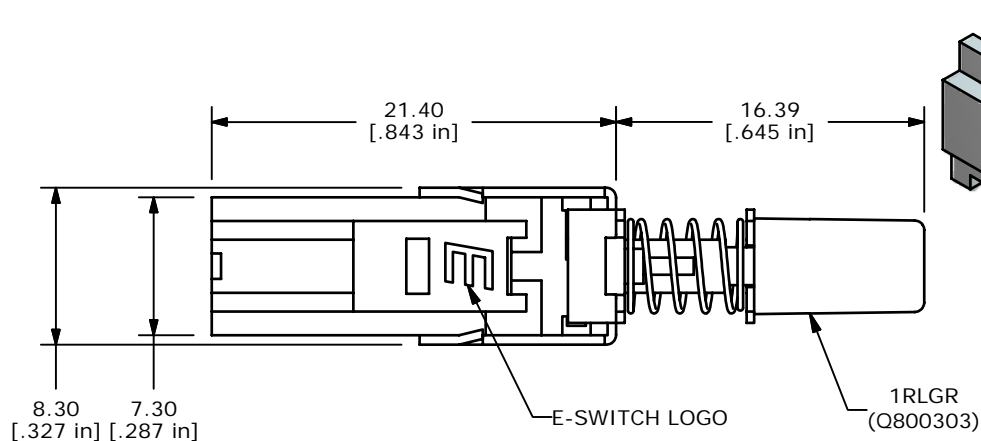
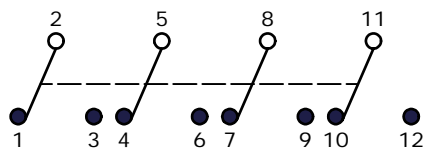


P.C. MOUNTING

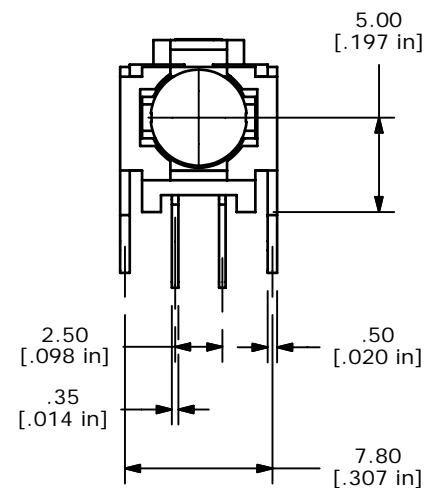
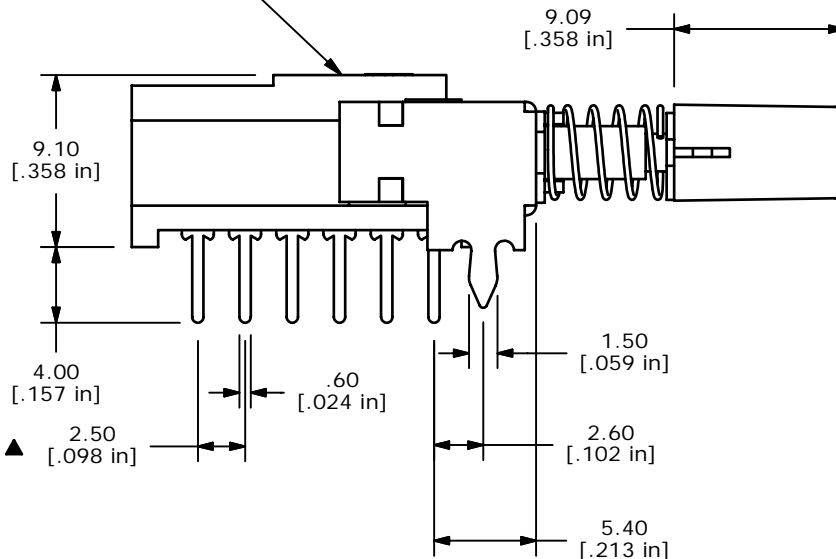


ISOMETRIC



CIRCUIT: 4PDT

PBH4UEEKZXXNAGV  
(Q960020)



- NOTES:
- ALL DIMENSIONS IN MM [INCH]
  - GENERAL TOLERANCE: X.X=±0.4  
X.XX=±0.25
  - TERM. NOS. FOR REFERENCE ONLY.
  - ▲ RATING 0.1A @30V DC
  - MATERIALS:  
CONTACT/TERMINALS: SILVER PLATE  
HOUSING: PBT UL94VO  
BASE: PA66 UL94VO  
ACTUATOR: PA66 UL94VO  
CAP: ABS UL94VO
  - CONTACT RESISTANCE: 100 mΩ (INITIAL)
  - ▲ TIMING: NON-SHORTING
  - OPERATING FORCE: 280±50GF
  - TRAVEL: LATCHING  
2MM TO LOCK  
3MM OVERALL
  - ELECTRICAL LIFE: 10000 CYCLES
  - OPERATING TEMP: -20°C TO +70°C
  - ▲ DENOTES CRITICAL PARAMETER.
  - 2002/95/EC (ROHS) COMPLIANT

**E-SWITCH®**

TITLE PBH4UEEKZXXNAGV1RLGR

|     |        |                         |           |    |
|-----|--------|-------------------------|-----------|----|
| A   | 16489  | RELEASED FOR PRODUCTION | 9/26/2006 | TN |
| REV | PCR NO | DESCRIPTION             | DATE      | BY |

|       |           |    |         |     |
|-------|-----------|----|---------|-----|
| SCALE | DATE      | DR | DWG     | REV |
| 2.5:1 | 9/26/2006 | TN | XQ0024P | A   |

THE INFORMATION CONTAINED IN THIS DOCUMENT IS PROPRIETARY TO E-SWITCH AND IS NOT TO BE COPIED OR TRANSFERRED