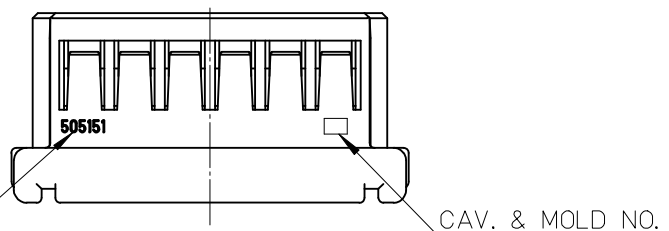
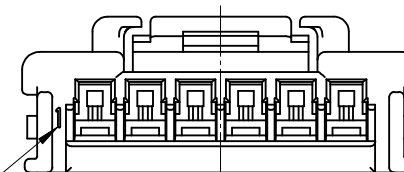
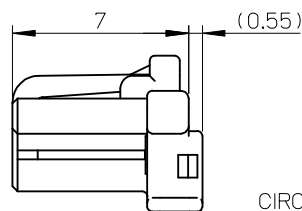
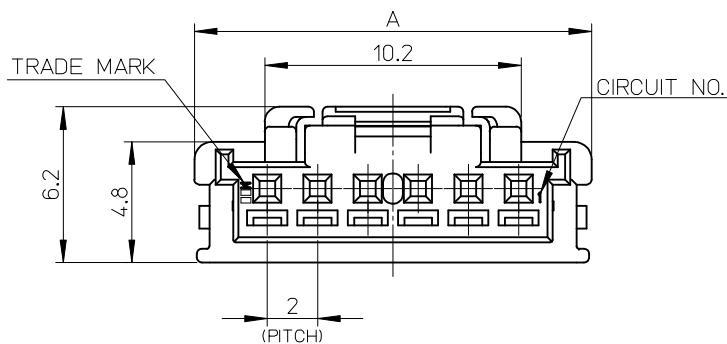
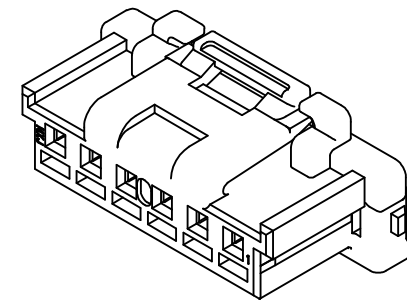
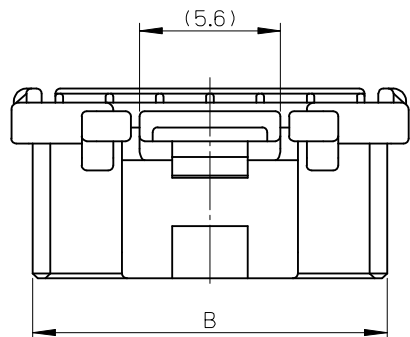


10 9 8 7 6 5 4 3 2 1



60KTS

NOTES

1. 材料: PA, UL94V-2  
MATERIAL: PA, UL94V-2
2. 色: 黒, 白, 詳細はシート4の表を参照  
COLOR: BLACK, WHITE, SEE CHART OF SHEET 4
3. 嵌合端子: 505153, 505487 シリーズ  
APPLICABLE TERMINAL: 505153, 505487 SERIES
4. 嵌合相手: 502352, 560020 シリーズ  
MATE WITH: 502352, 560020 SERIES
5. 適合リテーナー: 505152 シリーズ  
APPLICABLE RETAINER: 505152 SERIES
6. ELV 及びRoSH適合  
ELV AND RoSH COMPLIANT

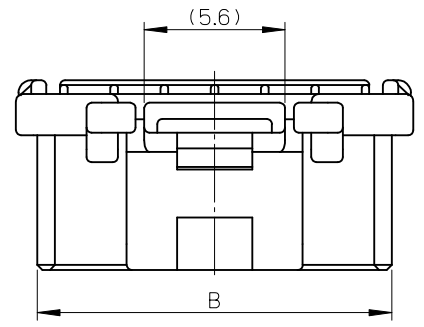
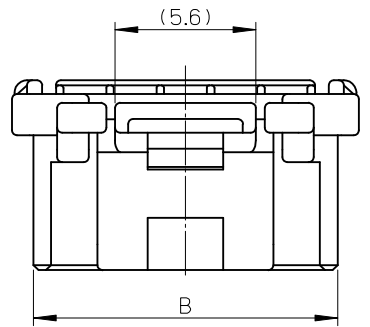
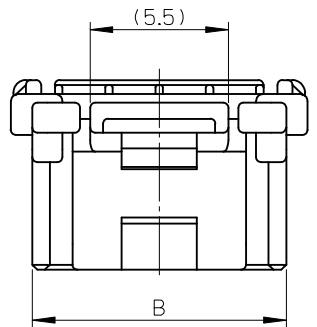
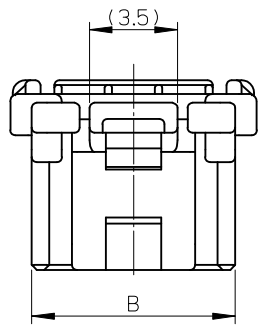
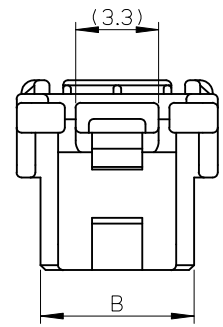
34	34	32.1	33.8	505151150*	15
32	32	30.1	31.8	505151140*	14
30	30	28.1	29.8	505151130*	13
28	28	26.1	27.8	505151120*	12
26	26	24.1	25.8	505151110*	11
24	24	22.1	23.8	505151100*	10
22	22	20.1	21.8	505151090*	9
22.6	20	18.1	19.8	505151080*	8
20.6	18	16.1	17.8	505151070*	7
18.6	16	14.1	15.8	505151060*	6
16.6	14	12.1	13.8	505151050*	5
14.6	12	10.1	11.8	505151040*	4
12.6	10	8.1	9.8	505151030*	3
10.9	8	6.1	8.0	505151020*	2
D	C	B	A	MATERIAL NO.	CIRCUIT

REVISED EC NO: J2016-1062 DRWN: KYAMADA02 CHKD: KASAKAWA APPR: TANEKO	DESCRIPTION 2016/04/08 2016/05/13 2016/05/23	GENERAL TOLERANCES (UNLESS SPECIFIED)		DIMENSION STYLE MM ONLY		SCALE 5:1	DESIGN UNITS METRIC	THIRD ANGLE PROJECTION		
		0.25 UNDER	±0.03	DRAWN BY MIKEDA01	DATE 2014/03/03	TITLE 2.0MM PITCH W/B CONN. RECEPTACLE HOUSING				
		0.25 OVER 0.5 UNDER	±0.05	CHECKED BY KASAKAWA	DATE 2014/03/04					
		0.5 OVER 1.0 UNDER	±0.1	APPROVED BY NUKITA	DATE 2014/03/28					
1.0 OVER 10 UNDER	±0.2	MATERIAL NO.		DOCUMENT NO.	SHEET NO.					
10 OVER 30 UNDER	±0.25	SEE SHEET 4		SD-505151-001		1 OF 4				
30 OVER	±0.3	DRAFT WHERE APPLICABLE MUST REMAIN WITHIN DIMENSIONS		SIZE A3	THIS DRAWING CONTAINS INFORMATION THAT IS PROPRIETARY TO MOLEX ELECTRONIC TECHNOLOGIES, LLC AND SHOULD NOT BE USED WITHOUT WRITTEN PERMISSION					

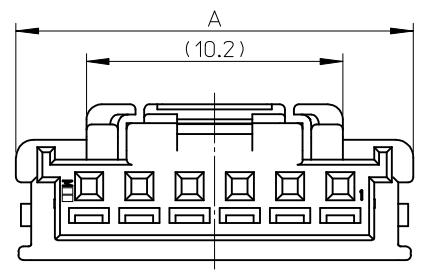
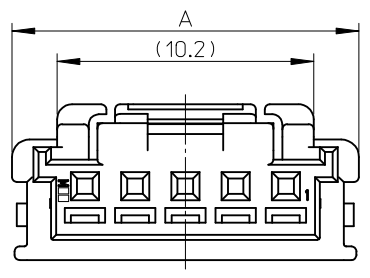
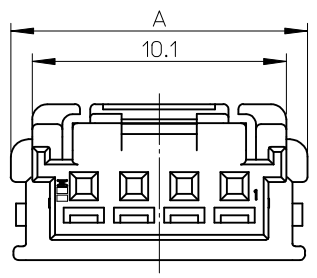
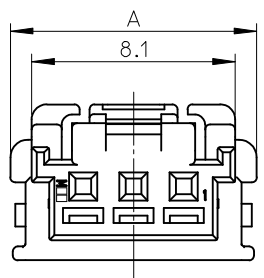
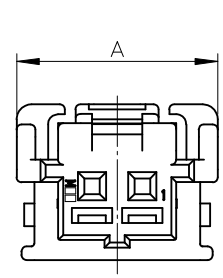
9 8 7 6 5 4 3 2 1

10 9 8 7 6 5 4 3 2 1

F



E



D

2 CKTS

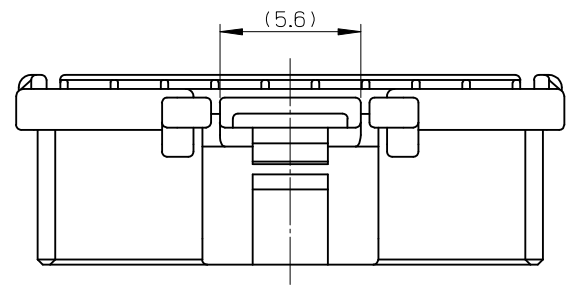
3 CKTS

4 CKTS

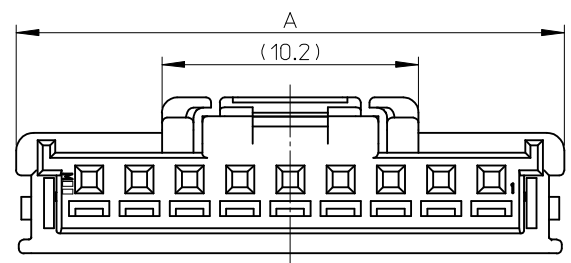
5 CKTS

6-8 CKTS

C



B



9 CKT OR MORE

A

REVISED EC NO: J2016-1062 DRWN: KYAMADA02 2016/04/08 CHKD: KASAKAWA 2016/05/13 APPR: TKANEKO 2016/05/23	GENERAL TOLERANCES (UNLESS SPECIFIED)		DIMENSION STYLE MM ONLY		SCALE 5:1	DESIGN UNITS METRIC	THIRD ANGLE PROJECTION
	0.25 UNDER	±0.03	DRAWN BY MIKEDA01	DATE 2014/03/03	TITLE 2.0MM PITCH W/B CONN. RECEPTACLE HOUSING		
	0.25 OVER 0.5 UNDER	±0.05	CHECKED BY KASAKAWA	DATE 2014/03/04			
	0.5 OVER 1.0 UNDER	±0.1	APPROVED BY NUKITA	DATE 2014/03/28	<b>molex</b> DOCUMENT NO. SD-505151-001 SHEET NO. 2 OF 4		
	1.0 OVER 30 UNDER	±0.25	SEE SHEET 4				
30 OVER	±0.3	MATERIAL NO.		THIS DRAWING CONTAINS INFORMATION THAT IS PROPRIETARY TO MOLEX ELECTRONIC TECHNOLOGIES, LLC AND SHOULD NOT BE USED WITHOUT WRITTEN PERMISSION			
ANGULAR ±3 °		DRAFT WHERE APPLICABLE MUST REMAIN WITHIN DIMENSIONS		SIZE A3			

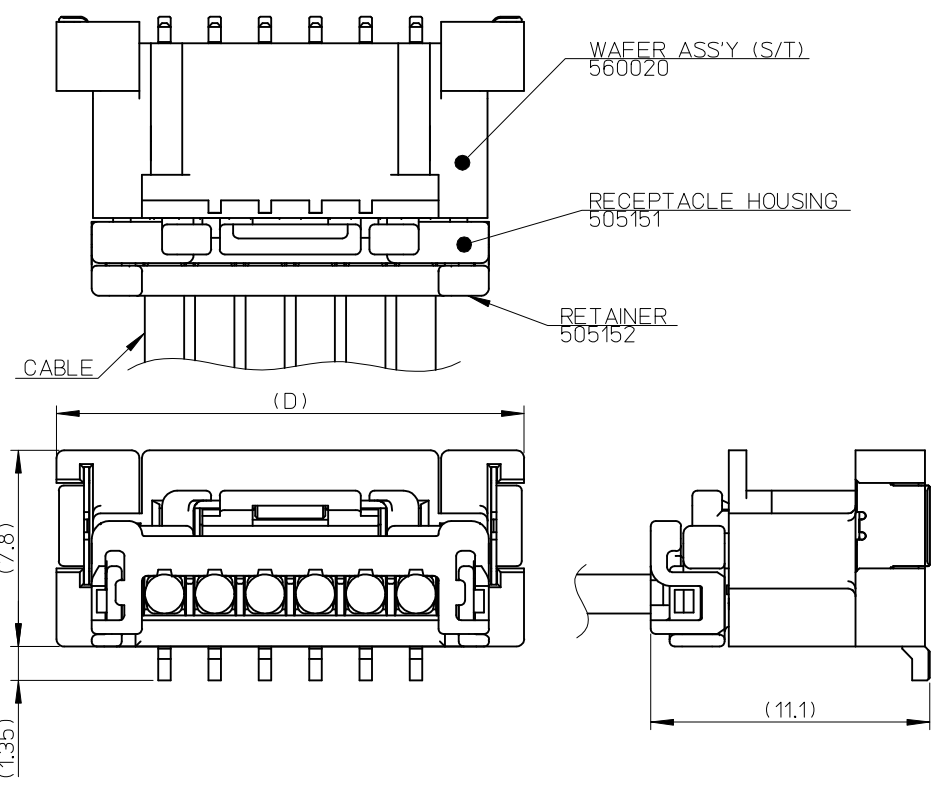
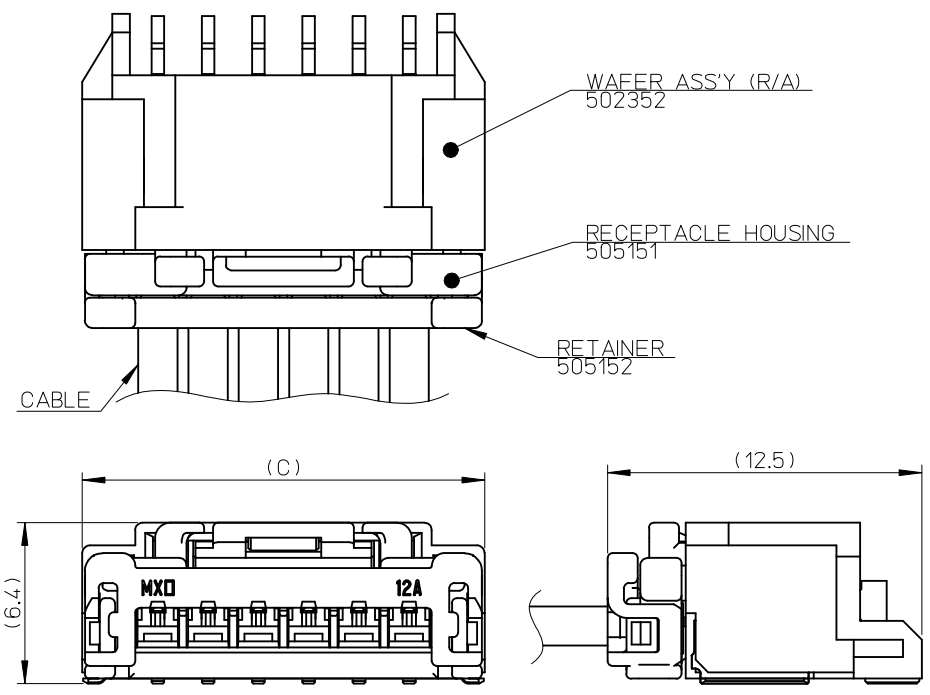
9 8 7 6 5 4 3 2 1

10 9 8 7 6 5 4 3 2 1

嵌合図

Right Angle: 502352 series

Straight: 560020 series



REVISED EC NO: J2016-1062 DRW: KYAMADA02 2016/04/08 CHK: KASAKAWA 2016/05/13 APPR: TAKANAKO 2016/05/23	GENERAL TOLERANCES (UNLESS SPECIFIED)		DIMENSION STYLE MM ONLY		SCALE 5:1	DESIGN UNITS METRIC	THIRD ANGLE PROJECTION
	0.25 UNDER	±0.03	DRAWN BY MIKEDA01	DATE 2014/03/03	TITLE 2.0MM PITCH W/B CONN. RECEPTACLE HOUSING		
	0.25 OVER 0.5 UNDER	±0.05	CHECKED BY KASAKAWA	DATE 2014/03/04			
	0.5 OVER 1.0 UNDER	±0.1	APPROVED BY NUKITA	DATE 2014/03/28	molex DOCUMENT NO. SD-505151-001 SHEET NO. 3 OF 4		
	1.0 OVER 10 UNDER	±0.2	MATERIAL NO. SEE SHEET 4				
	10 OVER 30 UNDER	±0.25	DRAFT WHERE APPLICABLE MUST REMAIN WITHIN DIMENSIONS		THIS DRAWING CONTAINS INFORMATION THAT IS PROPRIETARY TO MOLEX ELECTRONIC TECHNOLOGIES, LLC AND SHOULD NOT BE USED WITHOUT WRITTEN PERMISSION		
30 OVER	±0.3	SIZE A3					

9 8 7 6 5 4 3 2 1

WHITE	BLACK	HSG COLOR
5051511501	5051511500	15
5051511401	5051511400	14
5051511301	5051511300	13
5051511201	5051511200	12
5051511101	5051511100	11
5051511001	5051511000	10
5051510901	5051510900	9
5051510801	5051510800	8
5051510701	5051510700	7
5051510601	5051510600	6
5051510501	5051510500	5
5051510401	5051510400	4
5051510301	5051510300	3
5051510201	5051510200	2
MATERIAL NO.	MATERIAL NO.	CIRCUIT

REVISED EC NO: J2016-1062 DRWN: KYAMADA02 2016/04/08 CHKD: KASAKAWA 2016/05/13 APPR: KANEKO 2016/05/23	GENERAL TOLERANCES (UNLESS SPECIFIED)		DIMENSION STYLE <b>MM ONLY</b>		SCALE 5:1	DESIGN UNITS METRIC	THIRD ANGLE PROJECTION
	0.25 UNDER	± 0.03	DRAWN BY	DATE	TITLE 2.0MM PITCH W/B CONN. RECEPTACLE HOUSING		
	0.25 OVER 0.5 UNDER	± 0.05	MIKEDA01	2014/03/03			
	0.5 OVER 1.0 UNDER	± 0.1	CHECKED BY	DATE	DOCUMENT NO. <b>molex</b> SD-505151-001		
	1.0 OVER 10 UNDER	± 0.2	KASAKAWA	2014/03/04			
	10 OVER 30 UNDER	± 0.25	APPROVED BY	DATE	SHEET NO. 4 OF 4		
	30 OVER	± 0.3	NUKITA	2014/03/28			
ANGULAR ±3 °		MATERIAL NO.		THIS DRAWING CONTAINS INFORMATION THAT IS PROPRIETARY TO MOLEX ELECTRONIC TECHNOLOGIES, LLC AND SHOULD NOT BE USED WITHOUT WRITTEN PERMISSION			
DRAFT WHERE APPLICABLE MUST REMAIN WITHIN DIMENSIONS		SIZE A3					