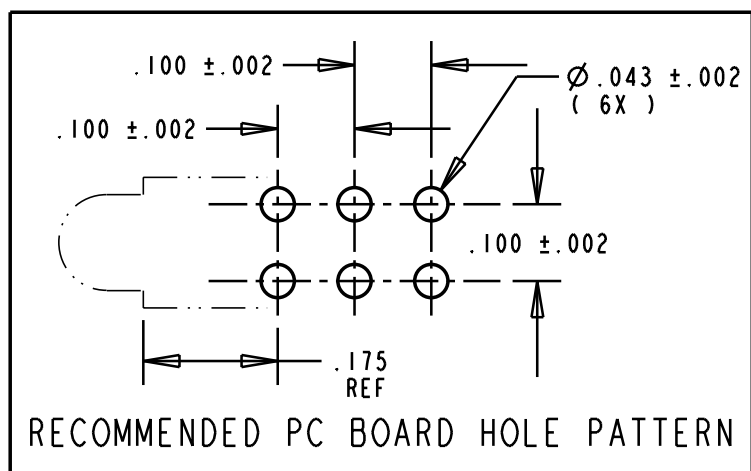


PART NUMBER and LEGEND	LED COLOR		
	POSITION 1	POSITION 2	POSITION 3
564-0700-813	YELLOW / GREEN	** BLANK **	GREEN (LOW CUR)

REV.	ECN NO.	REVISIONS	DRN.	CKD.	APP.	DATE
A	—	NEW RELEASE	TC			

NOTES:

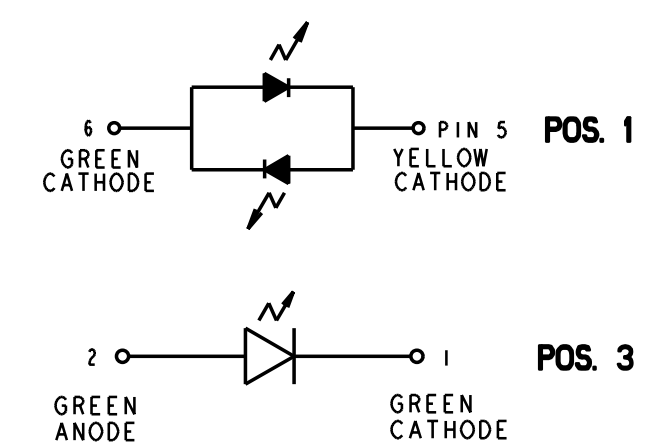
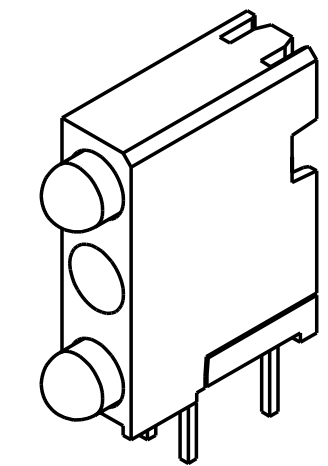
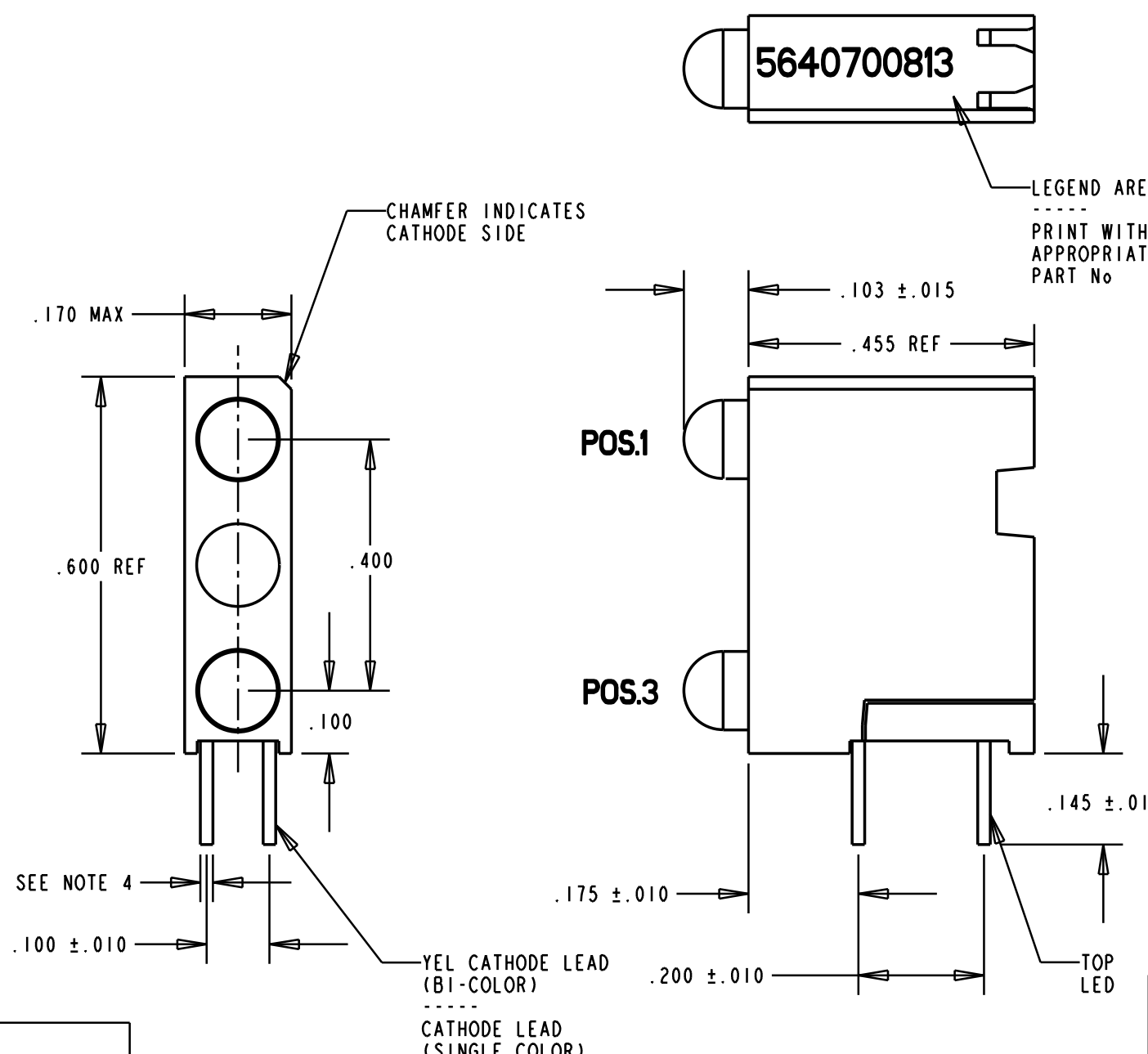
- LEADS TO FIT INTO HOLES SPACED AS PER HOLE PATTERN
- PIN NUMBERS FOR REFERENCE ONLY, DESIGNATION NON-EXISTENT ON PARTS.
- LEADS TO BE FREE OF DEFORMATION AFTER BENDING AND CUTTING
- LED LEAD DIMENSIONS SHOWN ARE MEASURED AT HOUSING EXIT
- .018 SQ.NOM. (SINGLE COLOR)  
.020 SQ.NOM. (BI-COLOR)
- DIALIGHT PART NUMBER: 564-0700-813



BI-COLOR LEDS  
OPERATING CHARACTERISTICS AT T<sub>A</sub> = 25 °C

SYMBOL	PARAMETER	COLOR	MIN	TYP	MAX	UNITS	TEST COND.
V <sub>F</sub>	FORWARD VOLTAGE	YELLOW		2.0	2.6	V	I <sub>F</sub> = 10 mA
		GREEN		2.0	2.6		
λ <sub>D</sub>	PEAK WAVELENGTH	YELLOW		585		nm	
		GREEN		565			
I <sub>V</sub>	LUMINOUS INTENSITY	YELLOW	2.5			mcd	I <sub>F</sub> = 10 mA
		GREEN	2.5				

LED COLOR = GREEN DIFFUSED (LOW CURRENT) OPERATING CHARACTERISTICS AT 25°C AMBIENT					
CHARACTERISTICS	MIN	TYP	MAX	UNITS	TEST CONDITIONS
LUMINOUS INTENSITY	1.0	2.1		mcd	I <sub>F</sub> = 2 mA
PEAK WAVELENGTH		565		nm	
FORWARD VOLTAGE		1.8	2.2	mV	I <sub>F</sub> = 2 mA
REVERSE VOLTAGE	5			V	I <sub>R</sub> = 50 μA
VIEWING ANGLE		50		Deg.	



THIS DRAWING AND THE CONTENTS HEREIN ARE CONFIDENTIAL AND THE SOLE PROPERTY OF DIALIGHT. REPRODUCTION OF THIS DRAWING OR CONSTRUCTION OF ANY PARTS WITHIN THIS DRAWING ARE FORBIDDEN WITHOUT THE WRITTEN CONSENT OF DIALIGHT.		
SCALE 4:1	DRAWING NUMBER	REV
ALL DIM'S IN: INCHES	C-16601	A
TOLERANCES: UNLESS OTHERWISE SPECIFIED	TITLE STANDARD 3X1 CBI BLOCK	
FRACTIONS: ±1/64	MATERIAL	
DECIMALS (.XX): ±.020	Dialight	
DECIMALS (.XXX): ±.015	1913 ATLANTIC AVE.	
DECIMALS (.XXXX): ±.010	MANASQUAN, N.J. 08736	
ANGLES: ±1°	FINISH:	
FSCM 83330	SHEET OF	FAMILY TABLE: