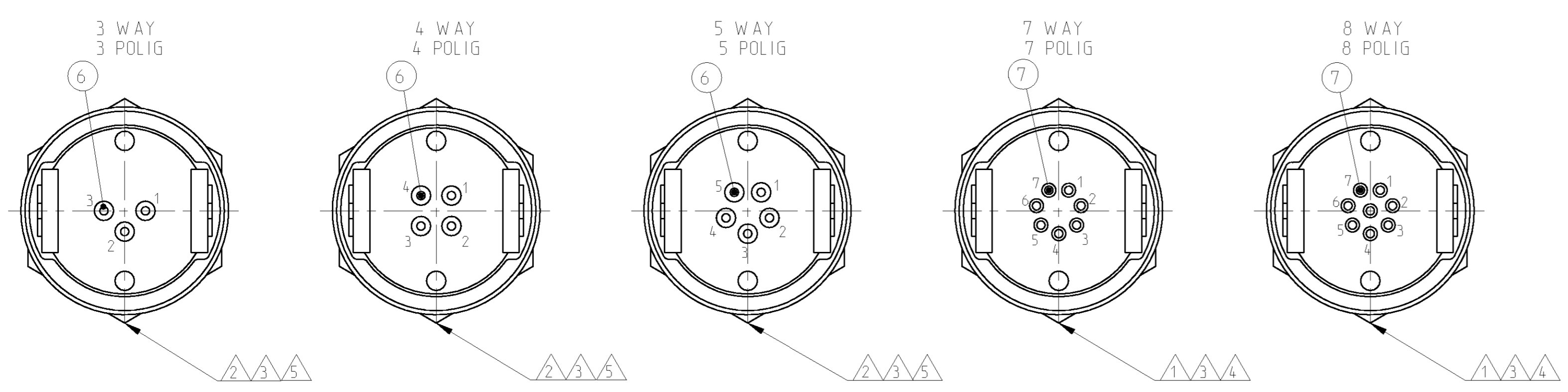
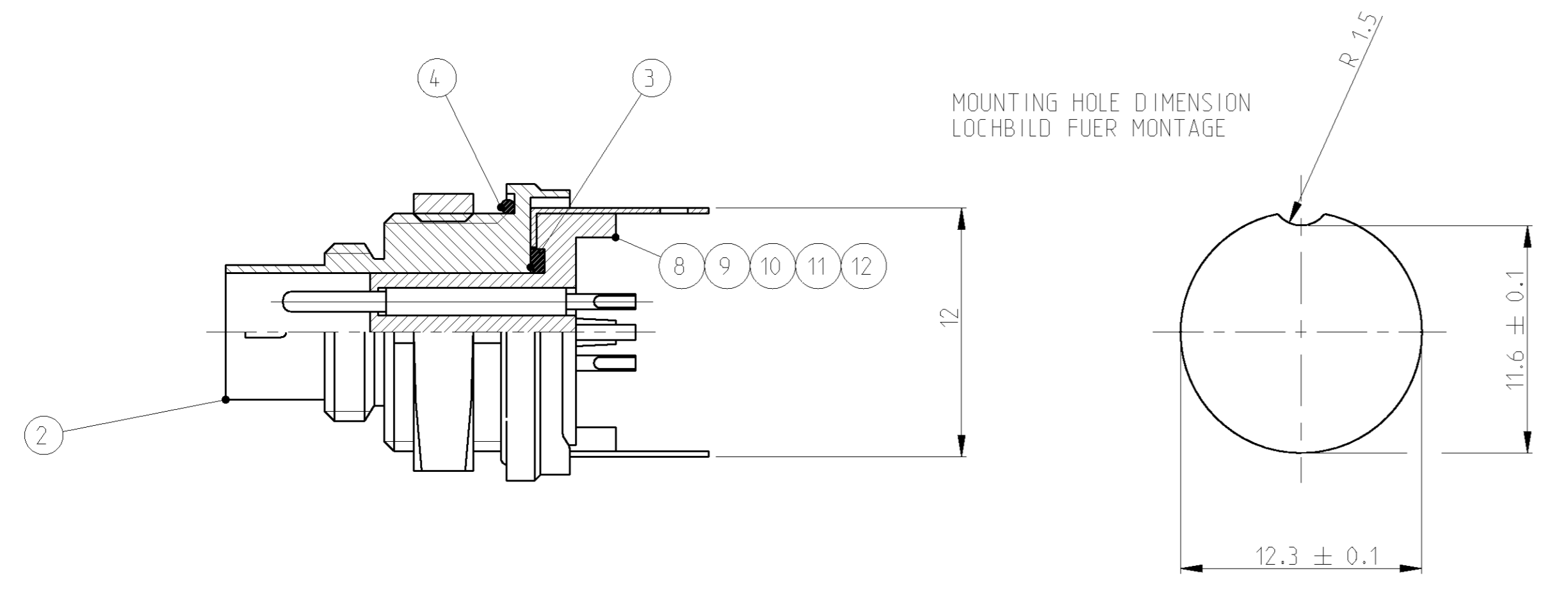
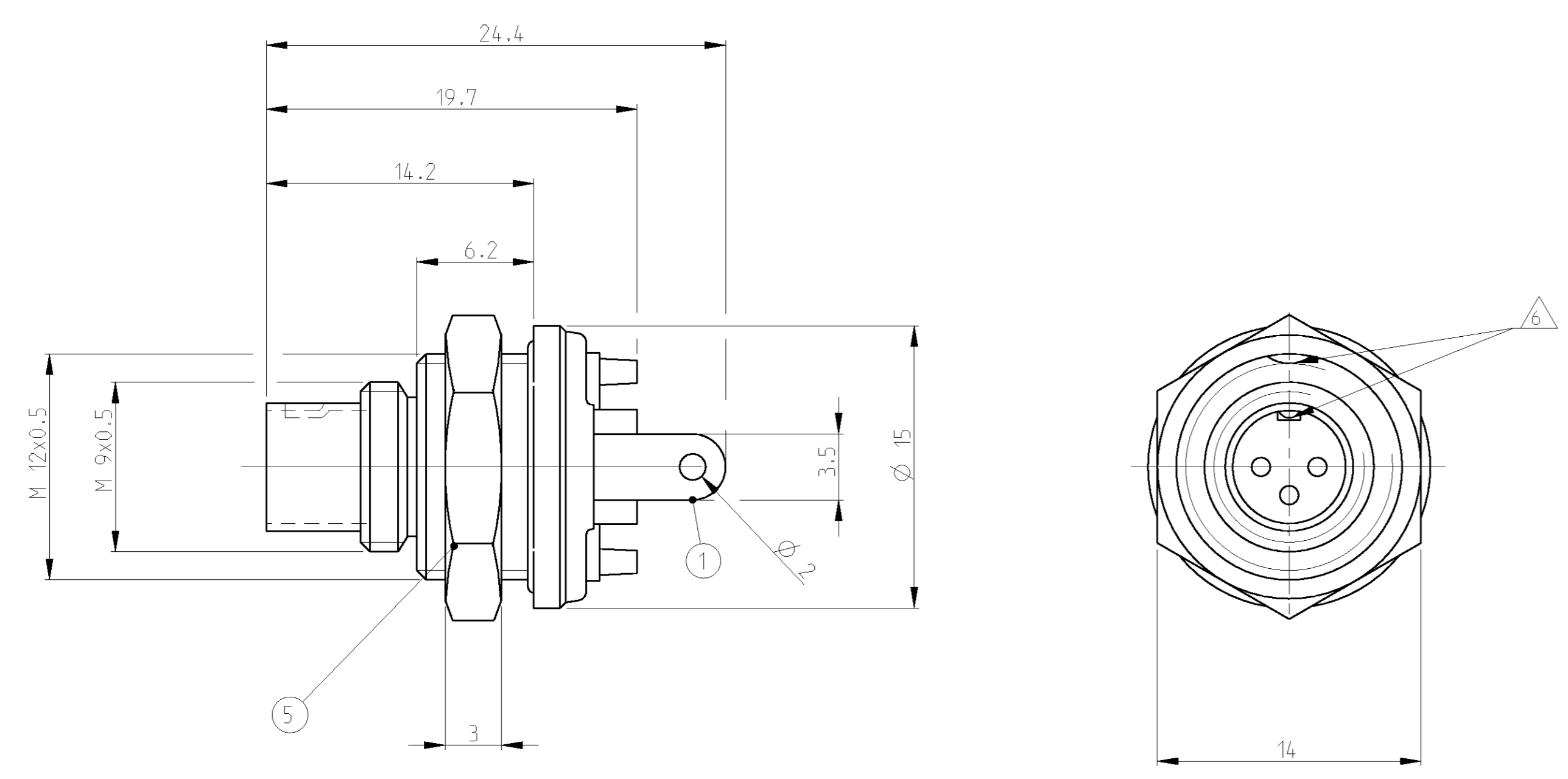


| LOC | DIST | REV | DATE | BY | APPV |
|-----|------|-----|-------------|----|------|
| A1 | - | 1 | 19 JUN 2001 | NG | GF |
| A2 | - | 2 | 06 DEC 2002 | NG | GF |



| | |
|---|---|
| MATERIAL / MATERIAL: PBT, UL-94 V2 | △ |
| SHELL MATERIAL / GEHAUSEMATERIAL: CUZN | |
| FINISH / BESCHICHTUNG: TRIBOR 4 μm | |
| CODING / KODIERUNG | △ |
| WIRE GAGE / DRAHTGROESSE IN mm ² : 0.25 | △ |
| WIRE GAGE / DRAHTGROESSE IN mm ² : 0.14 | △ |
| CONTACT RESISTANCE / KONTAKTWIDERSTAND: => 5 mΩ | △ |
| RATED CURRENT PER CONTACT / NENNSTROM PRO KONTAKT: 3 A | △ |
| RATED CURRENT PER CONTACT / NENNSTROM PRO KONTAKT: 1 A | △ |
| SHELL PROTECTION CLASS / SCHUTZKLASSE: IP 65 / DIN 40050 | |
| TERMINATION: SOLDERING / VERBINDUNG: LOETKONTAKTE | |
| TEST VOLTAGE / PRUEFSPANNUNG: 500 VAC | |
| OPERATING VOLTAGE / BETRIEBSSPANNUNG: 60 VAC | |
| OPERATING TEMPERATURE: -40°C TO +80°C / ARBEITSTEMPERATUR: -40°C BIS +80°C | |
| MATING CYCLES / STECKZYKLEN: 500 MAX. | |
| TECHNICAL DATA TECHNISCHE DATEN | |



| TYCO-NO. / TYCO NR. | QTY REQD PER ASSY | DESCRIPTION / BESCHREIBUNG | ITEM-NO. TEIL-NR. |
|---------------------|-------------------|---|----------------------|
| 9-1437719-3 | 1 | INSULATION TUBE 8 POS. / ISOLIERHUELSE 8 POL. | 12 |
| 9-1437719-0 | 1 | INSULATION TUBE 7 POS. / ISOLIERHUELSE 7 POL. | 11 |
| 8-1437719-7 | 1 | INSULATION TUBE 5 POS. / ISOLIERHUELSE 5 POL. | 10 |
| 8-1437719-4 | 1 | INSULATION TUBE 4 POS. / ISOLIERHUELSE 4 POL. | 9 |
| 8-1437719-1 | 1 | INSULATION TUBE 3 POS. / ISOLIERHUELSE 3 POL. | 8 |
| 8 7 | | PIN APPLIED BY PRESSURE / STIFTKONTAKT EINGEPRESST | 7 |
| 5 4 3 | | PIN APPLIED BY PRESSURE / STIFTKONTAKT EINGEPRESST | 6 |
| 1 1 1 1 1 | | NUT / MUTTER | 5 |
| 1 1 1 1 1 | | SEAL / DICHTUNG | 4 |
| 1 1 1 1 1 | | SEAL / DICHTUNG | 3 |
| 1 1 1 1 1 | | HOUSING / GEHAUSE | 2 |
| 1 1 1 1 1 | | GROUND ON SOLDER FLAG FAHNE FUER MASSEVERBINDUNG | 1 |
| - - - - - | | REVISION OF EACH ASSY NO. (WHEN BLANK, USE DWG REV.) | |
| T01-0580-P08 | | | |
| T01-0580-P07 | | | |
| T01-0580-P05 | | | |
| T01-0580-P04 | | | |
| T01-0580-P03 | | | |

8-1437719-1 AS SHOWN
WIE GEZEICHNET

| | | |
|--|--|---|
| <p>TYCO ELECTRONICS CORPORATION RELEASED FOR PUBLICATION DATE: 19 JUN 2001 BY: TYPD ELECTRONICS CORPORATION ALL RIGHTS RESERVED. COPYRIGHT 2000</p> | <p>TYCO Electronics</p> | <p>tyco Electronics AMP GmbH D - 64625 Bensheim</p> |
| <p>DATE: 19 JUN 2001 BY: H. SCHERER APPV: G. FELDMAYER</p> | <p>NAME: T01 MALE PLUG CONN. PANEL MNT. SOLDER VER. 3-8 POS. 180 DGR. T01 STIFTSTECKER-EINBAU-LOETVERS. 3-8 POL. 180 GRAD</p> | <p>SIZE: A1 CAGE CODE: 00779 DRAWING NO.: 8-1437719-1</p> |
| <p>MATERIAL: PBT, UL-94 V2</p> | <p>WEIGHT: -</p> | <p>RESTRICTED TO: -</p> |
| <p>CUSTOMER DRAWING</p> | <p>SCALE: -</p> | <p>SHEET: 1 OF 1 REV: A2</p> |