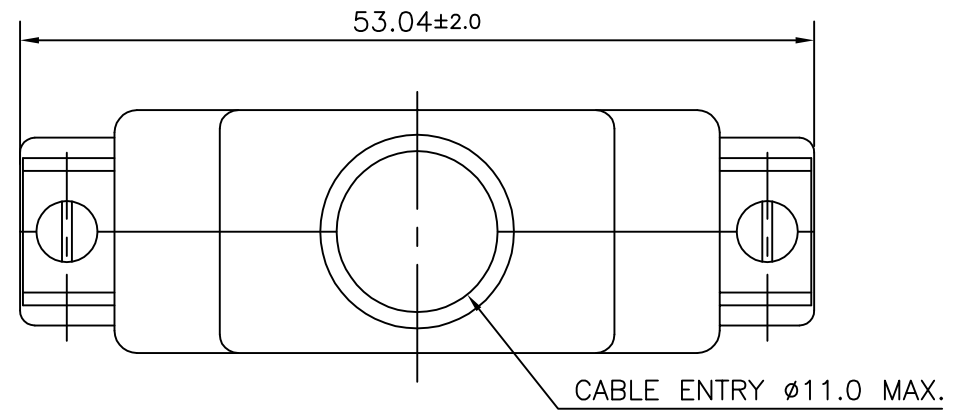
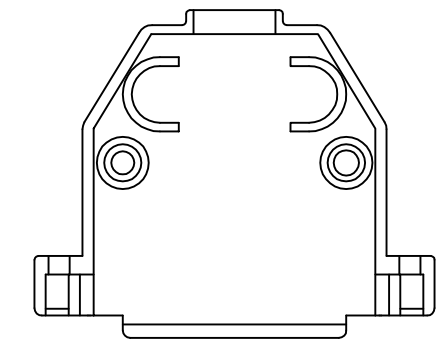


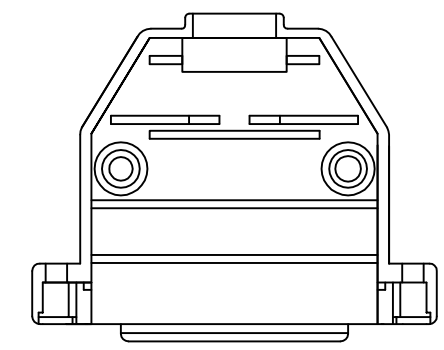
2	8630-CH25UNCLF	UNC 440
1	8630-CH25M3LF	M3
SL.NO.	PART NO:	THREAD



HOOD INTERNAL VIEW

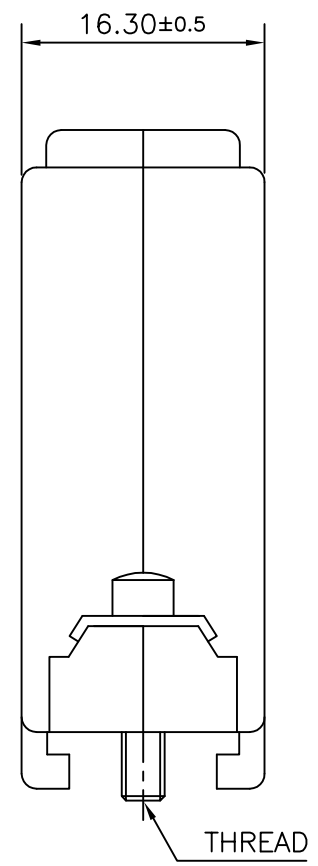
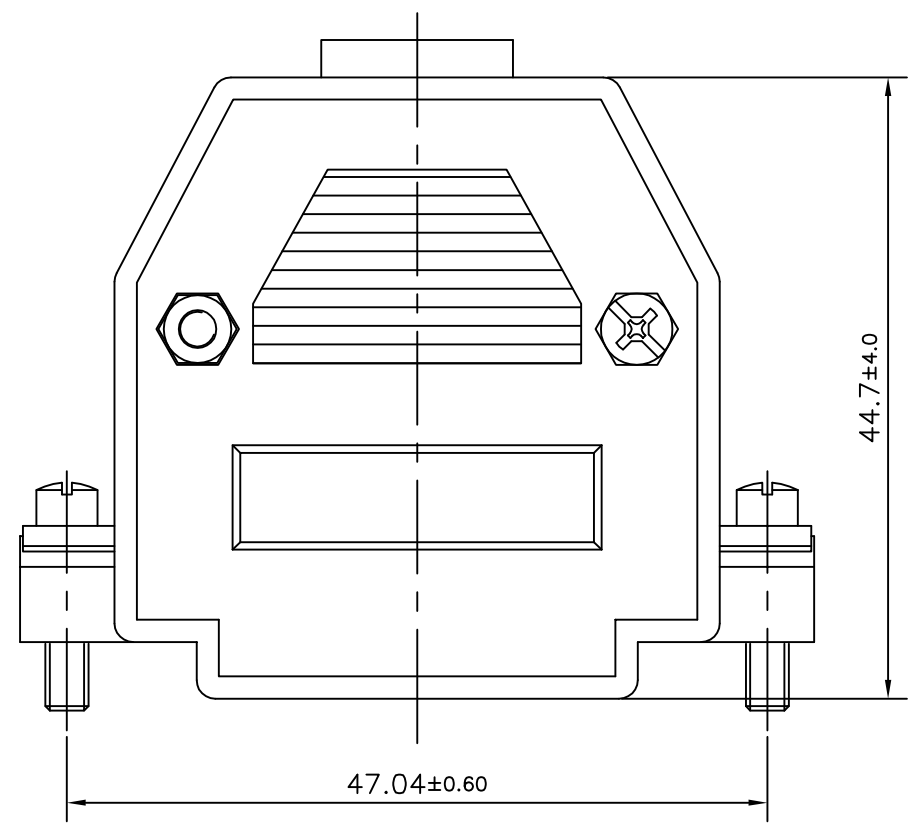


OPTION 1\*



OPTION 2\*

\* Hood can be of either Option 1 or Option 2



Amphenol FCI

© 2016 AFCl

"This LF product meets European Union Directives and other country regulations as described in GS-47-0004"

MATERIALS:  
1.ABS UNFILLED UL 94 HB (STANDARD)  
2.TEMP RANGE -55°C TO +85°C

Packaging as per GS-14-920

mat'l. code				surface ISO 1302 ✓		tolerance ISO 406 ISO 1101		projection MM		product family D-SUB	
E 106-0074 MINI 2006/06/08				tolerances unless otherwise specified						title CONNECTOR HOOD 25 POSITION	
F 110-0122 AMR 2010/05/29				angles		linear		MM		dwg no	
G 110-0231 AMR 2010/11/27				0°±1°				scale NTS		sheet 1 of 1	
H ELX-I-15622 MP 2013/08/24				dr		MINI K VANDANATH 1995/24/03				size A3	
J ELX-I-21747 MP 2015/08/22				engr		MITHUN PAUL 2016-11-25				C-DSUB-0024	
K ELX-I-25452 GREGAR 2016-11-25				chr		GREGAR MATHEW 2017-08-12				type Product Customer Drawing	
L ELX-I-27699 GREGAR 2017-08-12				appd		BIJU K PAUL 2017-08-12					
sheet index		revision sheet		L							
		1									