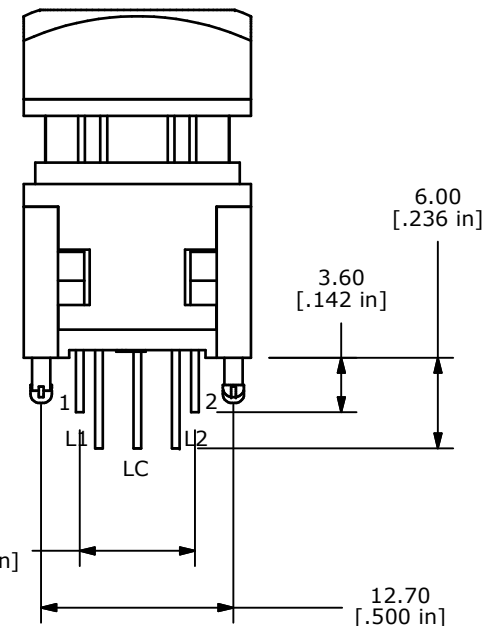
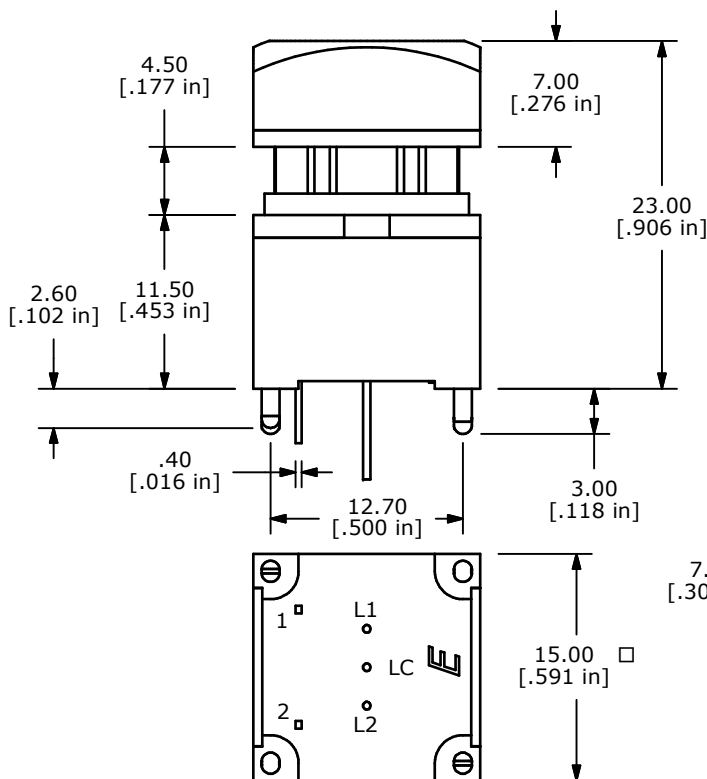
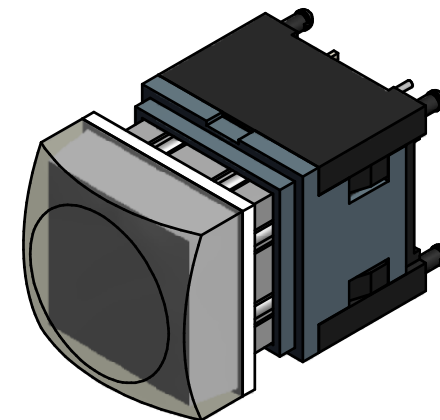
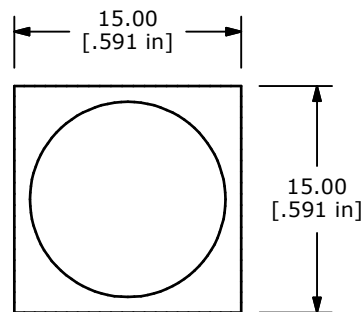


NOTES:

1. ALL DIMENSIONS IN MM [INCH]
2. GENERAL TOLERANCE: X.X±0.4  
X.XX±0.25
3. TERM. NOS. FOR REFERENCE ONLY.
4. RATING: 100mA @ 12VDC
5. CONTACT MATERIAL: GOLD PLATED
6. CONTACT RESISTANCE: 200 Milli-OHM MAX.
7. INSULATION RESISTANCE: 500VDC, 100 MEGA-OHM MIN.
- ▲ 8. OPERATING FORCE: 250 ± 100GF
9. MECHANICAL LIFE: 1,000,000 CYCLES
10. OPERATING TEMP: -20°C TO +70°C
11. LED COLORS: BLUE - WHITE
12. TRAVEL: 4.50mm±0.20
13. 2002/95/EC (ROHS) COMPLIANT
14. ▲ DENOTES CRITICAL PARAMETER.



LED SPECS	UNITS	BLUE	WHITE
FORWARD CURRENT	mA	20	20
FORWARD VOLTAGE @20mA	V	3.3-3.8	3.0-3.6
LUMINOUS INTENSITY @ 20mA	mcd	70	500

REV	PCR NO	DESCRIPTION	DATE	BY
C	21454	CHANGE CONTACT MATERIAL TO GOLD	5/13/14	EBP
B	19357	UPDATE HOUSING, COVER, PLUNGER	11/08/10	BMA
A	18750	Release for Production	1/29/10	BLR



TITLE LP110A1NBSBW

SCALE	2	DATE	1/29/2010	DR	BLR	DWG	B230011	REV	C
-------	---	------	-----------	----	-----	-----	---------	-----	---

THE INFORMATION CONTAINED IN THIS DOCUMENT IS PROPRIETARY TO E-SWITCH AND IS NOT TO BE COPIED OR TRANSFERRED