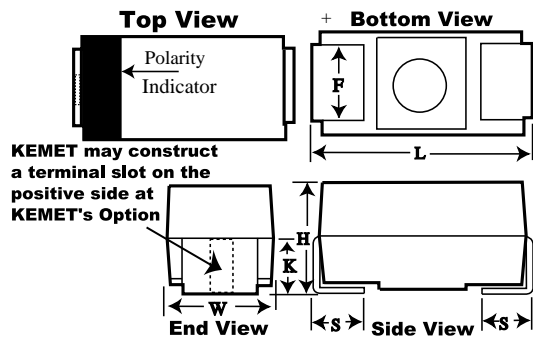


B45192E, Tantalum, MnO2 Tantalum, 33 uF, 10%, 10 V, SMD, Molded, Low Profile, 6032, Height Max = 1.5mm



| General Information | |
|---------------------|--|
| Supplier: | KEMET |
| Series: | B45192E |
| Dielectric: | MnO2 Tantalum |
| Style: | SMD Chip |
| Description: | SMD, Molded, Low Profile |
| Features: | Low Profile |
| RoHS: | Yes |
| Termination: | Tin |
| Notes: | Obsolete. Old Part Number [Obsolete] Was B45192E2336K309 |

| Dimensions | |
|------------|----------------|
| Footprint | 6032 |
| L | 6mm +/-0.3mm |
| W | 3.2mm +/-0.3mm |
| H | 1.5mm MAX |
| S | 1.3mm +/-0.3mm |
| F | 2.2mm +/-0.1mm |
| K | 1.3mm TYP |

| Specifications | |
|------------------------|------------------------------|
| Capacitance: | 33 uF |
| Capacitance Tolerance: | 10% |
| Voltage DC: | 10 VDC (85C), 6.7 VDC (125C) |
| Temperature Range: | -55/+125C |
| Rated Temperature: | 85C |
| Dissipation Factor: | 6% |
| Failure Rate: | N/A |
| Leakage Current: | 3.3 uA |

| Packaging Specifications | |
|--------------------------|------------|
| Packaging: | T&R, 178mm |
| Packaging Quantity: | 1250 |