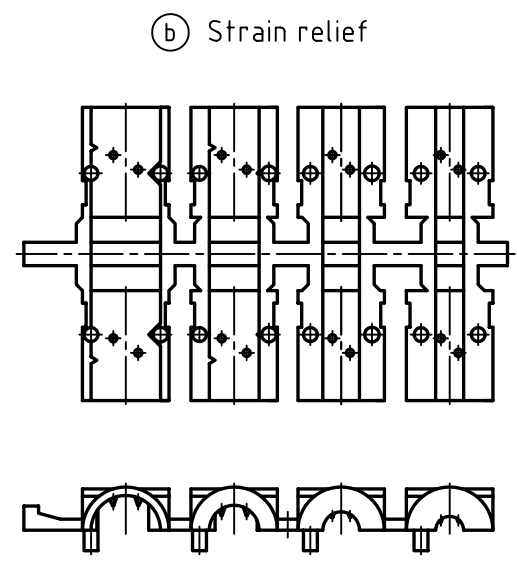
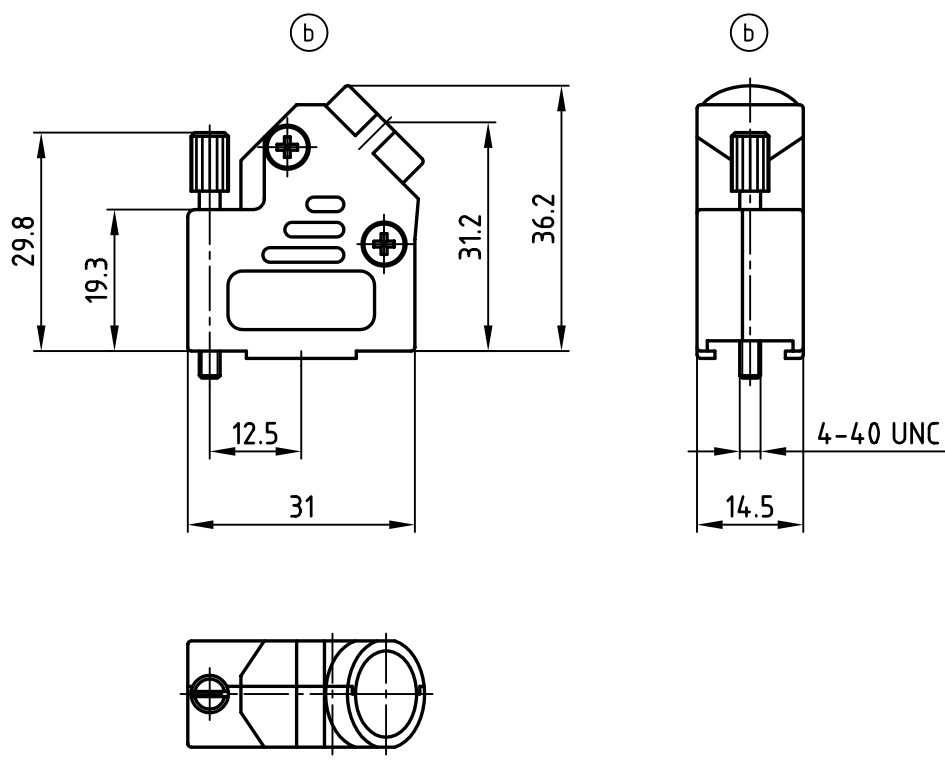


used for: D-SUB



Part No. Bulk package	Part No. Single package
165X02689X	165X02689XE

Directive 2002/95/EC
"RoHS"
Compliant

THIS DRAWING MAY NOT BE COPIED OR REPRODUCED IN ANY WAY, AND MAY NOT BE PASSED ON TO A THIRD PARTY WITHOUT WRITTEN PERMISSION.
OWNERSHIP AND COPYRIGHT OF CONEC GmbH
DO NOT ALTER CAD DRAWING BY HAND

tolerance			
2000	date	name	
drawn	02.10.	Parei	
appd.	02.10.	Resonnek	
norm			
2 x c	Ä 2754	23.07.2007	Lehmen
3 x b	Ä 2480	06.04.2006	Lehmen
a	Origin		
rev.	description	date	name

scale:	1:1	
material:		
title:	D-SUB METALHOOD DVZK Serie 9pos.	
dwg no:	AutoCAD 2006	DIN-A
	16K1A058A	4
product no:	SEE TABLE	

