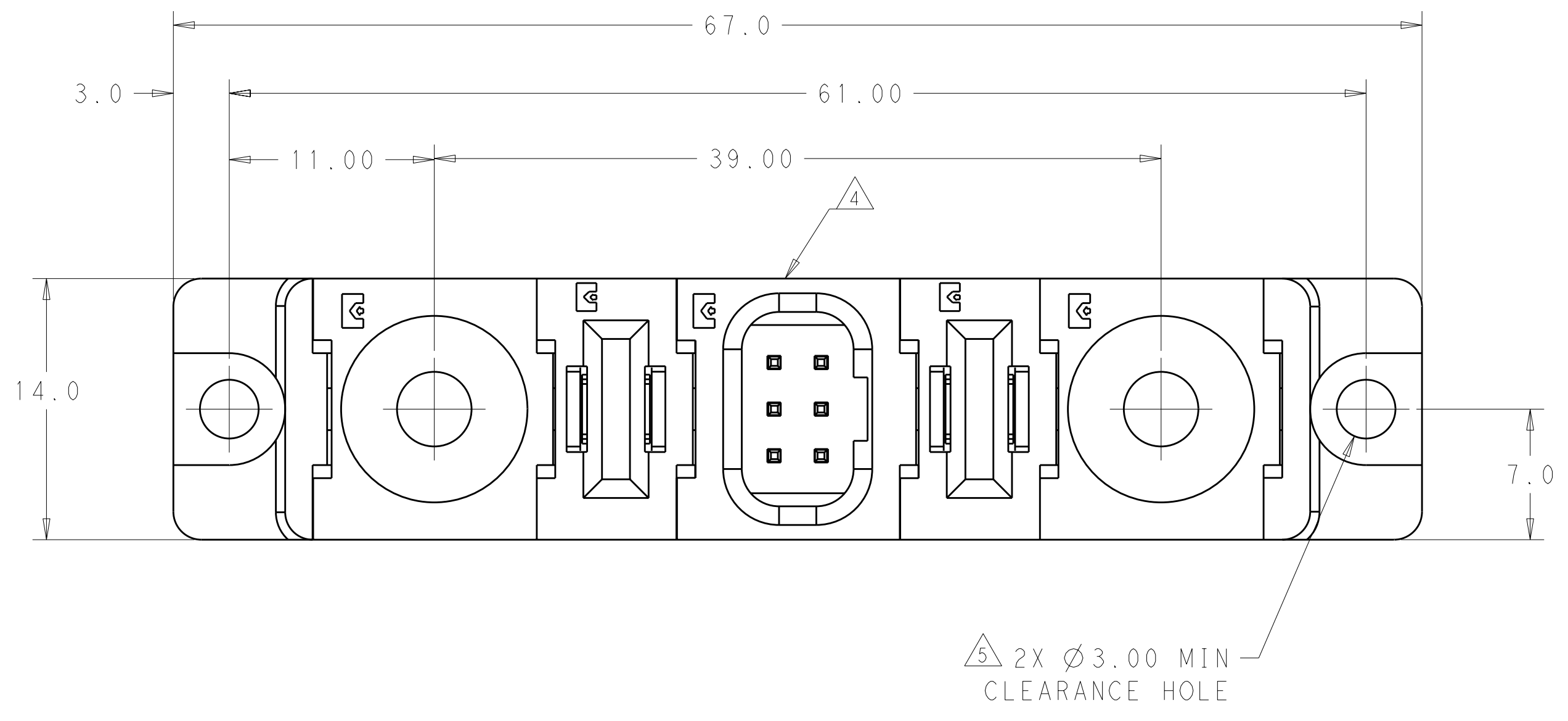


LOC	DIST	REVISIONS			
P	LTB	DESCRIPTION	DATE	DWN	APVD
GP	00	A	RELEASED	20APR2010	RG MS



1. PART NUMBER CHANGES AND OR DESIGN CHANGES AFFECTING ITEM INTERCHANGEABILITY REQUIRE PRIOR TYCO ELECTRONICS APPROVAL AND AUTHORIZATION BY REVISION TO THIS DRAWING.

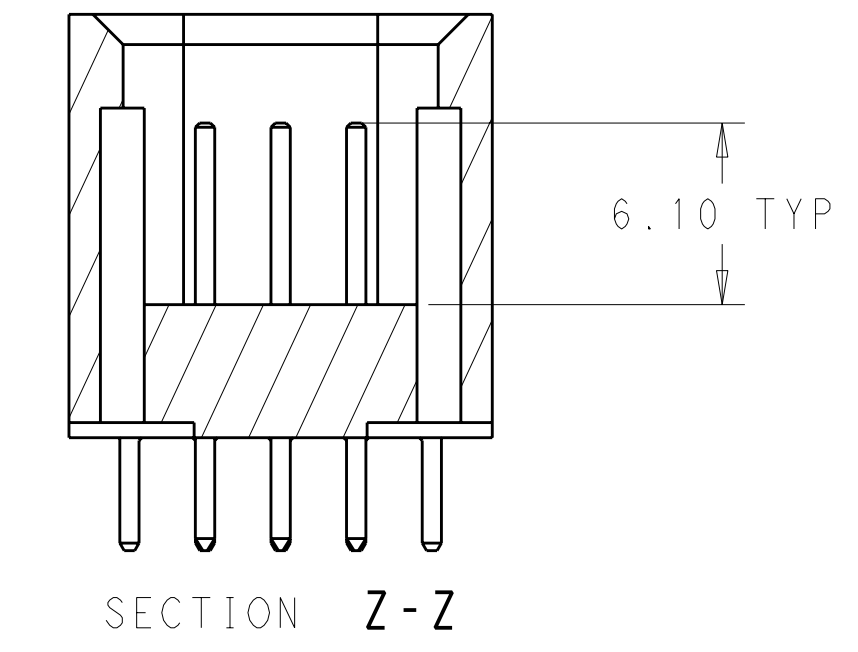
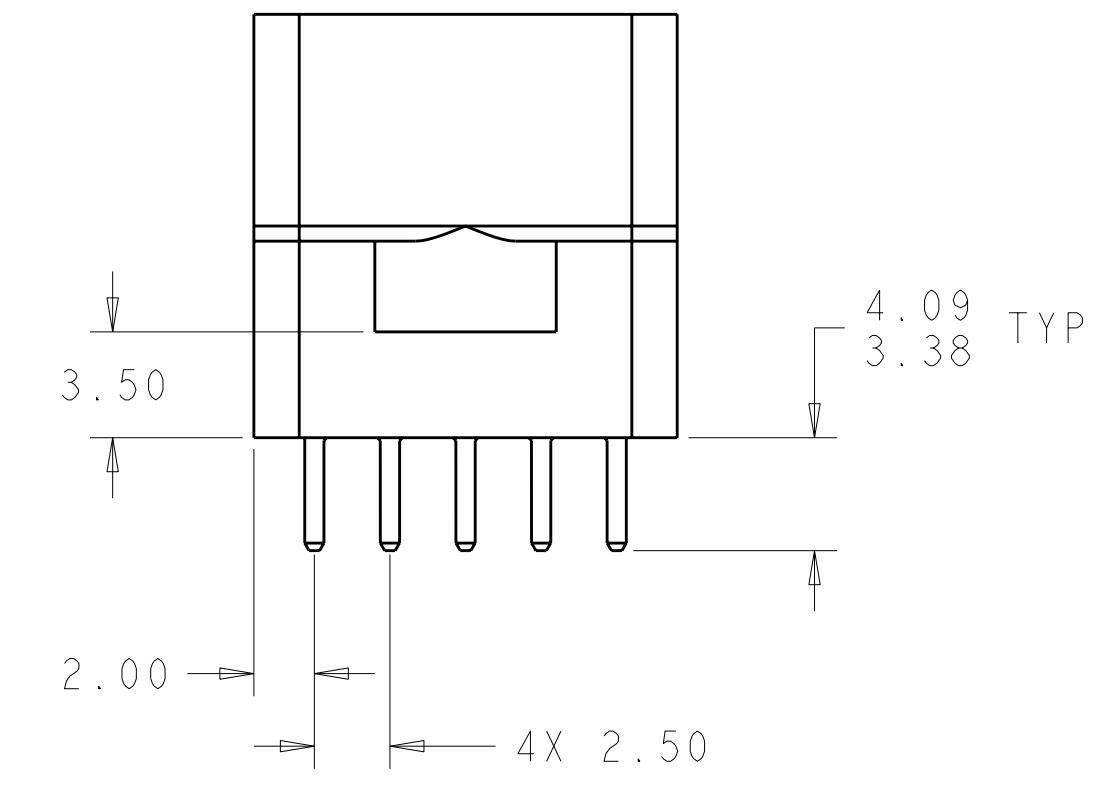
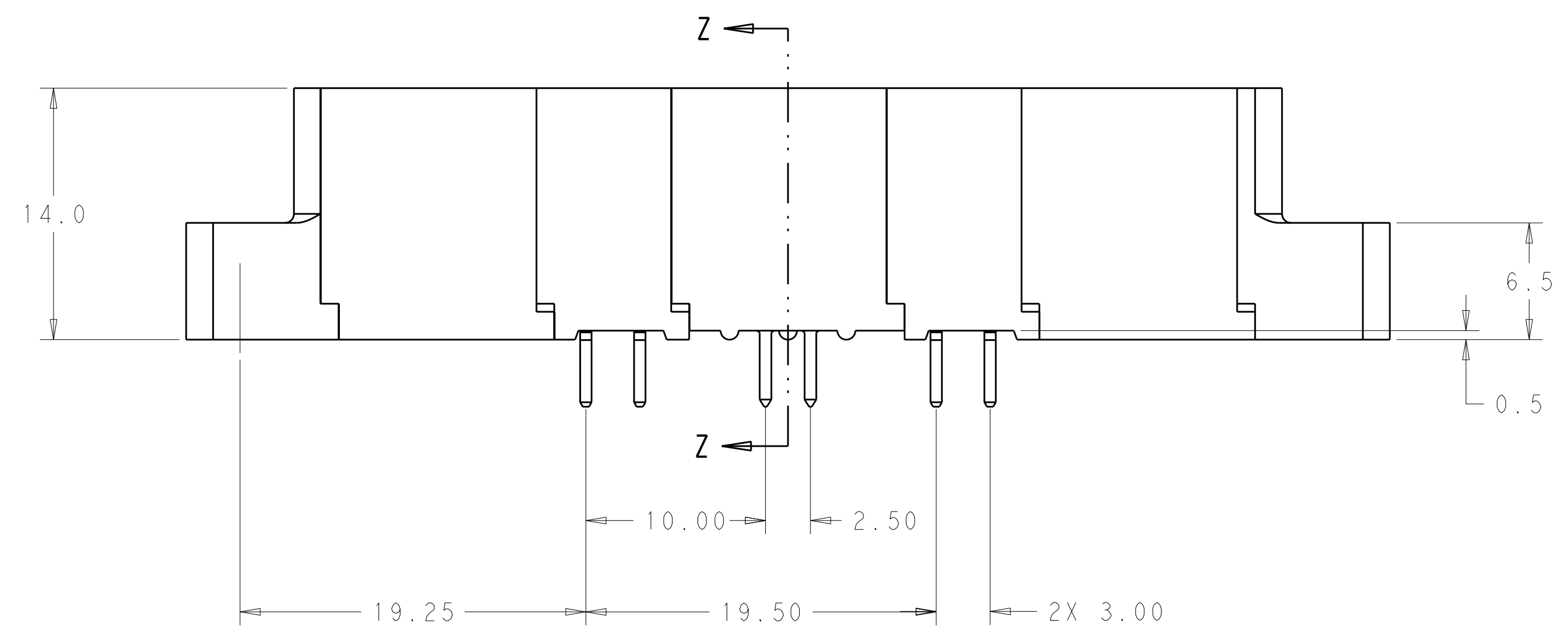
2 MATERIAL: INSULATORS - THERMOPLASTIC, GLASS REINFORCED, COLOR: BLACK UL94V-0 FLAMMABILITY RATED. POWER CONTACTS - PHOSPHOR BRONZE ALLOY, COPPER ALLOY SOLDER SIGNAL PINS-BRASS ALLOY CROWN BAND-BERYLLIUM COPPER ALLOY

3 FINISH: CONTACTS - GOLD PLATE 0.76µm MIN. THK. OVER NICKEL 1.27µm MIN. THK SOLDER TAILS - TIN 3.05µm MIN. THK. OVER NICKEL 1.27µm MIN THK.

4 ITEMS PROVIDED TO THIS SPECIFICATION TO BE PERMANENTLY IDENTIFIED PER THE FOLLOWING IDENTIFIER LABEL

TYCO ELECTRONICS P/N DATE CODE (e.g. 0106)
 XXXXXXX-X XXXX
 YEAR WEEK

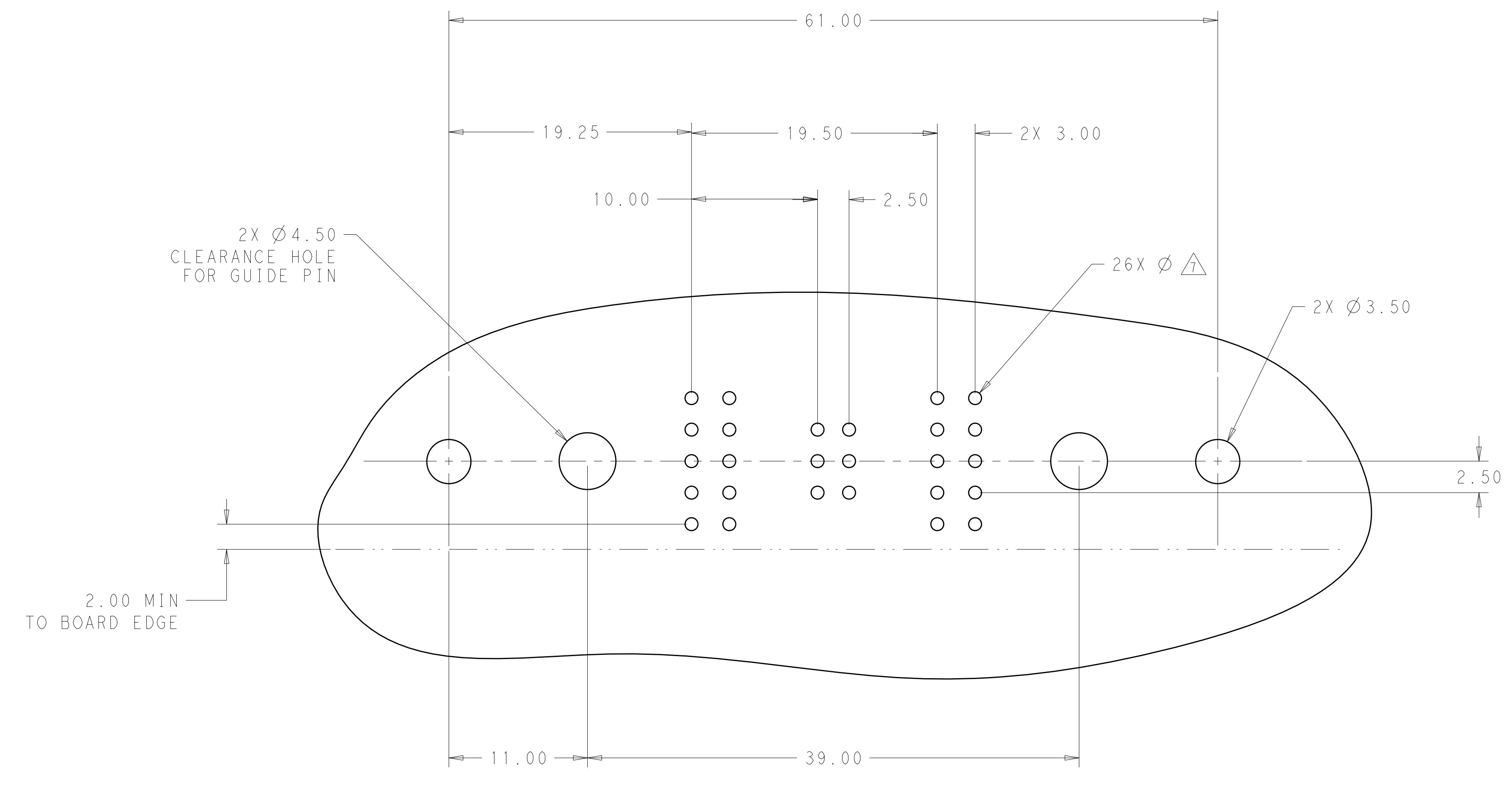
5 MOUNTING FLANGE ACCEPTS M3 OR 4-40 SCREWS (USER SUPPLIED).



AS SHOWN	6766300-1
DESCRIPTION	PART NUMBER

DIMENSIONS: mm 0 PLC ±0.5 1 PLC ±0.5 2 PLC ±0.25 3 PLC ±0.25 4 PLC ±0.25 ANGLES ±0.5		TOLERANCES UNLESS OTHERWISE SPECIFIED: FINISH: 2, 3		DWN: R. GRZYBOWSKI 20APR2010 CHK: M. SYKES 20APR2010 APVD: M. PERCHERIE 20APR2010		Tyco Electronics Corporation Harrisburg, PA 17105-3608	
MATERIAL: 2		FINISH: 3		NAME: PIN CONNECTOR ASSEMBLY STRAIGHT, SOLDER TAIL, MEDIUM LENGTH FLATPAQ		SIZE: A100779 C=6766300 SCALE: 4:1 SHEET 1 OF 3 REV A	
CUSTOMER DRAWING				RESTRICTED TO			

LOC	DIST	REVISIONS					
GP	00	P	LTR	DESCRIPTION	DATE	DWN	APVD
		-	-	SEE SHEET 1	-	-	-

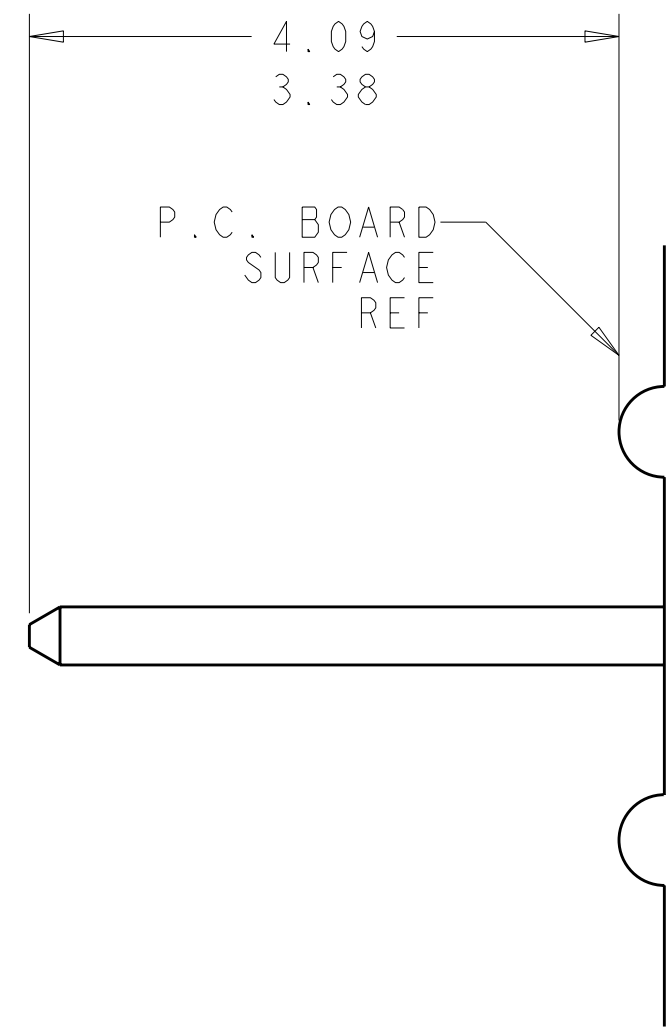


PRINTED CIRCUIT LAYOUT
 COMPONENT SIDE

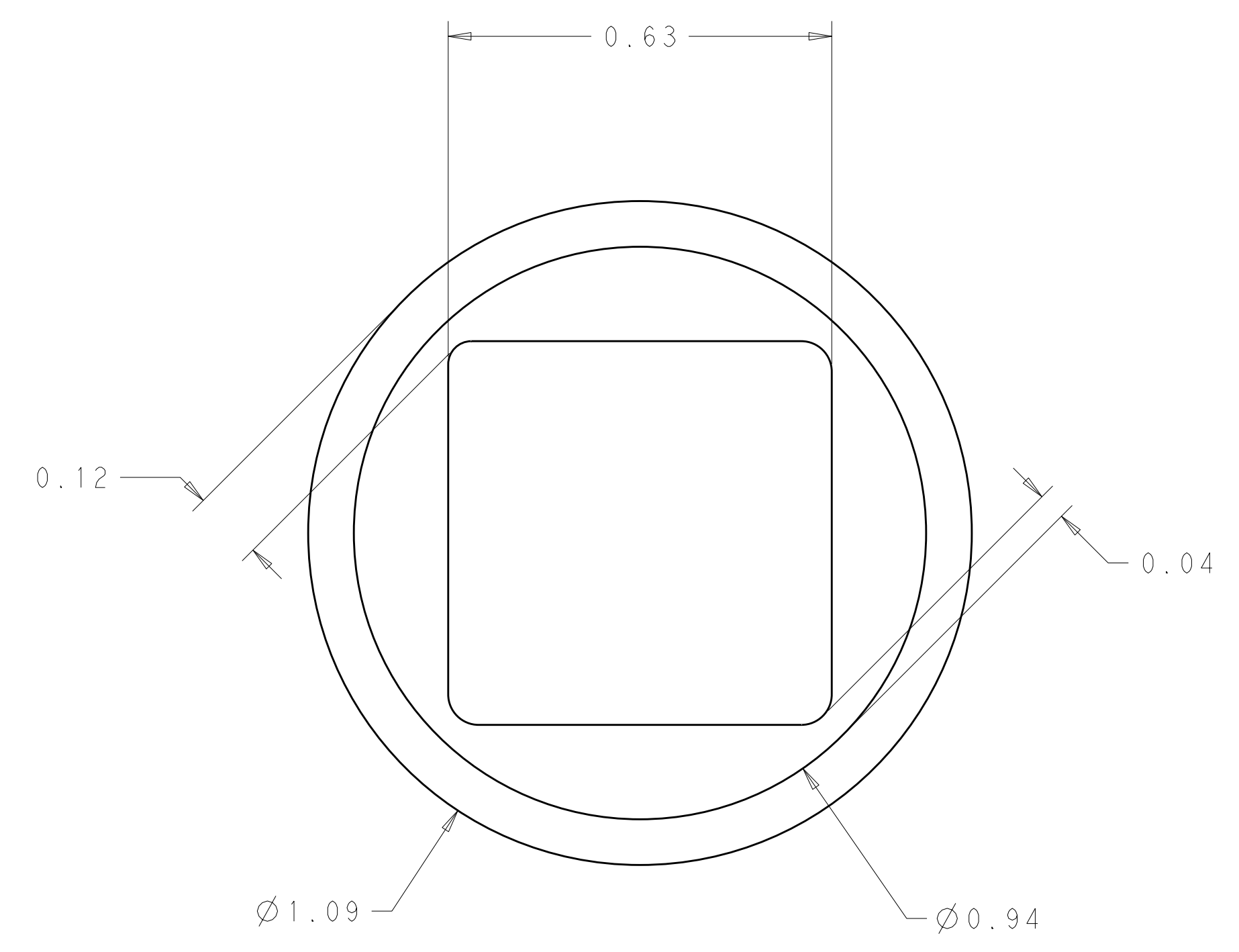
CONNECTOR	CATALOG MODULE #	QTY	SIZE NO.	CONTACT QTY	MATING PIN	MAX. CURRENT (PER CONTACT)	CONTACT SPACING	VOLTAGE RATING
PIN	FP100	2	8	2	1.25 X 7.00	35 amps	7.50	250 VOLTS
	FP312	1	22	6	.64 SQ.	3 amps	2.50	125 VOLTS
	FP500	1	LEFT MOUNTING FLANGE					
	FP501	1	RIGHT MOUNTING FLANGE					
	FP502	2	STRAIGHT GUIDE SOCKET					

DIMENSIONS: mm 		TOLERANCES UNLESS OTHERWISE SPECIFIED: 0 PLC ± 1 PLC ±0.5 2 PLC ±0.25 3 PLC ± 4 PLC ± ANGLES ±.3 FINISH -		DWN R. GRZYBOWSKI 20APR2010 CHK M. SYKES 20APR2010 APVD M. PERCHERIE 20APR2010 PRODUCT SPEC - APPLICATION SPEC - WEIGHT - CUSTOMER DRAWING		Tyco Electronics Corporation Harrisburg, PA 17105-3608 NAME PIN CONNECTOR ASSEMBLY STRAIGHT, SOLDER TAIL, MEDIUM LENGTH FLATPAQ SIZE CAGE CODE DRAWING NO. RESTRICTED TO A100779C-6766300 - SCALE 4:1 SHEET 2 OF 3 REV A	
--------------------	--	--	--	--	--	---	--

LOC	DIST	REVISIONS			
P	LTB	DESCRIPTION	DATE	DWN	APVD
-	-	SEE SHEET 1	-	-	-



6. SOLDER PIN DETAIL
SCALE 10 : 1



△ SOLDER TERMINATION AREA
SCALE 40:1
RECOMMENDED PRINTED CIRCUIT SOLDER HOLE
FINISHED HOLE: Ø1.02 ±.08
DRILLED HOLE: Ø1.15 ±.013
COPPER PLATE: .025 MIN
TIN/LEAD PLATE: .008 MIN. (PER SURFACE)

<small>THIS DRAWING IS UNPUBLISHED. RELEASED FOR PUBLICATION 20 © COPYRIGHT 20 BY TYCO ELECTRONICS CORPORATION, ALL INTERNATIONAL RIGHTS RESERVED.</small>		DWN R. GRZYBOWSKI 20APR2010 CHK M. SYKES 20APR2010 APVD M. PERCHERIE 20APR2010	Tyco Electronics Corporation Harrisburg, PA 17105-3608
DIMENSIONS: mm 	TOLERANCES UNLESS OTHERWISE SPECIFIED: 0 PLC ±.5 1 PLC ±0.5 2 PLC ±0.25 3 PLC ±.5 4 PLC ±.5 ANGLES ±.3 FINISH	NAME PRODUCT SPEC APPLICATION SPEC WEIGHT CUSTOMER DRAWING	NAME PRODUCT SPEC APPLICATION SPEC WEIGHT CUSTOMER DRAWING
MATERIAL - FINISH -		SIZE CAGE CODE DRAWING NO A100779C-6766300	RESTRICTED TO SCALE 4:1 SHEET 3 OF 3 REV A