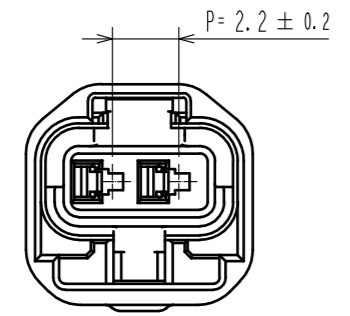


Apr.1.2017 Copyright 2017 HIROSE ELECTRIC CO., LTD. All Rights Reserved.

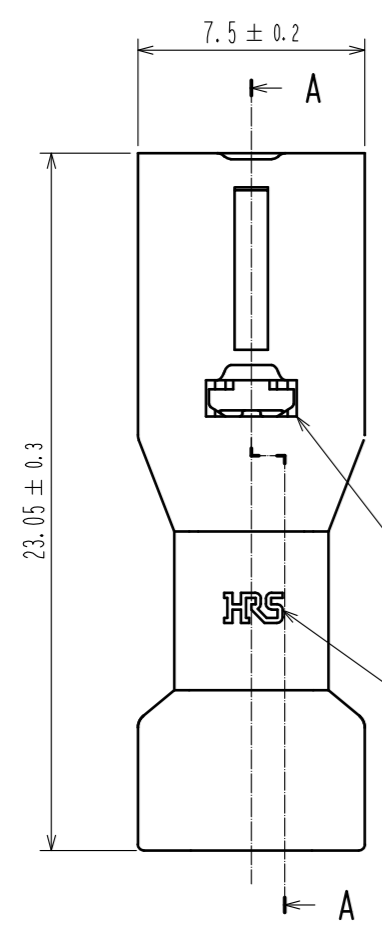
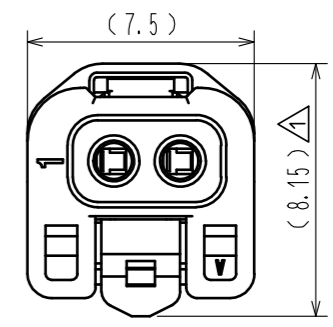
1 2 3 4 5 6 7 8

A  
B  
C  
D  
E  
F

A  
B  
C  
D  
E  
F

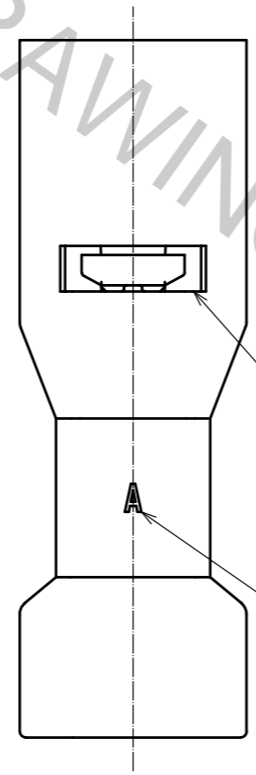
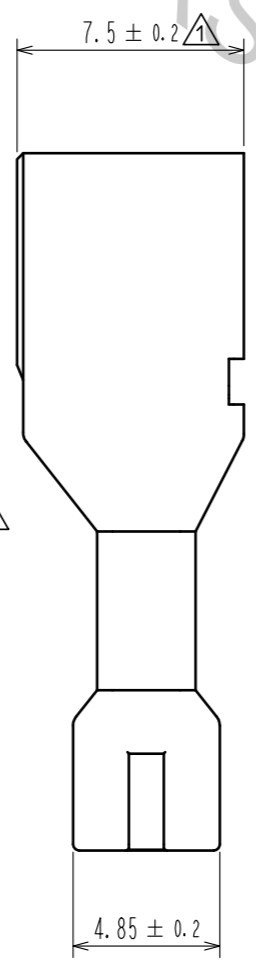


Mated Figure



Revised configuration Δ

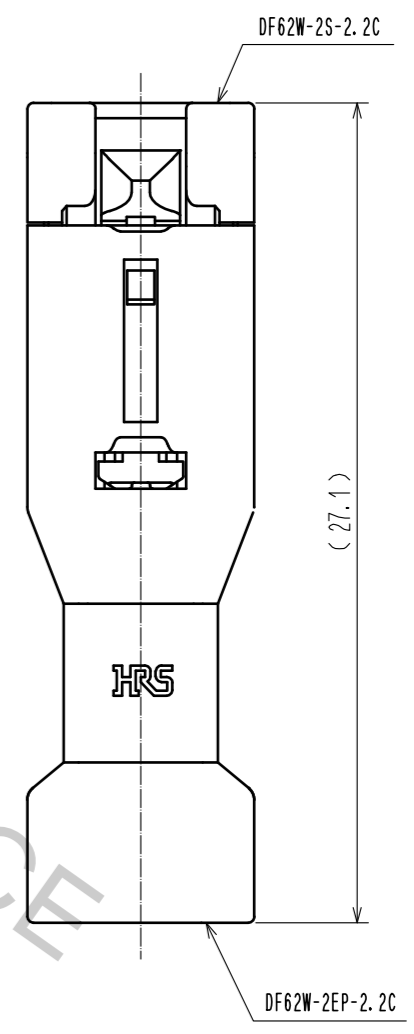
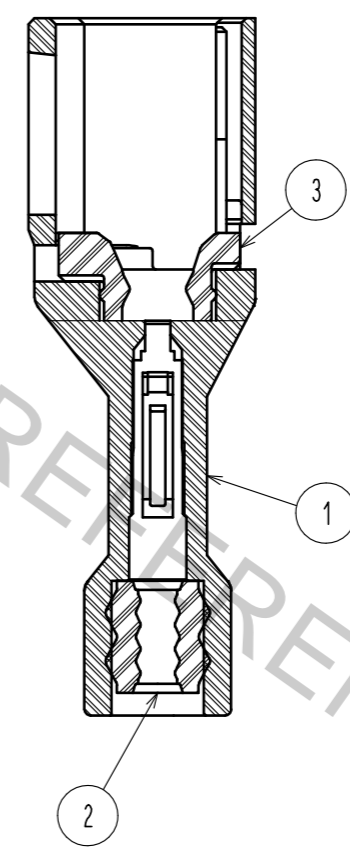
HRS Logo



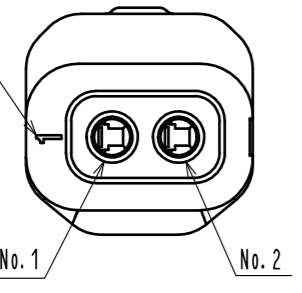
Revised configuration Δ

Cavity No. Marking

Δ A-A



Contact No. Marking



- Notes.
- Δ 1. 100 pcs. / bag
  - 2. The dimensions in parenthesis are reference dimensions.
  - 3. Always refer to the manuals below for operation of this product.  
For Cable assembly / Cable assembly procedure ATAD-H0760  
For Mating/Unmating / Operation manual ATAD-H0761

1	PBT	UL94V-0 (Black)	3	Silicone rubber	Bengala		
2			2	Silicone rubber	Bengala		
NO.	MATERIAL	FINISH . REMARKS	NO.	MATERIAL	FINISH . REMARKS		
UNITS	mm	SCALE	COUNT	DESCRIPTION OF REVISIONS	DESIGNED	CHECKED	DATE
		4 : 1	Δ 6	DIS-H-00000241	TS.MIYAKI	TS.FUKUSHIMA	15.03.17
APPROVED : KI. AKIYAMA				14.01.09	DRAWING NO. EDC3-353518-00		
CHECED : MN. KENJO				14.01.09	PART NO. DF62W-2EP-2.2C		
DESIGNED : TO. HORII				14.01.08	CODE NO. CL544-1003-0-00		
DRAWN : TO. HORII				14.01.08	Δ 1/1		