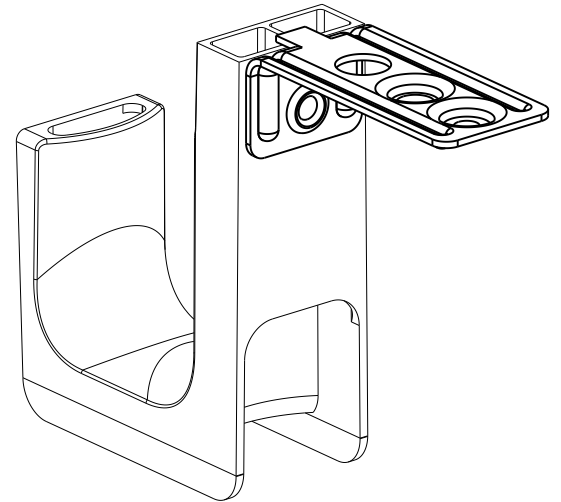
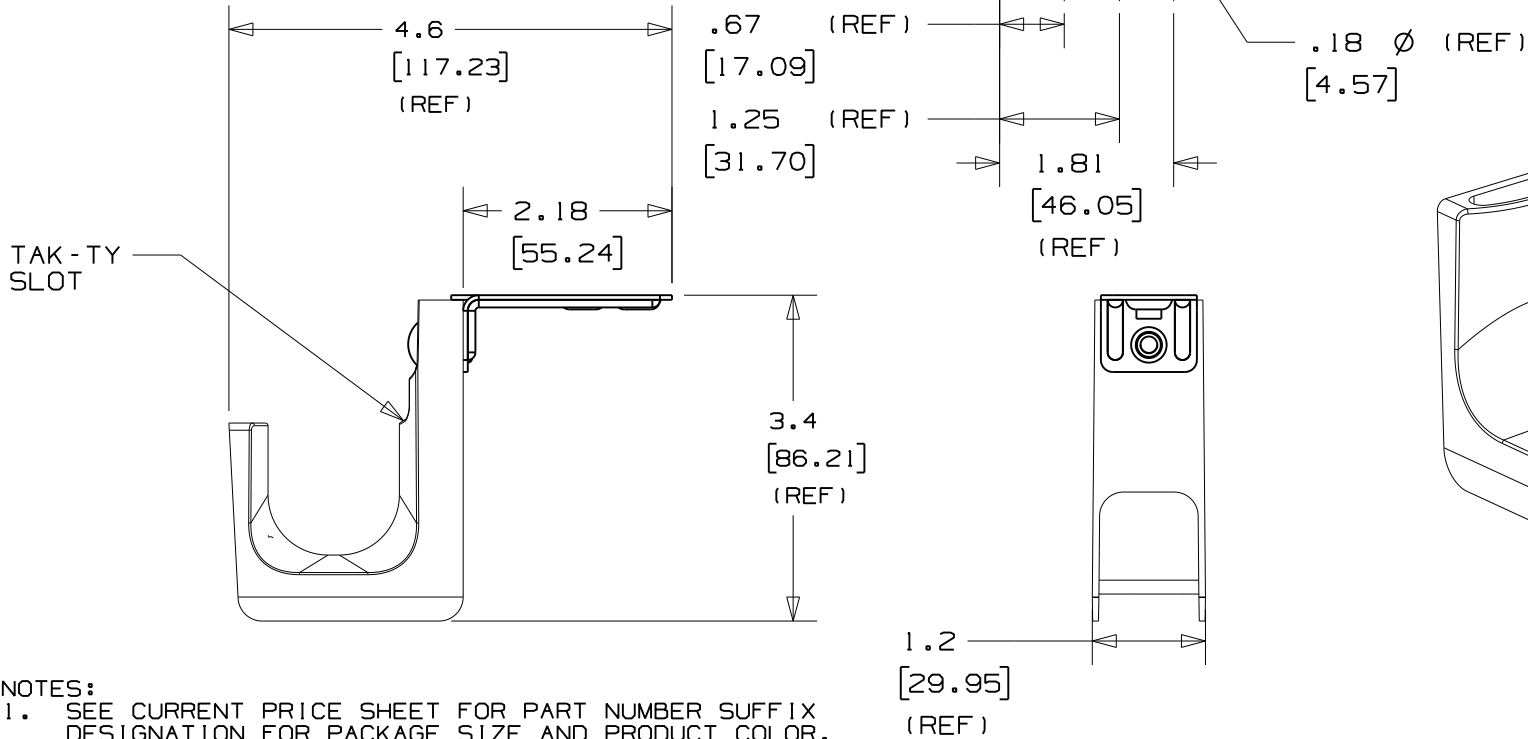
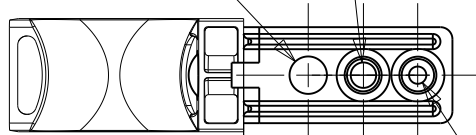


THIS COPY IS PROVIDED ON A RESTRICTED BASIS AND IS NOT TO BE USED IN ANY WAY DETRIMENTAL TO THE INTERESTS OF PANDUIT CORP.

.39 ϕ (REF) [9.91]
 .26 ϕ (REF) [6.73]

PANDUIT PART NO.	WEIGHT lbs 10 (g) pcs
JP131CMB-___	1.06 (478)



- NOTES:
- SEE CURRENT PRICE SHEET FOR PART NUMBER SUFFIX DESIGNATION FOR PACKAGE SIZE AND PRODUCT COLOR.
 - HOOK MATERIAL: NYLON 6/6
 ANGLE BRACKET MATERIAL: PRE-GALVANIZED STEEL,
 RIVET MATERIAL: ALUMINUM
 - PRODUCT IS DESIGNED TO SUPPORT A MAXIMUM OF 1 5/16" (33.34) DIAMETER BUNDLE. MAXIMUM RECOMMENDED STATIC LOAD: 25 lbs.
 - PRODUCT INCORPORATES FEATURES ALLOWING USER TO RETAIN CABLE BUNDLES IN J-PRO J-HOOK WITH TAK-TY CABLE TIES UP TO 3/4" WIDE.
 - PRODUCT MARKINGS:
 cULus logo and statement:
 "SUITABLE FOR USE IN AIR HANDLING SPACES IN ACCORDANCE WITH SECTION 300-22 (C) & (D) OF THE NATIONAL ELECTRIC CODE."
 ULC logo and statement:
 "IN ACCORDANCE WITH CAN/ULC S-102.2-10 IN SINGLE UNITS OR PAIRS, 4 ft (1220mm) MIN. SPACING, FSR=0, SDC=35."

TITLE J-PRO CEILING MOUNT J-HOOK (JP131CMB-___) CUSTOMER DRAWING	
ITEM REVISION NAME 121031AB/00	PANDUIT TM
DATASET FILE NAME 121031AB_DC_C11001/00A	
UNLESS OTHERWISE SPECIFIED, DIMENSIONAL TOLERANCES ARE: IN (mm) .x : .1 (2.54) .xxx : .005 (0.127) .xx : .01 (0.25) ANGLES : 5°	
THIRD ANGLE PROJECTION	
DRAWING NUMBER: C11001	
DRAWN BY DBLA	DATE 11/08/0212
CHK KLN	SCALE NONE
SHT 1 OF 1	
SIZE A	

00	11/08/2012	DBLA	GGC	KLN	INITIAL RELEASE	GAECN00220
REV	DATE	BY	CHK	APR	DESCRIPTION	ECN

D101000A/12