

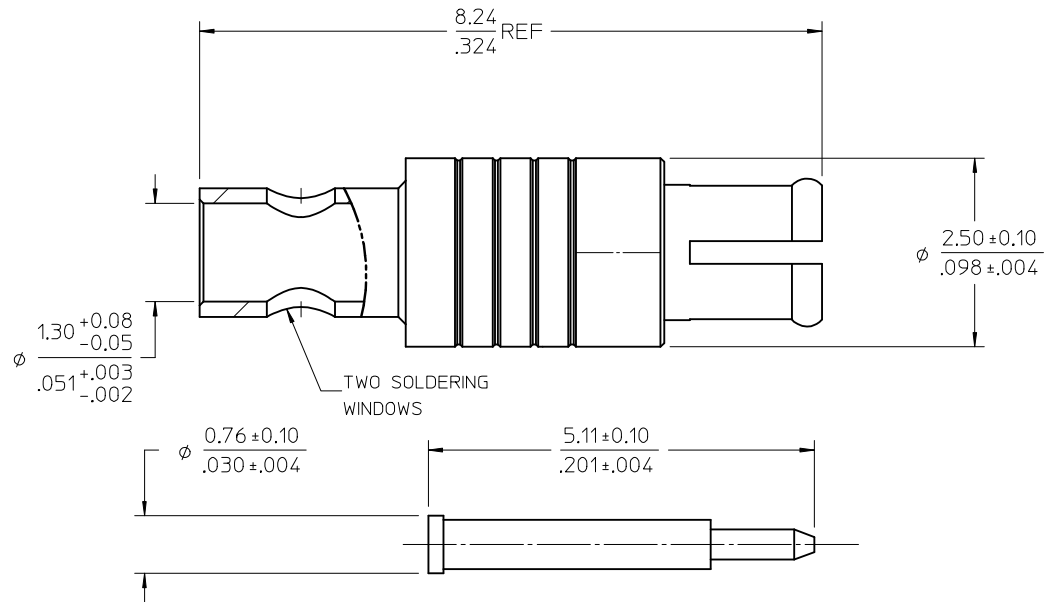
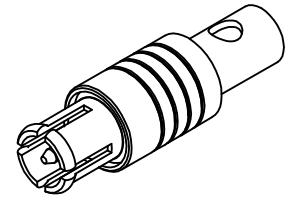
MATERIALS AND FINISHES:

PART NO. 73415-4680/73415-4681 73415-4682/73415-4683 73415-4685	PART NO.73415-4684
BODY BRASS PLATED 50u" MIN COPPER UNDERCOAT 100~200u" NICKEL UNDERCOAT 2u" MIN GOLD PLATING	BODY BERYLLIUM COPPER PLATED TRI METAL
CENTER CONTACT BRASS PLATED 10u" GOLD	CENTER CONTACT BERYLLIUM COPPER PLATED GOLD
OUTER CONTACT BERYLLIUM COPPER PLATED 50u" MIN COPPER UNDERCOAT 100~200u" NICKEL UNDERCOAT 2u" MIN GOLD PLATING	OUTER CONTACT BERYLLIUM COPPER PLATED GOLD
INSULATOR TEFLON	INSULATOR TEFLON

WITHSTAND 48HRS SALT SPRAY TEST

NOTE:

- PART NO.73415-4681 WITHOUT CONTACT PART
- 73415-4682 WITH CUSTOMER REQUEST PACKAGE
- PART NO.73415-4683/73415-4684
PACKAGE 500PCS BY BAG



PS-73598-0220	PRODUCT SPECIFICATION
AS-73597-033	ASSEMBLY INSTRUCTION
SPECIFICATION	DESCRIPTION

PART NO.	DESCRIPTION	PACKAGING
73415-4687	NON-MAGNETIC	1 PIECE 73415-4684 PER BAG
73415-4686	GENERAL TYPE	1 PIECE 73415-4680 PER BAG
73415-4685	GENERAL TYPE	SPECIFIC LABEL ON OUTER BOX
73415-4684	NON-MAGNETIC	500pcs BY ONE BAG
73415-4683	GENERAL TYPE	500pcs BY ONE BAG
73415-4682	GENERAL TYPE	SEE NOTE 2
73415-4681	GENERAL TYPE	SEE NOTE 1
73415-4680	GENERAL TYPE	1000pcs BY ONE BAG

CHG: ADDED P/Ns 73415-4686 & -4687. EC NO: URF2007-0254 DRWIN:ROBERTSON 2007/01/04 CHKD: 2007/01/04 APPR: JWENER 2007/01/04	QUALITY SYMBOLS ▽=0 ▽=0	GENERAL TOLERANCES (UNLESS SPECIFIED) mm INCH 4 PLACES ± --- ± --- 3 PLACES ± --- ± --- 2 PLACES ± --- ± --- 1 PLACE ± --- ± --- ANGULAR ± 5 °	DIMENSION STYLE MM/IN DRAWN BY DATE JOHN 2004/09/17 CHECKED BY DATE JOHNSON 2004/09/17 APPROVED BY DATE MISEN 2004/09/17	SCALE DESIGN UNITS METRIC THIRD ANGLE PROJECTION
		DRAFT WHERE APPLICABLE MUST REMAIN WITHIN DIMENSIONS	MATERIAL NO. SEE TABLE SIZE C	TITLE SSMCX PLUG, 50 OHM PLUG CABLE TYPE SSMCX-PC MOLEX INCORPORATED DOCUMENT NO. SD-73415-468