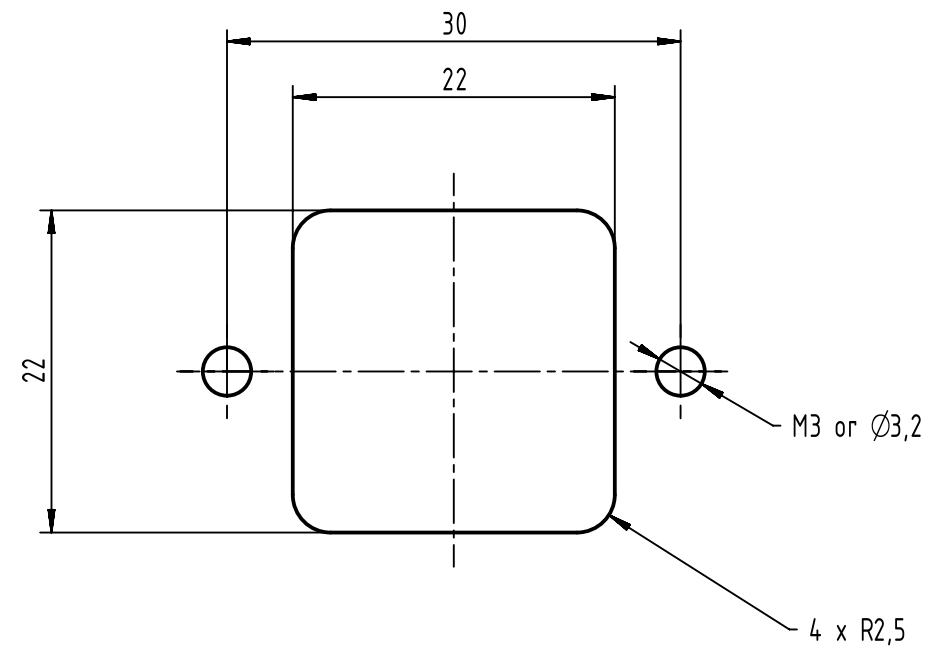
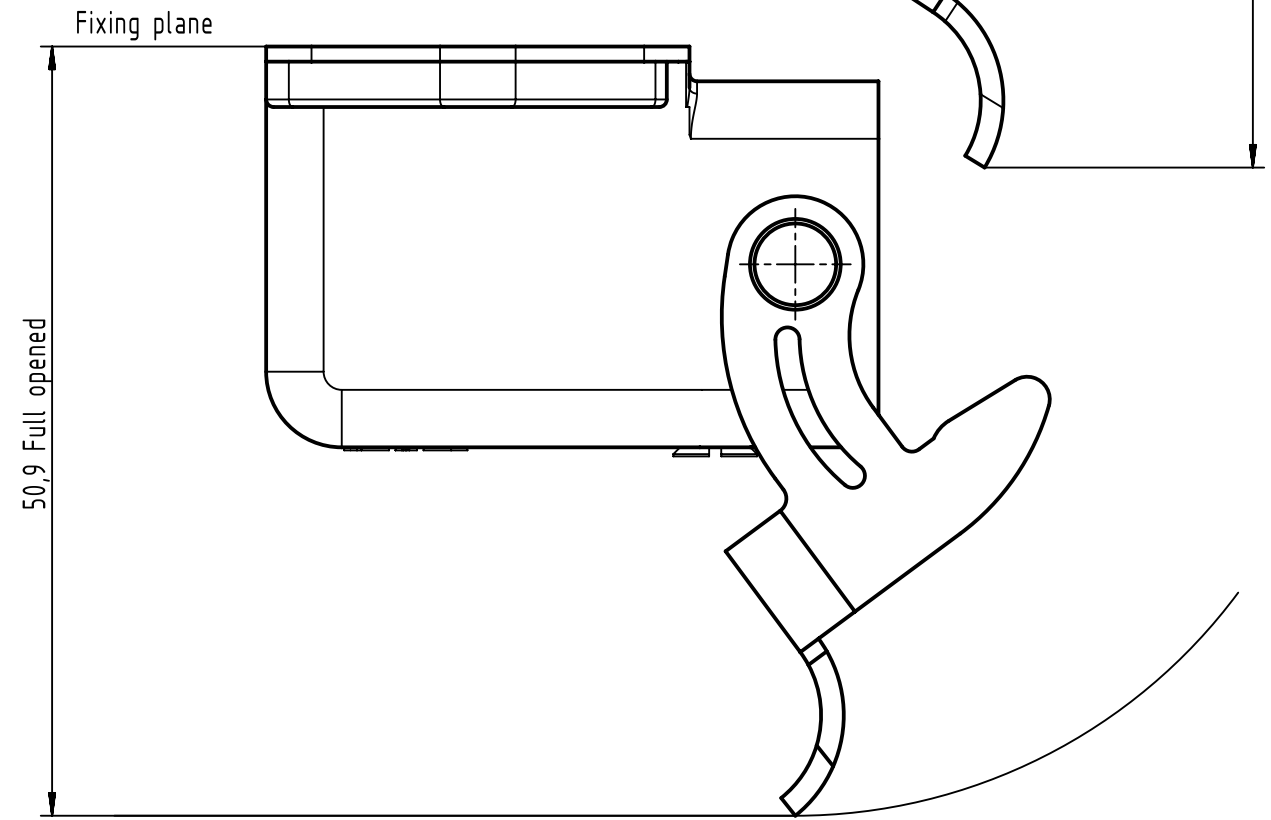
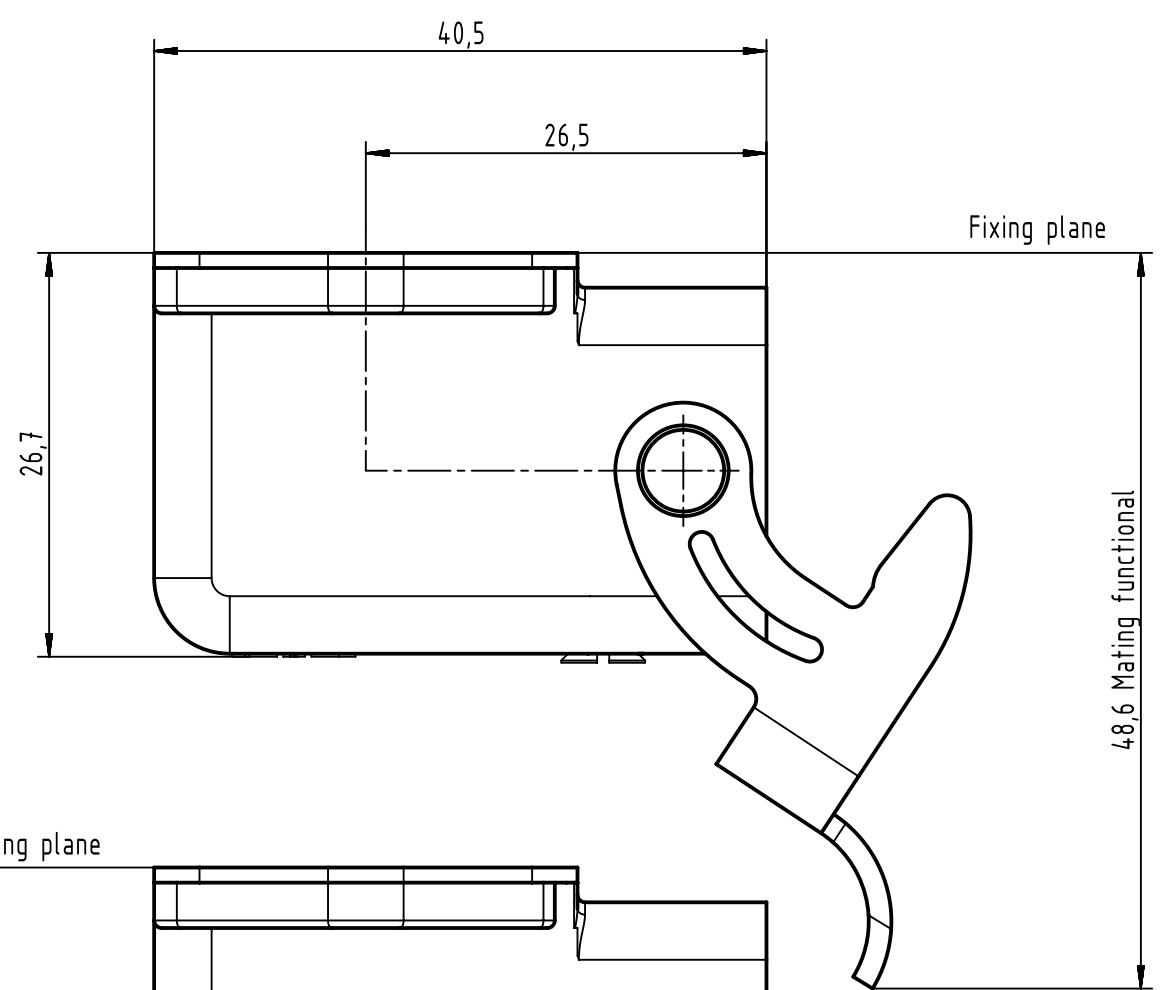
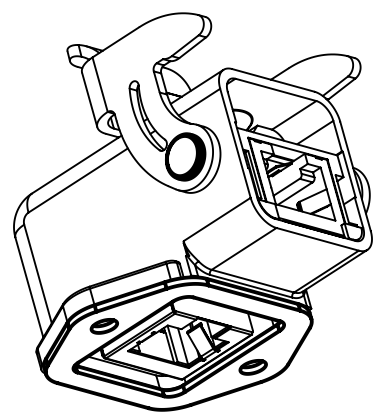


Recommended panel cutout dimensions



Matable with IEC 61076-3-106 variant 05

Panel feed through pitch on panel = 41 mm



| | | | | | | | | | | | | | |
|---|-----------------------|---------|---|--------------------|---|--|--------------------------|--|-----------------|--|---------------------|--|--|
| | All rights reserved | | Created by DOUGE | | Inspected by BAGDIKIAN | | Standardisation HOFFMANN | | Date 2013-08-21 | | State Final Release | | |
| | Department EC PD - FR | | Title RJ Industrial Han3A Panel feed through 90° angled metal | | Doc-Key / ECM-Nr. 100229065/UGD/002/A 50000065462 | | Rev. A | | Page 1/1 | | | | |
| HARTING Electronics GmbH D-32339 Espelkamp | | Type TB | | Number 09452151108 | | | | | | | | | |