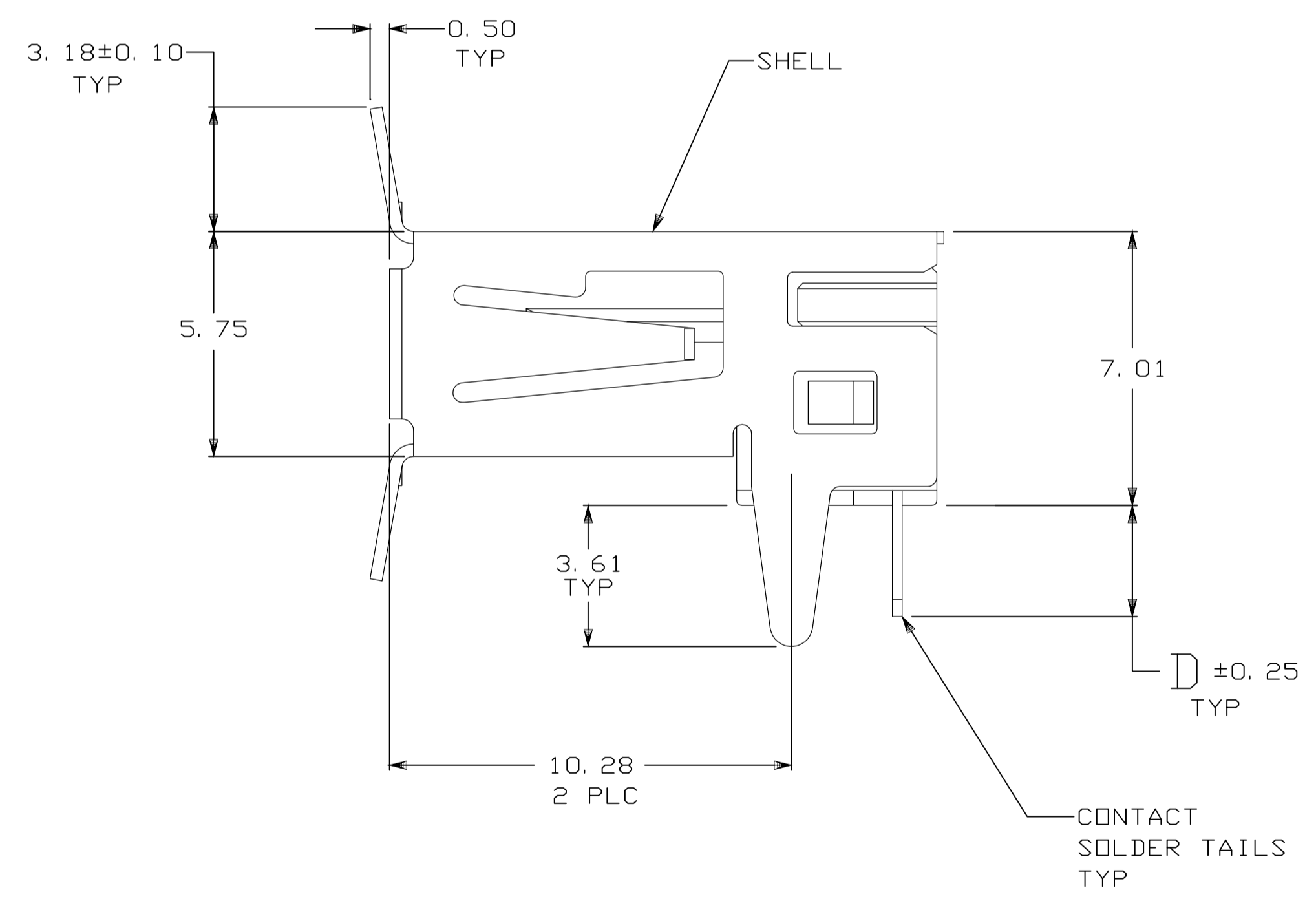
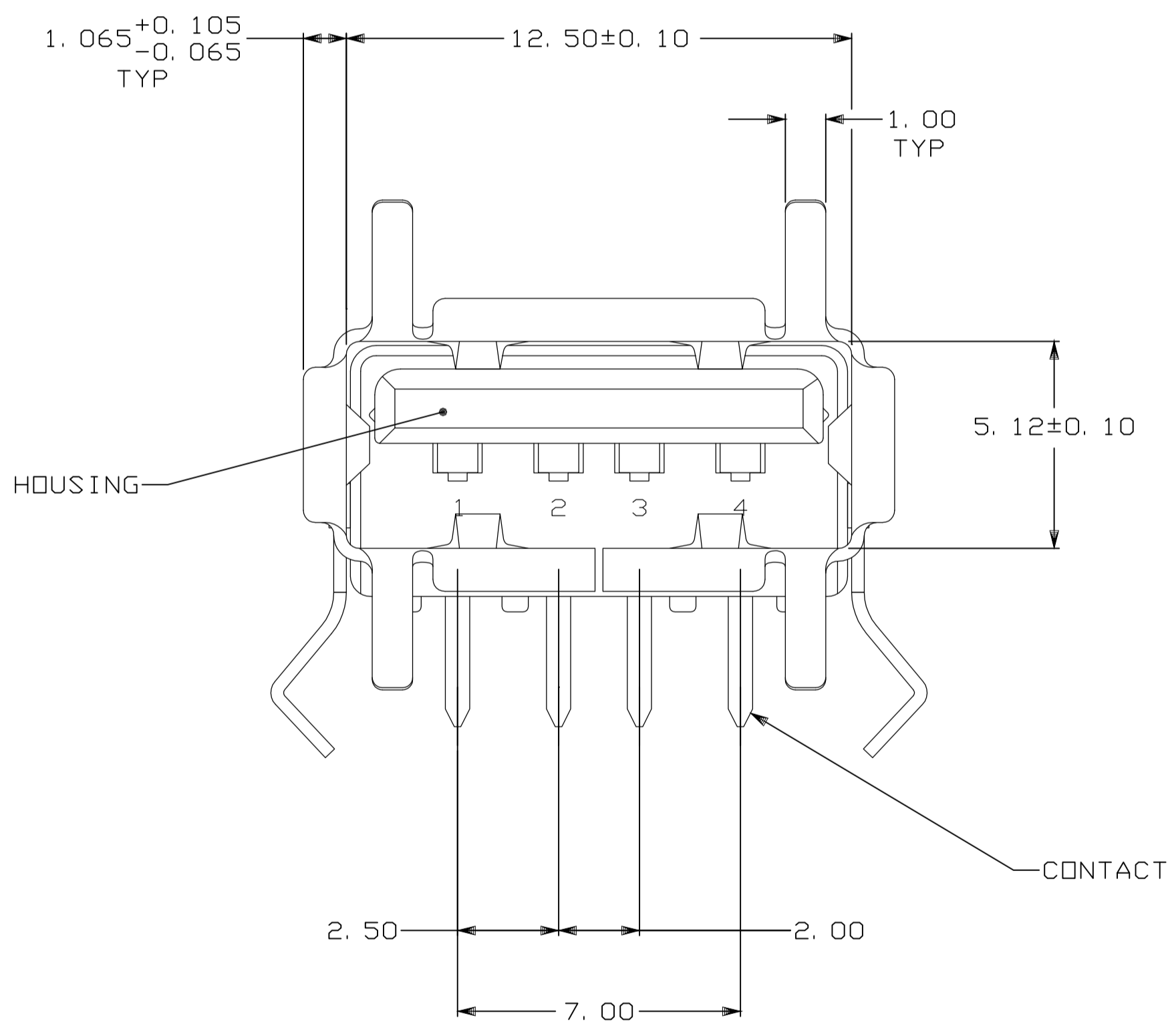


- △ MATERIAL:
SHELL & CONTACTS- COPPER ALLOY.
HOUSING- UL 94V-0 RATED, THERMOPLASTIC, BLACK.
- △ PLATING:
CONTACTS- 0.076um MINIMUM GOLD OVER 0.76um MINIMUM PALLADIUM-NICKEL ON MATING AREA.
3.8um MINIMUM MATTE TIN ON SOLDER TAILS.
BOTH OVER 1.27um MINIMUM NICKEL.
CONTACT ALTERNATE PLATING: 0.76um MIN GOLD ON MATING AREA, 3.80um MIN MATTE TIN ON SOLDER TAILS, BOTH OVER 1.27um MIN NICKEL.
SHELL: 2~5um MINIMUM BRIGHT TIN OVER 1.0~3.0um NICKEL.
- △ DATUM AND BASIC DIMENSIONS ESTABLISHED BY CUSTOMER.
- △ RECOMMENDED PC BOARD THICKNESS OF 1.57.
- △ PLATING:
CONTACT PLATING: 0.38um MIN GOLD ON MATING AREA, 3.80um MIN MATTE TIN ON SOLDER TAILS, BOTH OVER 1.27um MIN NICKEL.
SHELL: 2~5um MINIMUM BRIGHT TIN OVER 1.0~3.0um NICKEL.
- △ OBSOLETE PARTS: OBSOLETE CIS STREAMLINING PER D.RENAUD/D.SINISI



△	YES	3.30	BLACK	5787761-8
△	YES	3.30	BLACK	5787761-7
△	YES	2.29	BLACK	5787761-6
△	NO	2.84	NATURAL	5787761-3
△	NO	2.29	BLACK	5787761-2
△	NO	2.84	BLACK	5787761-1
△	FINISH	HIGH TEMPERATURE COMPATIBLE	D	HOUSING COLOR
△				PART NUMBER

THIS DRAWING IS A CONTROLLED DOCUMENT.

DIMENSIONS:	TOLERANCES UNLESS OTHERWISE SPECIFIED:	DIN	ROY HAO	18JUN04
mm		CHK	STEVEN YAO	18JUN04
		APVD	IENOMOTO	18JUN04
		NAME	RECEPTACLE ASSEMBLY, RIGHT ANGLE	
		PRODUCT SPEC	4 POS, THRU-HOLE, USB	
		APPLICATION SPEC		
MATERIAL	FINISH	SIZE	CAGE CODE	DRAWING NO
△	△	A1	000779	5787761
		WEIGHT		
		CUSTOMER DRAWING	SCALE	1:1
			SHEET	1 of 1
			REV	C3

4805 (3/11)