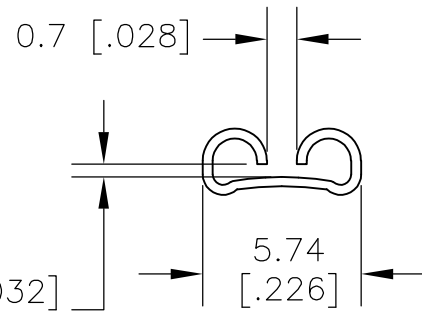
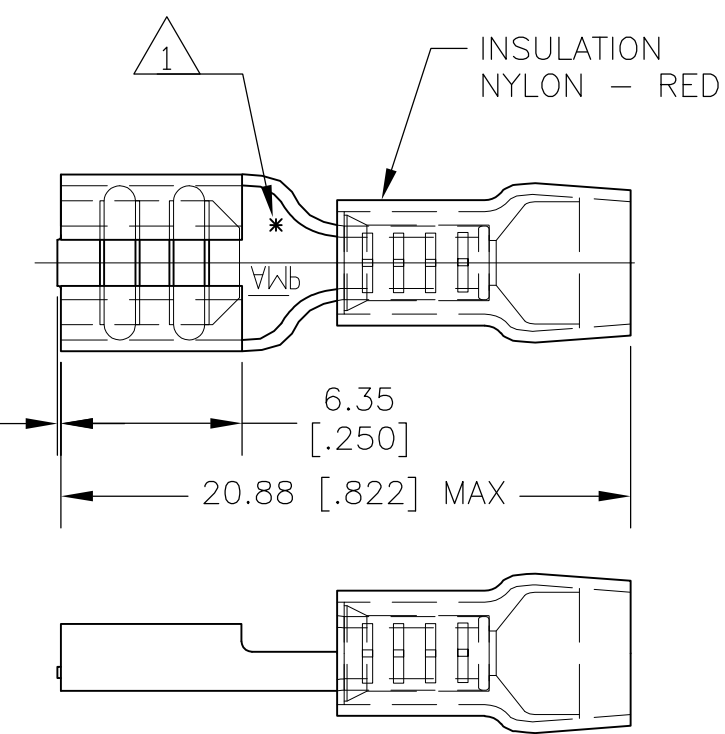


LOC	DIST	REVISIONS					
G	00	P	LTR	DESCRIPTION	DATE	DWN	APVD
		J3		REVISED PER ECO-11-004917	11MAR11	RK	HMR



- 1 ASTERISK * FOR PHOS BRONZE PARTS ONLY
- 2 WIRE SIZE IS 22-16 AWG
- 3 WIRE INSULATION RANGE IS 2.7-3.6mm [.105-.140] DIA

TAPPE MOUNTED	TIN	PHOS BRONZE	5-160483-5
	TIN	BRASS	5-160483-1
LOOSE PIECE	GOLD	PHOS BRONZE	9-160483-7
	SILVER	PHOS BRONZE	9-160483-6
	TIN	PHOS BRONZE	9-160483-5
	GOLD	BRASS	9-160483-4
	SILVER	BRASS	9-160483-3
	TIN	BRASS	9-160483-1
PACKAGE TYPE	TERMINAL PLATING	TERMINAL MATERIAL	PART NO

THIS DRAWING IS A CONTROLLED DOCUMENT.		DWN jr ruth 07DEC07	STE TE Connectivity	
DIMENSIONS: MM[INCHES]		CHK T MICHIELUTTI 07DEC07		
TOLERANCES UNLESS OTHERWISE SPECIFIED:		APVD T MICHIELUTTI 07DEC07	NAME RECEPTACLE, PIDG, FASTON, 4.75 [.187] SERIES	
0 PLC ± - 1 PLC ± - 2 PLC ± 0.20 [.008] 3 PLC ± - 4 PLC ± - ANGLES ± 5°		PRODUCT SPEC -	RESTRICTED TO -	
MATERIAL -	FINISH -	APPLICATION SPEC -	SIZE A3	CAGE CODE 00779
		WEIGHT -	DRAWING NO C-160483	
CUSTOMER DRAWING			SCALE 4:1	SHEET 1 of 1
			REV J3	