

Double Contact Candelabra Bayonet

12 SERIES

- DOUBLE CONTACT CANDELABRA BAYONET NON-GROUNDED LAMPHOLDERS
- 6" WIRE LEADS • ZINC PLATED STEEL SHELL
- MAXIMUM RATING: 75 WATTS, 125 VOLTS
- UL LISTED • UL FILE E20356

Overview

The 12 Series lampholders are constructed with a zinc plated steel shell, with two brass contacts mounted on a phenolic-insulating disc and two 6" wire leads. The bracket and shell are grounded independent of the contacts. Lampholders are designed for use with double contact candelabra bayonet lamps.

Specifications

Shell: zinc plated steel.

Custom shells also available:

Double contact indexed shell: add **-DX** to end of part number. For example, **12-207** changes to **12-207-DX** for indexed shell. Shell is only available in zinc plated steel.

Brass shell: add **-BR** to the end of a part number. For example, **12-207** changes to **12-207-BR** for brass shell.

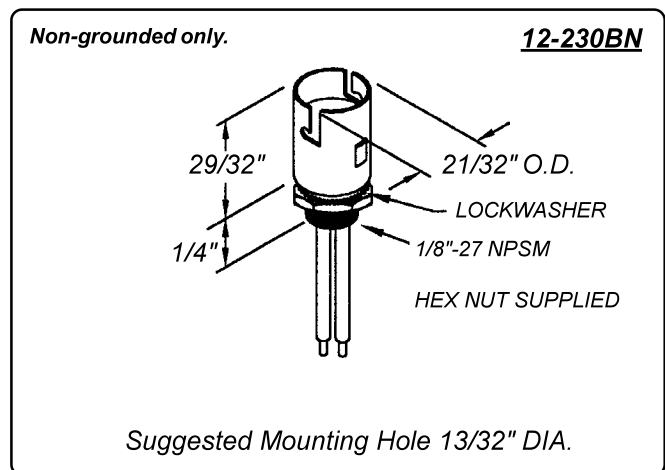
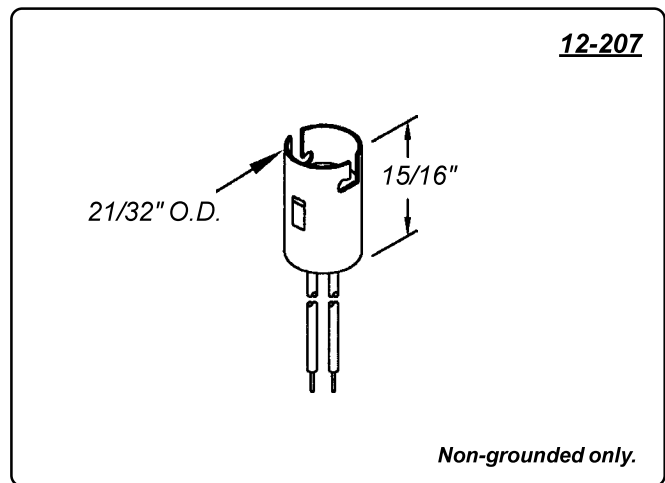
Center contacts: nickel plated brass supplied with phenolic insulating disc. A custom ceramic insulating disc is also available.

Spring: zinc plated steel. A custom stainless steel spring is also available.

Wire leads: 6" **Leads:** #18 AWG, black, bare copper, PVC insulated, UL/CSA rated 105° C, stripped 1/2". Non-grounded units are supplied with two 6" wire leads. Custom wire lengths, stripping, termination and wire types are also available.

Mounting: Brackets: 0.025" to 0.032" zinc plated steel. Custom brackets and plating types are available. **Plug buttons:** zinc plated steel for 15/16" mounting holes. **Threaded bushing:** for 13/32" mounting hole. Supplied with lockwasher and hex nut.

Maximum rating: 75 Watts, 125 Volts.



Can't find it here? We have many more standard and custom solutions

For further information, phone Customer Service at 800.522.5546.

Double Contact Candelabra Bayonet

12 SERIES

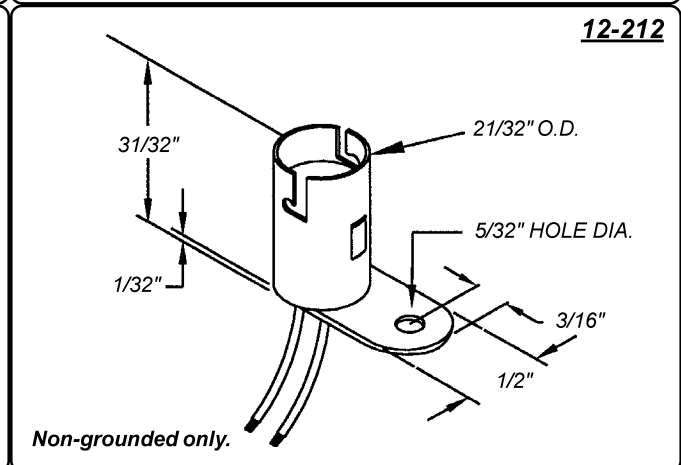
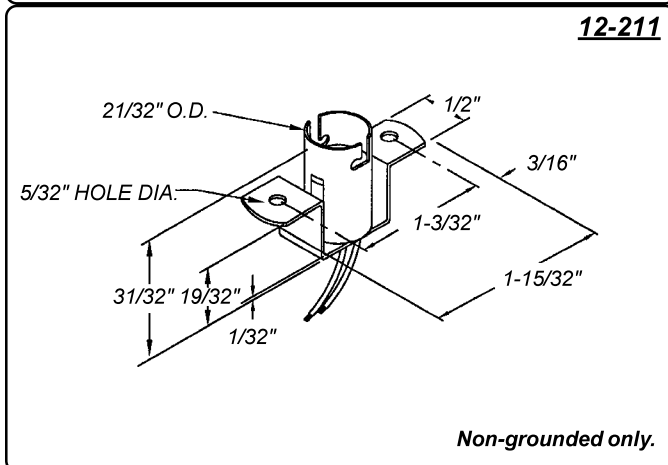
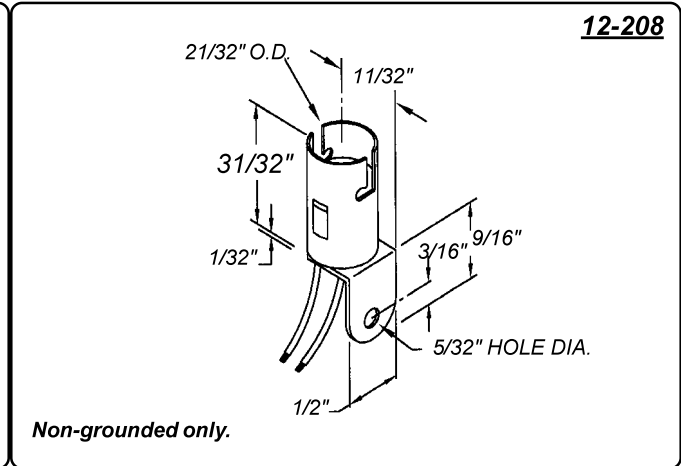
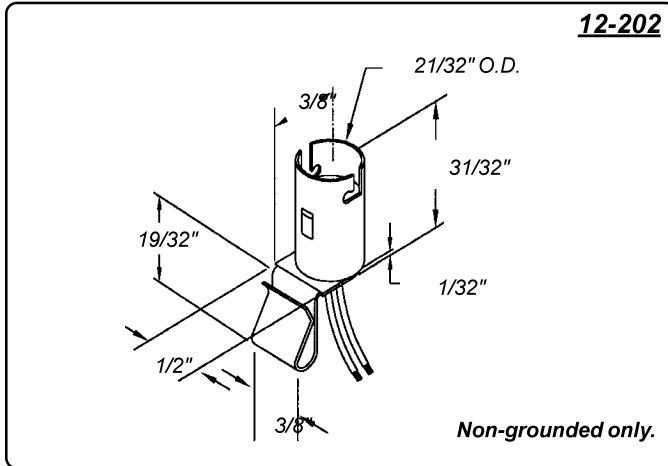
UL LISTED

Maximum Rating: 75 Watts, 125 Volts

Zinc Plated Shell

Non-Grounded

6" Wire Leads



12-215
12-218
12-282

Non-grounded only.

Mounting Hole Diagram

Bracket No.	"A" Dimension
-15	1-5/32"
-18	1-13/32"
-82	15/16"

Maximum Panel Thickness .045"

Double Contact Candelabra Bayonet

12 SERIES

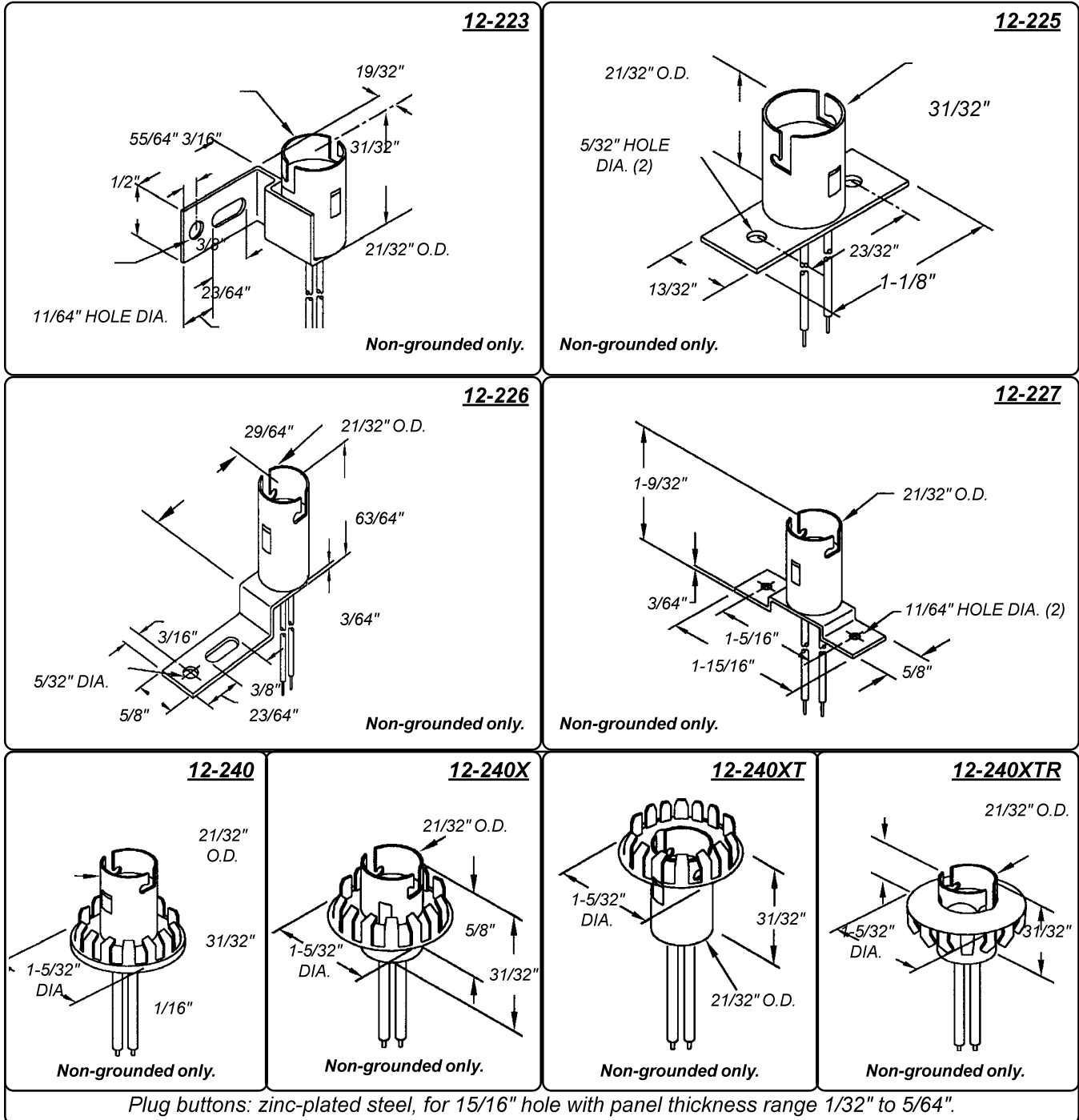
UL LISTED

Maximum Rating: 75 Watts, 125 Volts

Zinc Plated Shell

Non-Grounded

6" Wire Leads



Double Contact Candelabra Bayonet

12 SERIES

UL LISTED

Maximum Rating: 75 Watts, 125 Volts

Zinc Plated Shell

Non-Grounded

6" Wire Leads

<p>Non-grounded only. 12-240XTPL</p> <p>Plug button: natural nylon, for 15/16" hole. Panel thickness range 1/32" to 5/64". Maximum Rating: 30 Watts, 28 Volts.</p>	<p>Non-grounded only. 12-245</p>	<p>Non-grounded only. 12-255</p>
<p>Non-grounded only. 12-272</p> <p>For reversed bracket: 12-271.</p>	<p>12-PAR36-W</p> <p>Reflector units: vacuum metalized steel. Other available units: 12-PAR22-W (2-7/8" DIA.) 12-PAR18-W (2-13/32" DIA.) Non-grounded only.</p>	
<p>Non-grounded only. 12-275</p>	<p>12-212XP90-9</p> <p>Non-grounded only.</p>	