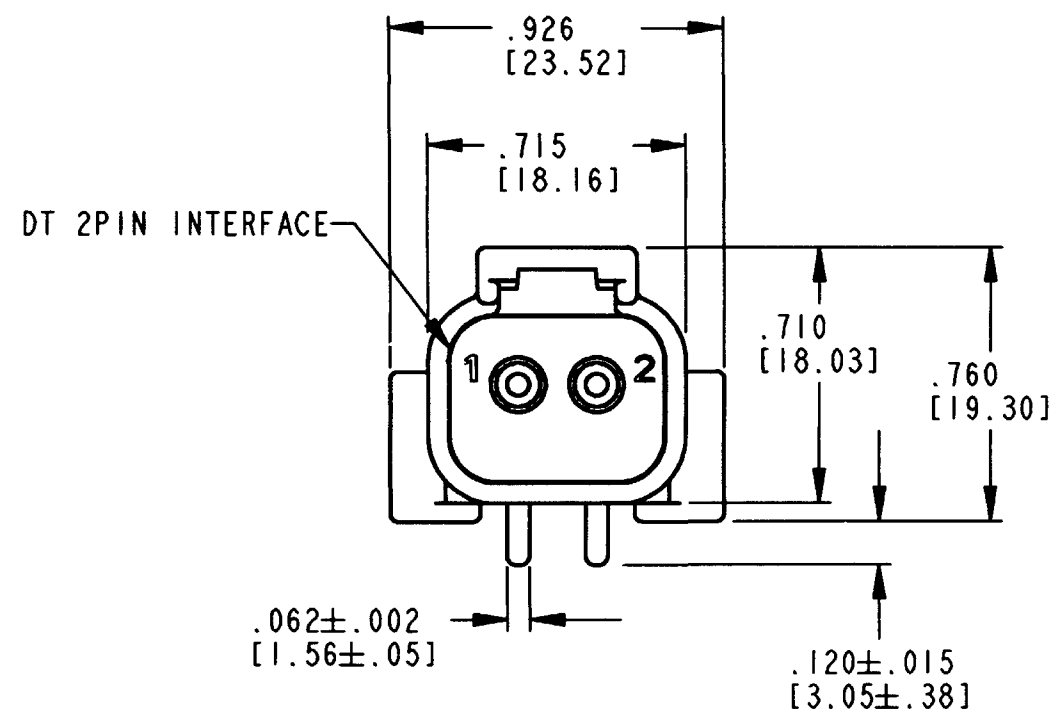


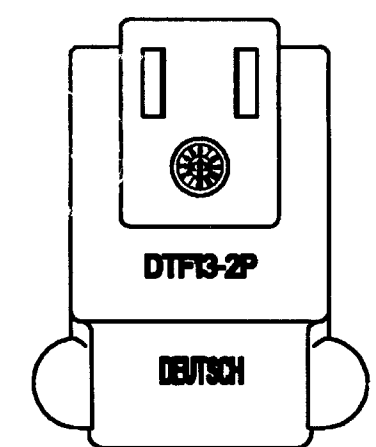
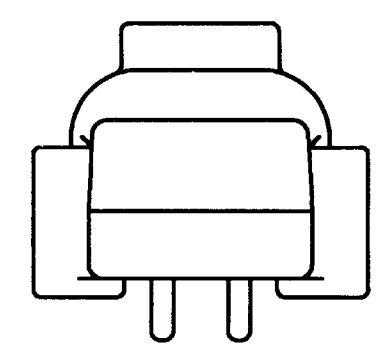
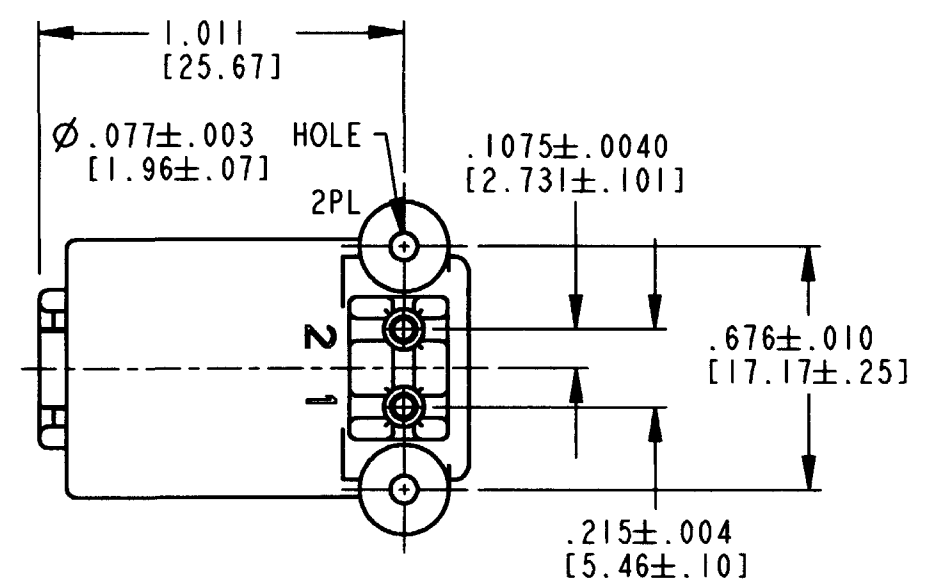
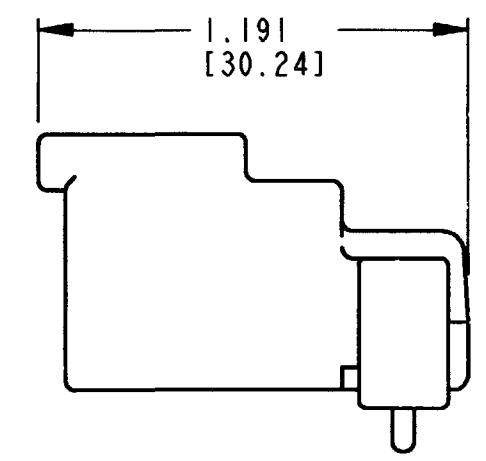
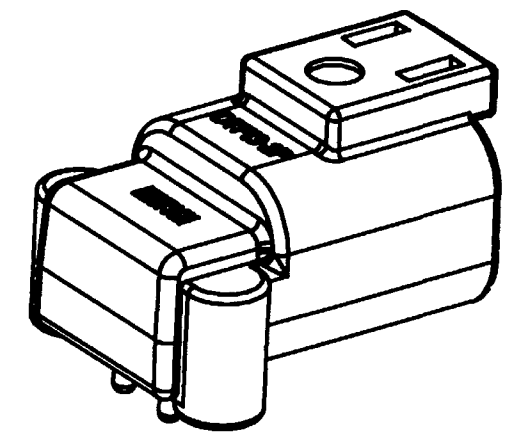
REV
NC

DTF13-2P

| REVISIONS | | | |
|-----------|-----------------------------|---------|--------------------|
| SYM | DESCRIPTION | DATE | APPROVED |
| NC | NEW RELEASE PER E.O. PI6803 | 7/12/00 | <i>[Signature]</i> |
| | | | |
| | | | |



3D VIEW



5. MATERIALS: HOUSING - HIGH TEMPERATURE NYLON BLACK
PINS - TIN PLATED
4. CONNECTOR MATES WITH THE DT06-2S-**** AND USES WEDGE PART NO. W2S.
(**** = ALL MODIFICATIONS) CONSULT FACTORY FOR MODIFICATIONS.
3. Ø.077 [Ø1.96] REF HOLE ARE FOR SIZE 2 SCREWS.
2. DIMENSIONS ARE ±.025[±.63] UNLESS OTHERWISE SPECIFIED.
1. ALL DIMENSIONS ARE IN INCHES [METRIC].

NOTES:

| SIGNATURE & DATE | |
|------------------|----------------------------|
| DR | M. GONZALEZ 8/8/00 |
| CHK | <i>[Signature]</i> |
| PE | <i>[Signature]</i> 8/9/00 |
| APPD | <i>[Signature]</i> 8/14/00 |
| SCALE | NONE WT |

90° RECEPTACLE
FLANGELESS 2 PIN CONNECTOR
DTF SERIES
16 SIZE
KEY NONE
COLOR BLACK

ENVELOPE

| | |
|---|-----------------------|
| CP | MATL. CODE |
| The Deutsch Company DEUTSCH I.P.D. 3850 INDUSTRIAL AVE. HEMET, CALIF. 92545 | |
| B | DTF13-2P |
| DWG SIZE | CODE 11139 SHEET OF |