

MATERIALS AND FINISHES

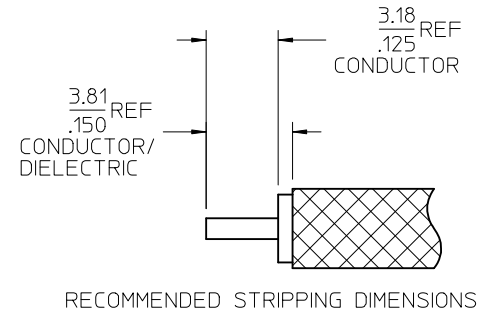
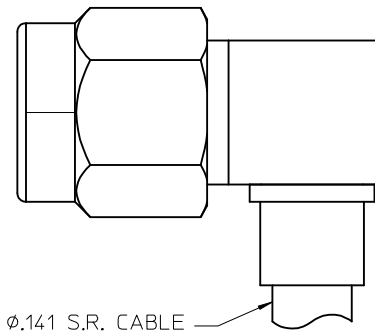
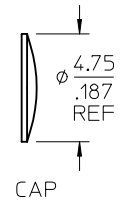
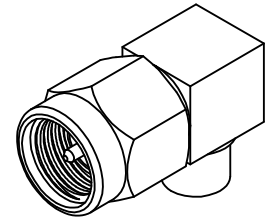
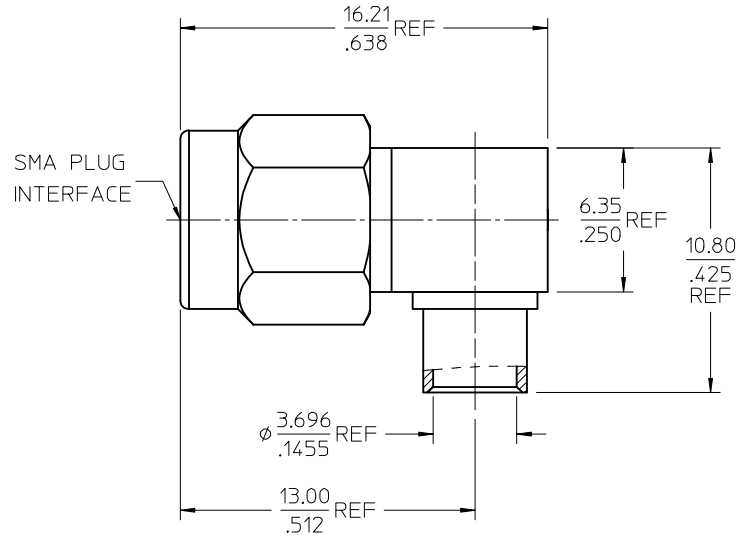
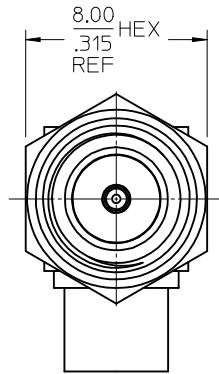
BODY, CAP, COUPLING NUT: BRASS
FINISH: SEE TABLE

CENTER CONTACT: BERYLLIUM COPPER
FINISH: GOLD

INSULATOR: TEFLON

RETAINING RING: BERYLLIUM COPPER

GASKET: SILICONE RUBBER



73251-0553	GOLD	NICKEL	NICKEL	TRAY
73251-0552	GOLD	GOLD	GOLD	-0551 ONE PER BAG
73251-0551	GOLD	GOLD	GOLD	TRAY
73251-0550	NICKEL	NICKEL	NICKEL	TRAY
PART NO.	BODY	CAP	COUPLING NUT	PACKAGING

CHG:ADDED -0553 PER PDR15072025 IEC NO: URF2016-0113 DRW:RYEH 2015/08/13 CHKD: APPR:YCHENG 2015/08/21	QUALITY SYMBOLS	GENERAL TOLERANCES (UNLESS SPECIFIED)	DIMENSION STYLE	SCALE	DESIGN UNITS	THIRD ANGLE PROJECTION
	▽=0	mm INCH	MM/IN	6:1	METRIC	
	▽=0	4 PLACES ± --- ± ---	DRAWN BY DATE	TITLE	SMA PLUG,R/A FOR .141 SR CABLE, 50 OHMS	
	▽=0	3 PLACES ± --- ± ---	CHECKED BY DATE	SMA-PC/RA, EWR-3594		molex
		2 PLACES ± --- ± ---	APPROVED BY DATE	DOCUMENT NO.		SHEET NO.
		1 PLACE ± --- ± ---	GMH 2000/05/24	SD-73251-055		1 OF 1
		0 PLACE ± ±	MATERIAL NO.	THIS DRAWING CONTAINS INFORMATION THAT IS PROPRIETARY TO MOLEX INCORPORATED AND SHOULD NOT BE USED WITHOUT WRITTEN PERMISSION		
		ANGULAR ± 2 °	SEE TABLE			
		DRAFT WHERE APPLICABLE MUST REMAIN WITHIN DIMENSIONS	SIZE			