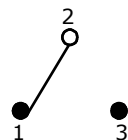
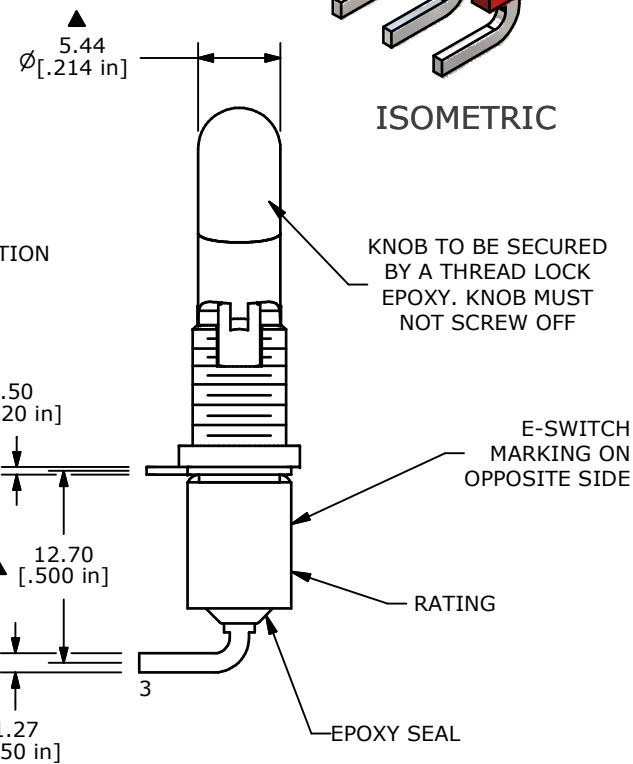
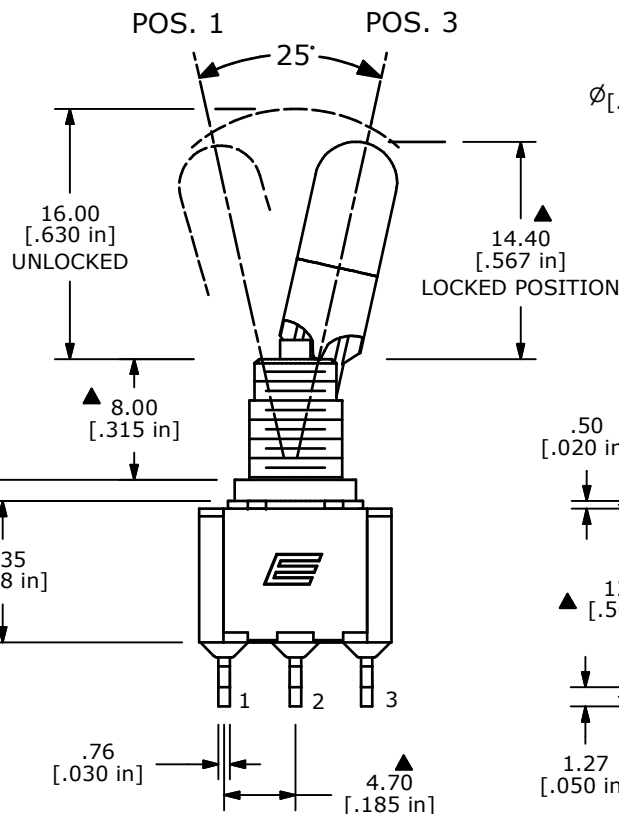


▲ SWITCH FUNCTION		
POS. 1	POS. 2	POS. 3
ON	NONE	ON
2-3	OPEN	2-1



CIRCUIT: SPDT

- NOTE:
- ALL DIMENSIONS IN MM [INCH]
 - GENERAL TOLERANCE: X.X=±0.4
X.XX=±0.25
 - TERMINAL NUMBERS FOR REF ONLY
 - PLATING MATERIAL: SILVER
 - RATING: 2 AMPS @250VAC
5 AMPS @120VAC OR 28VDC
 - LIFE EXPECTANCY: 40,000 make-and-break cycles at full load.
 - INSULATION RESISTANCE: 1,000 Mega-ohm min.
 - CONTACT RESISTANCE: 10 Milli-OHMS MAX.
 - DIELECTRIC STRENGTH: 1,000 V RMS @sea level.
 - OPERATING TEMP.: -30°C to 85°C
 - ▲ DENOTES CRITICAL PARAMETER.
 - 2002/95/EC (ROHS) COMPLIANT
 - PACKAGE: TRAY/72 PIECES PER



ISOMETRIC

KNOB TO BE SECURED BY A THREAD LOCK EPOXY. KNOB MUST NOT SCREW OFF

A	19145	Release For Production	7/6/10	BLR
REV	PCR NO	DESCRIPTION	DATE	BY

THE INFORMATION CONTAINED IN THIS DOCUMENT IS PROPRIETARY TO E-SWITCH AND IS NOT TO BE COPIED OR TRANSFERRED

TITLE 100SP1K1B26M6QE				
SCALE	DATE	DR	DWG	REV
2:1	7/6/2010	BLR	T116015	A