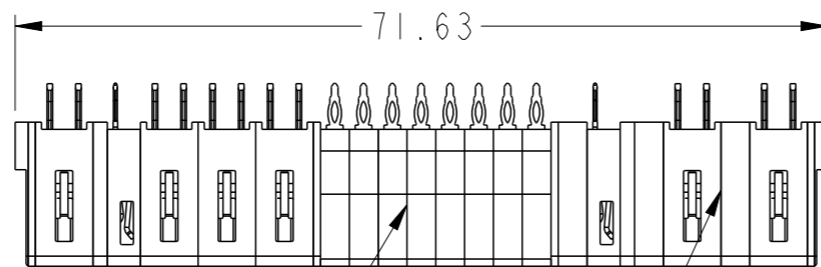
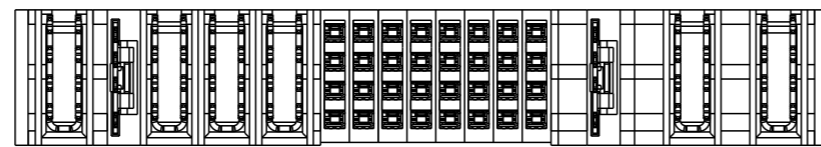
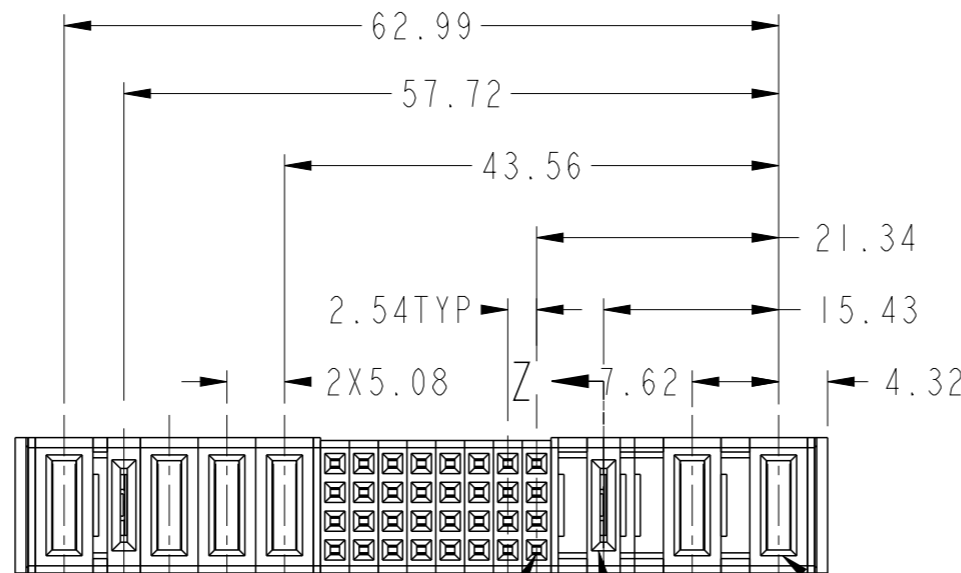


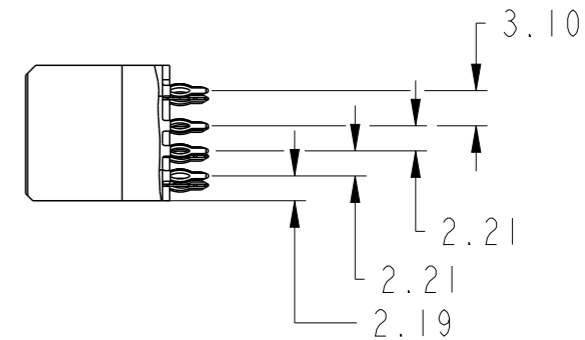
PRODUCT NUMBER SEE SHEET 2



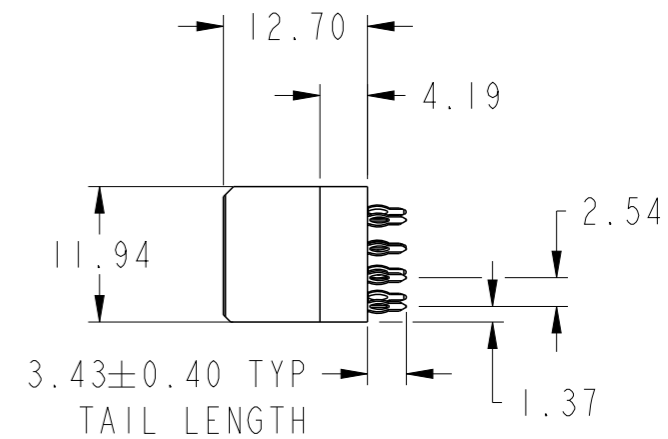
NOTE 1 VOID CORING OPTION, TYP SEE NOTE 9



SIGNAL PIN POS. AI LOW POWER POS. LI HIGH POWER POS. PI



SECTION Z-Z



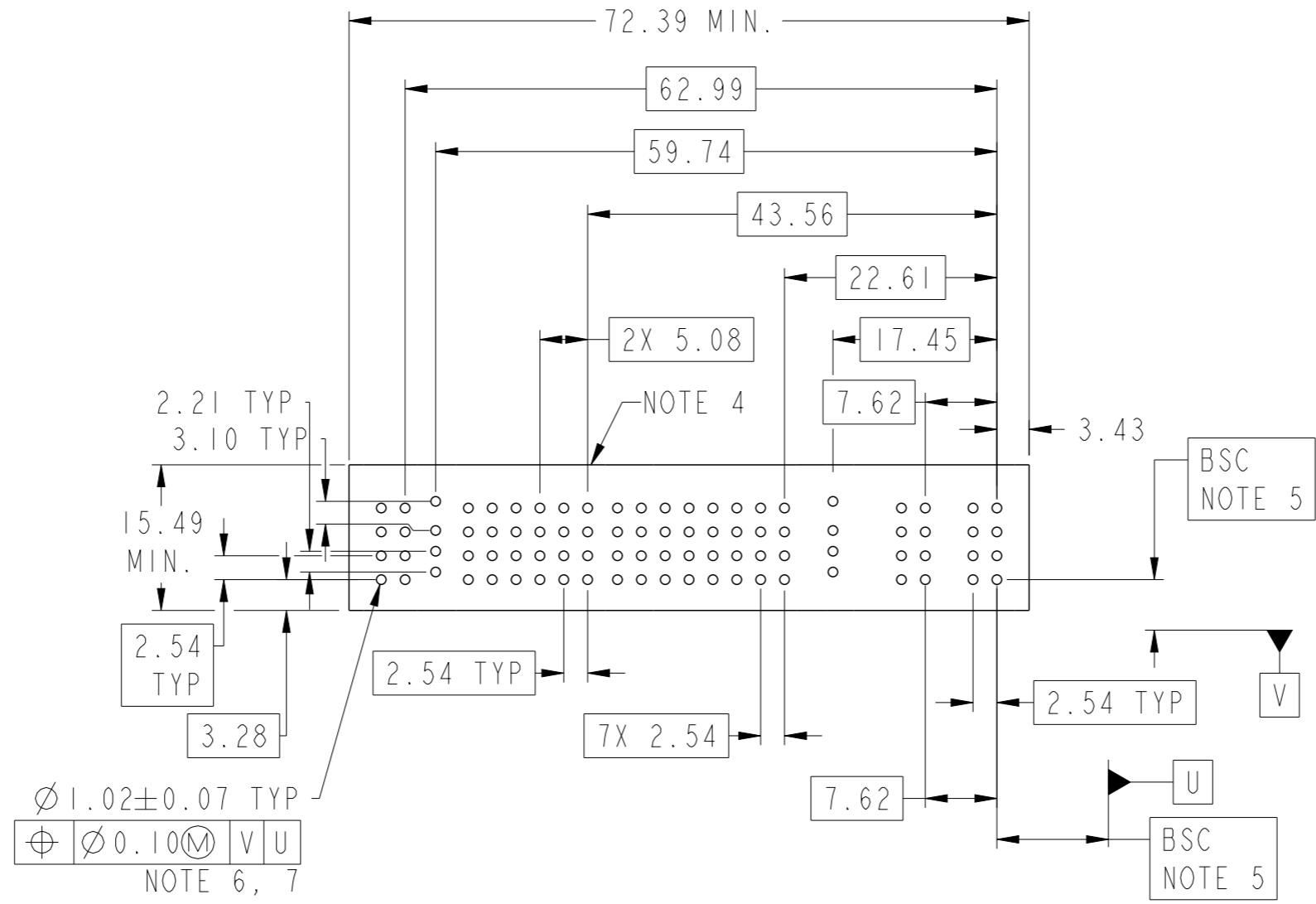
spec ref		dr	Peng-Bing Fu	2012/10/31	projection	MM	size	A3	scale	3:2
tolerance std ASME Y14.5		TOLERANCES UNLESS OTHERWISE SPECIFIED			eng	Peng-Bing Fu	2013/03/15	ecn no	-	
		chr	-			appr	Pei-Ming Zheng	2013/03/15	product family	PowerBlade+
							rel level	Released		
surface		linear	0.X	±0.50		2ACP+ILP+32S+3HDP+ILP+IP		dwg no 10106269-6208001	rev	
			0.XX	±0.25		VT PF RECEPTACLE			A	
			0.XXX	±0.10						
ASME Y14.5		angular	0°	±2°	www.fci.com	cat. no.	Product - Customer Drw		sheet 1 of 3	



Copyright FCI.

PRODUCT NO.	ROWS	POWER					SIGNAL					LP	HP			E1	E2
		P6	P2	P5	P4	P3	8	7	6	5	4	3	2	1	LP1		
10106269-6208001LF	D C B A	HG	LT	HG	HG	HG	F	F	F	F	F	F	F	F	LT	HG	HG

CODE	DESCRIPTION
F	STD SIGNAL CONTACT
HG	STD HIGH POWER CONTACT (3.43)
LT	STD LOW POWER CONTACT (3.43)



$\text{Ø } 1.02 \pm 0.07 \text{ TYP}$   
 $\text{Ø } 0.10 \text{ (M)}$  V U  
 NOTE 6, 7



Copyright FCI.

dr	Peng-Bing Fu	2012/10/31	projection	MM	size	A3	scale	3:2
eng	Peng-Bing Fu	2013/03/15			ecn no		-	
chr	-	-			rel level		Released	
appr	Pei-Ming Zheng	2013/03/15	product family		PowerBlade+			
			2ACP+ILP+32S+3HDP+ILP+IP VT PF RECEPTACLE			dwg no 10106269-6208001		rev A
www.fci.com			cat. no.		Product - Customer Drw			sheet 2 of 3

A

B

C

D

A

B

C

D

NOTES:

- 1) "FCI", PART NUMBER AND DATE CODE TO BE MARKED ON THIS SURFACE.  
THE MARK CAN BE OMITTED IF THERE IS NOT ENOUGH SPACE ON THIS SURFACE.
- 2) MATERIALS:  
-HOUSING - GLASS FILLED WITH HIGH TEMP THERMOPLASTIC, UL94V-0.  
-SIGNAL CONTACT - COPPER ALLOY.  
-POWER CONTACT - HIGH CONDUCTIVITY COPPER ALLOY.
- 3) PLATING SPECIFICATION REFER TO FCI 10116351
- 4) DENOTES CONNECTOR KEEP OUT ZONE.
- 5) DATUM AND BASIC DIMENSIONS WERE ESTABLISHED BY CUSTOMER.
- 6) ALL HOLE DIAMETERS ARE FINISHED HOLE SIZES.
- 7) 1.15 ± 0.025MM DRILLED HOLE PLATED WITH 0.00762MM MIN Sn  
OVER 0.0254-0.0762MM Cu PLATING TO ACHIEVE A 1.02 ± 0.07MM HOLE.
- 8) PRODUCT SPECIFICATION REFER TO FCI GS-12-658.  
APPLICATION SPECIFICATION REFER TO FCI GS-20-141.  
PRODUCT PACKAGED IN TRAYS, REFER TO FCI GS-14-1502.
- 9) THE VOID CORING IN BETWEEN POWER MODULES, SIGNAL  
MODULES AND END MODULES ARE OPTIONAL AND THE SHAPE  
MAY BE DIFFERENT FOR OPTIMIZE THE MOLDING PROCESS. THE  
VOID CORING WILL NOT EFFECT TO PRODUCT FUNCTION.



Copyright FCI.

dr	Peng-Bing Fu	2012/10/31	projection 	MM 	size	A3	scale	1:1
eng	Peng-Bing Fu	2013/03/15			ecn no	-		
chr	-	-			rel level	Released		
appr	Pei-Ming Zheng	2013/03/15	product family	PowerBlade+				
		2ACP+ILP+32S+3HDP+ILP+IP		dwg no	10106269-6208001		rev	A
www.fci.com		cat. no.	Product - Customer Drw		sheet 3 of 3			