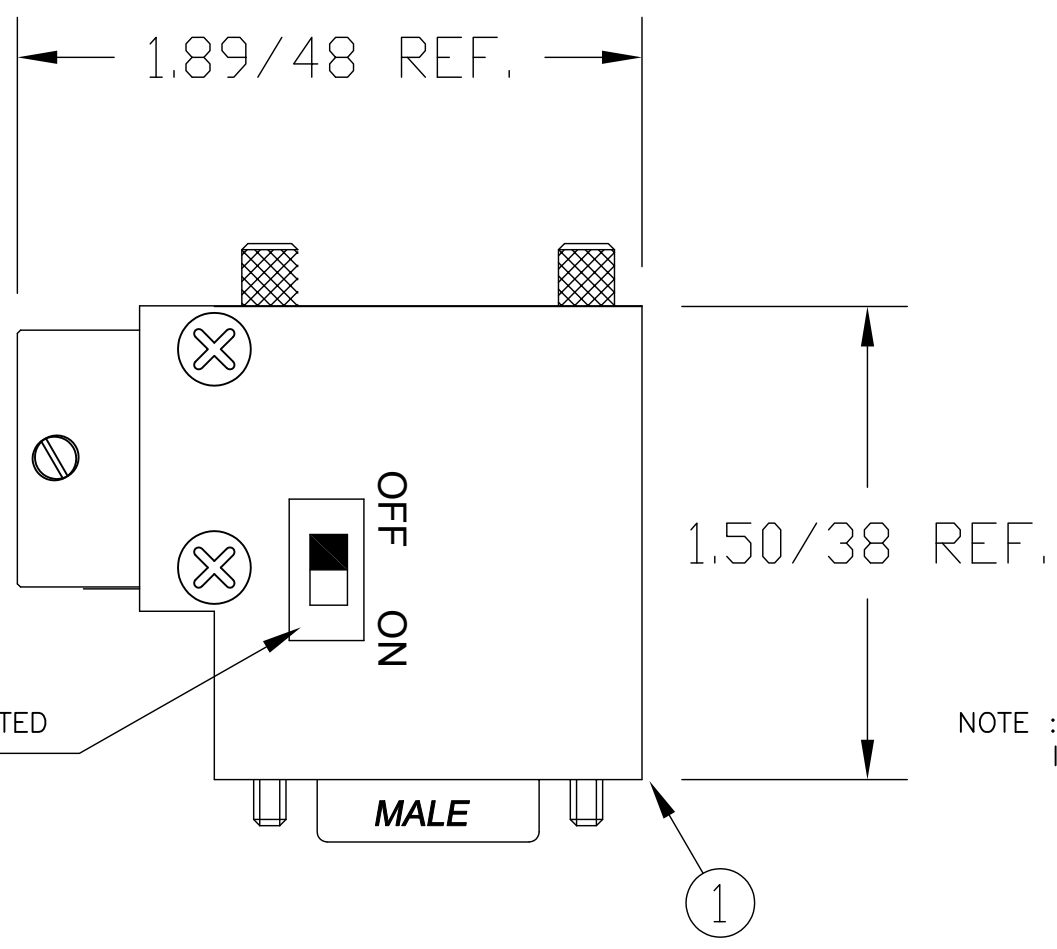
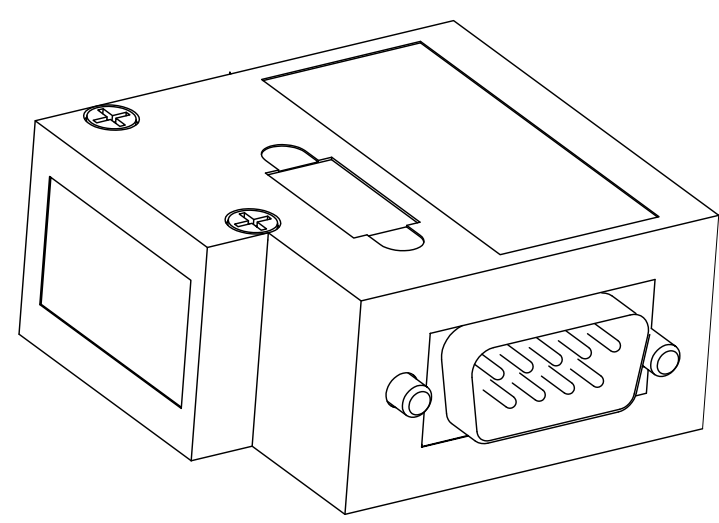
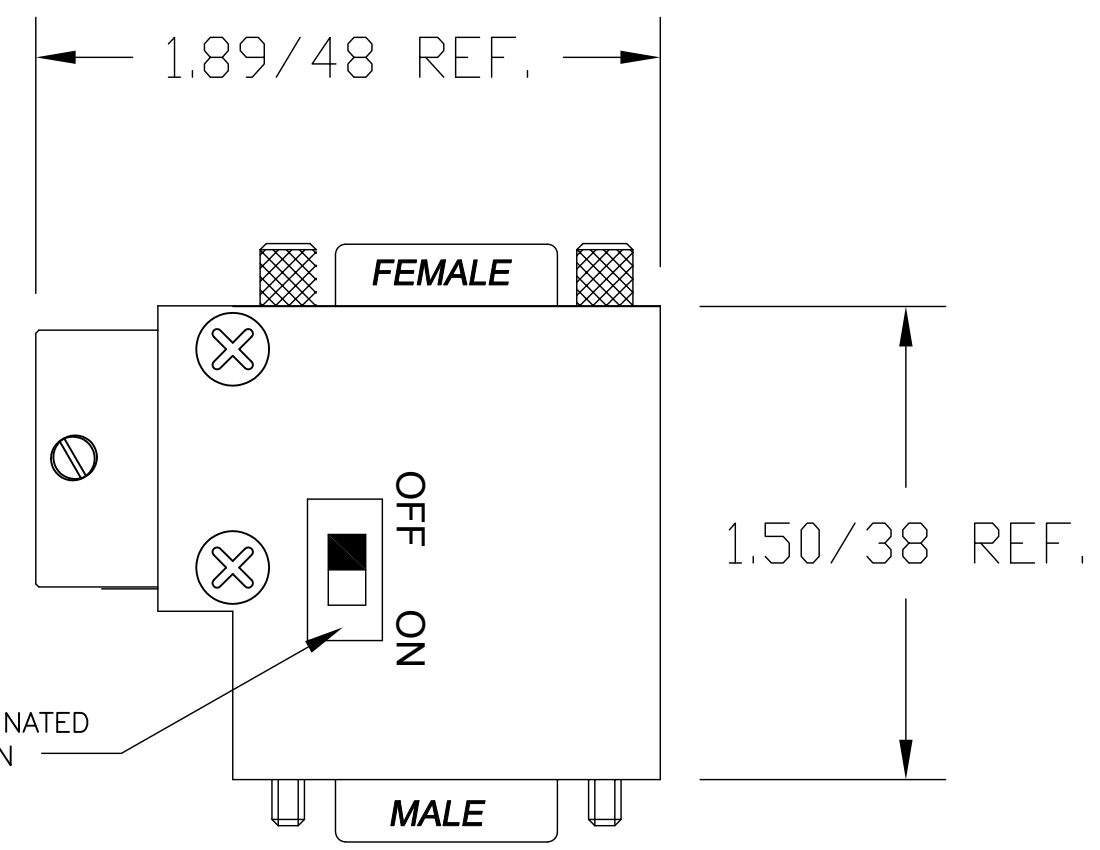


MATERIAL NUMBER	ENGINEERING NUMBER	PROGRAMMING PORT
120100-0003	MA9DP0-32	YES
120100-0004	MA9D00-32	NO



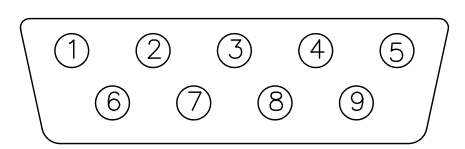
NOTE : UNIT IS SUPPLIED UN-TERMINATED
IE: - SWITCH IN OFF POSITION

DSUB WITHOUT PROGRAMMING PORT

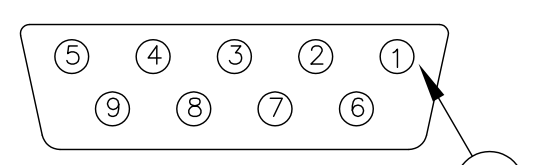


NOTE : UNIT IS SUPPLIED UN-TERMINATED
IE: - SWITCH IN OFF POSITION

DSUB WITH PROGRAMMING PORT



9 WAY D-SUB MALE FACE VIEW



9 WAY D-SUB FEMALE FACE VIEW

VOLTAGE RATING	250 VAC/VDC
AMPERAGE RATING	4 AMPS
PROTECTION FOR D-SUB	IP40
OPERATING TEMPERATURE - D-SUB	0°C TO 60°C

ITEM	COMPONENT	MATERIAL	FINISH
1	DSUB	ABS	BLACK
2	CONTACT	COPPER ALLOY	GOLD OVER NICKEL

RLSO DRAWING EC NO: WEU2010-0312 DRWN: BWOODMAN2010/01/28 CH'KD: KJ APPR: JFMURPHY 2010/01/29	QUALITY SYMBOL	GENERAL TOLERANCES (UNLESS SPECIFIED)	DIMENSION STYLE	SCALE	DESIGN UNITS	THIRD ANGLE PROJECTION	
	$\nabla=0$ $\sphericalangle=0$	4 PLACES ±--- 3 PLACES ±--- 2 PLACES ±0.13 1 PLACE ±0.25	IN/MM mm INCH ±--- ±--- ±--- ±.005 ±0.13 ±.010 ±0.25 ±.020	DRAWN BY DATE CHECKED BY DATE APPROVED BY DATE MATERIAL NO.	1:1 INCH	TITLE DSUB 9-PIN W/WO PROGRAMMING PORT	MOLEX INCORPORATED
	ANGULAR ±1/2° DRAFT WHERE APPLICABLE MUST REMAIN WITHIN DIMENSIONS	SEE CHART	MOLEX	DOCUMENT NO. SD-120100-003	SHEET NO. 1 OF 1		
	SIZE C	THIS DRAWING CONTAINS INFORMATION THAT IS PROPRIETARY TO MOLEX INCORPORATED AND SHOULD NOT BE USED WITHOUT WRITTEN PERMISSION					