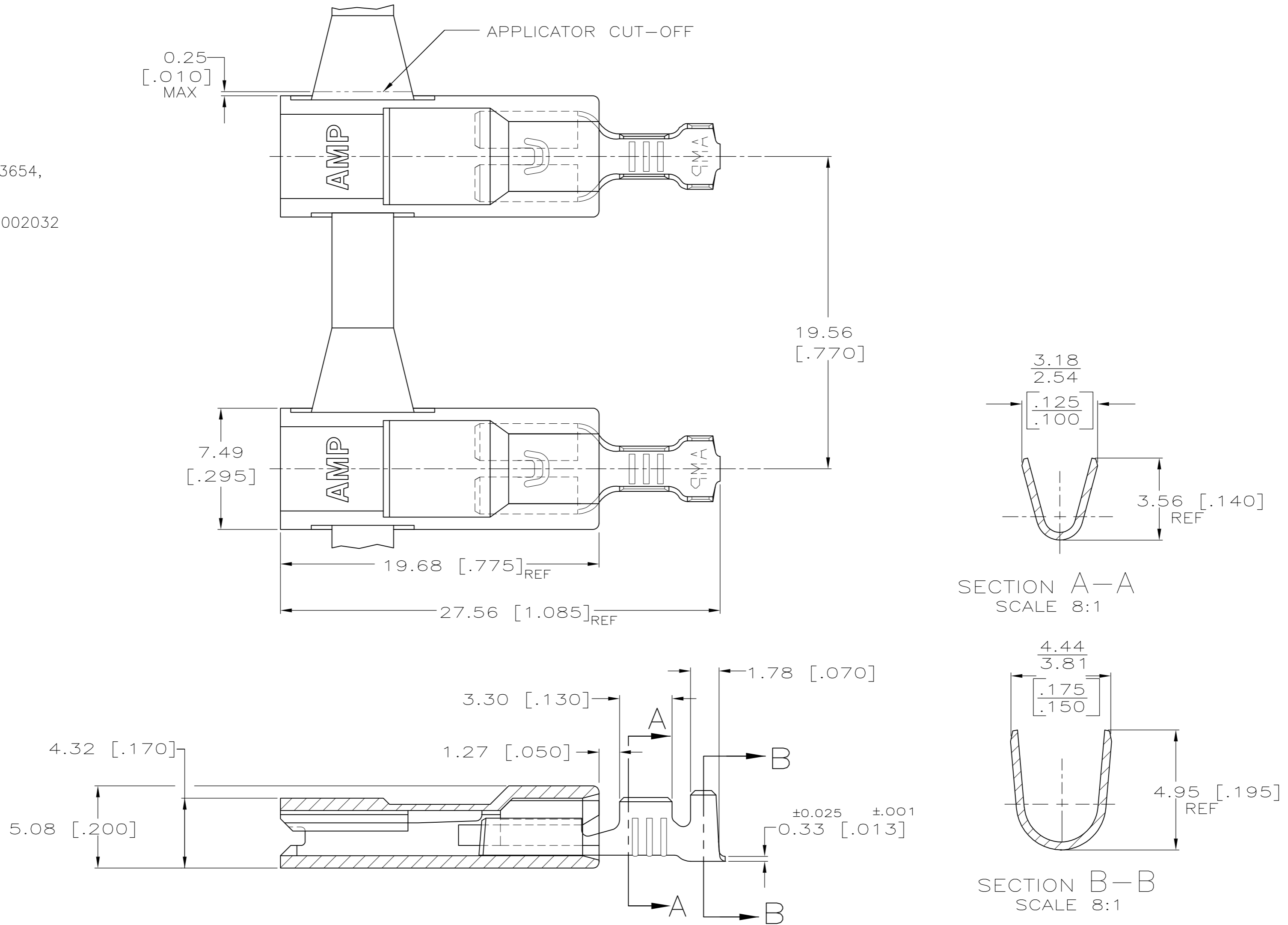


THIS DRAWING IS UNPUBLISHED. RELEASED FOR PUBLICATION
 © COPYRIGHT - By - ALL RIGHTS RESERVED.

LOC		DIST		REVISIONS			
P	LTR	DESCRIPTION		DATE	DWN	APVD	
AF	50	D		REVISED PER ECR-12-013219	08JAN13	KH	KR

- 1 FASTON TERMINALS, BASE P/N 63654, ARE USED IN THIS PRODUCT.
- 2 TIN PLATE PER MIL-T-10727, 0.002032 [.000080] MIN.



STANDARD	NATURAL	TIN Δ	2.29-3.30 [.090-.130]	0.5-1.3 mm ² [20-16]	0.813 [.032]	521284-2
	NATURAL	PLAIN				521284-1
PACKAGING	HOUSING COLOR	TERMINAL FINISH	INSULATION RANGE	WIRE SIZE	MATING TAB THK±0.025 [±.001]	PART NO

THIS DRAWING IS A CONTROLLED DOCUMENT.

DWN	JR RUTH	13MAR00
CHK	MS FEHER	13MAR00
APVD	J HUMMEL	13MAR00

TE Connectivity

ASSEMBLY, RECEPTACLE, ULTRA-POD, 4.8 [187] SERIES

SIZE	CAGE CODE	DRAWING NO	RESTRICTED TO
A2	00779	C=521284	-

CUSTOMER DRAWING

SCALE 5:1 SHEET 1 OF 1 REV D