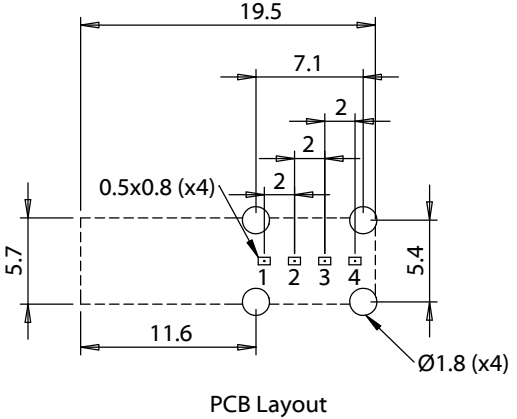
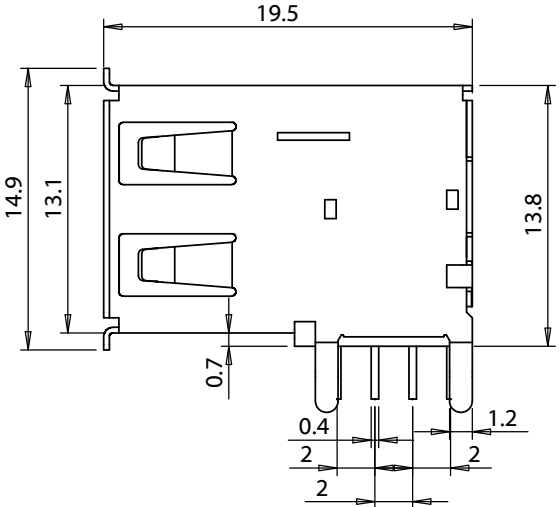
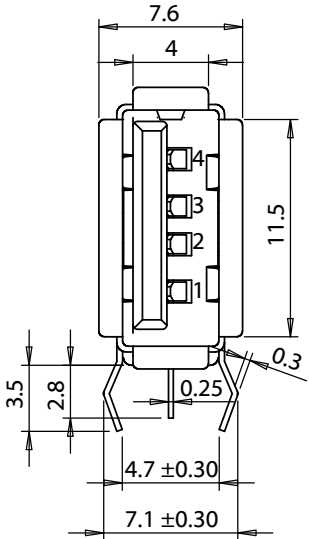
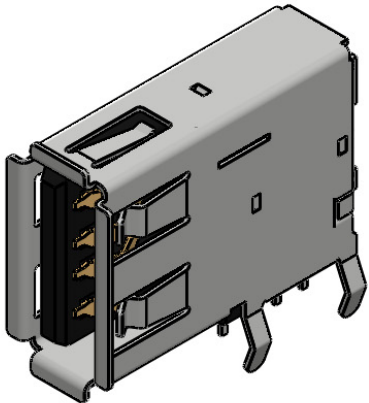
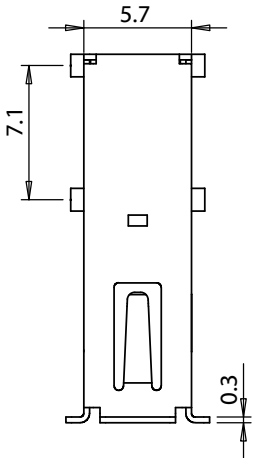


# USB A jack 90° PCB side-mount



NOTES  
RoHS and REACH compliant

# TENSILITY

20802 Sockeye Place #130  
Bend, OR 97701 USA  
tel 541.323.3228 fax 541.323.4202  
800 877.670.7118 www.tensility.com

DIMENSIONS ARE IN MILLIMETERS

TOLERANCES:  
Up to 1.0: ± 0.1 mm  
1.0 to 10.0: ± 0.2 mm  
Over 10.0: ± 0.3 mm

DESCRIPTION:  
Connector, USB A Jack, PCB side-mount, 90°, nickel shell, board lock, black insulator

SIZE	PART NUMBER
A	54-00013

SCALE: 2:1	SHEET 1 OF 2
------------	--------------

# USB A jack 90° PCB side-mount

**Materials**

- 1. Shell, steel, nickel plated
- 2. Pins, brass, 5 μ" gold and tin plating
- 3. Insulator, PBT, black

**Electrical**

Rated voltage: 30 Vdc  
 Rated current: 3 A  
 Dielectric strength: 1 min @ 500 Vac  
 Insulation resistance: 500 MΩ @ 500 Vdc  
 Contact resistance: 50 mΩ or less

**Mechanical**

Insertion force: 3.5 kgf maximum  
 Withdrawal force: 1.0 kgf minimum  
 Durability: 1500 cycle minimum life; less than 100 mΩ contact resistance, minimum 100 MΩ insulation resistance  
 Terminal strength: 0.3 kgf in any direction without damage or looseness

**Soldering**

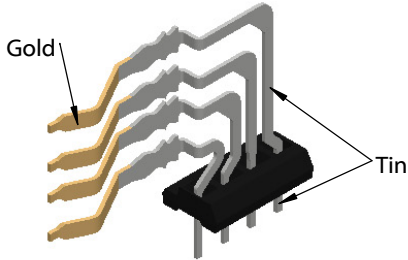
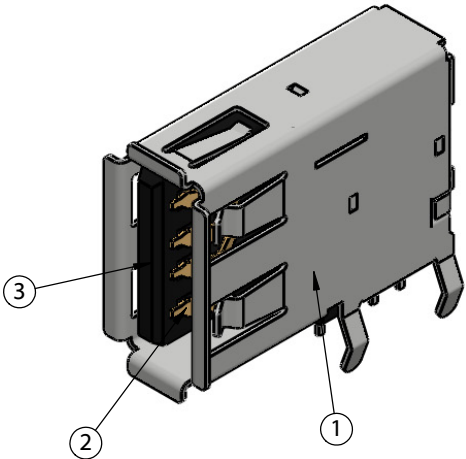
Solderability: 75% minimum coverage when terminals dipped 2 mm in 245 ±5 °C solder bath for 3 ±0.5 seconds  
 Solder bath durability: no deformation when immersed in 255 ±5 °C up to surface of the board for 5 seconds or less  
 Solder iron durability: no deformation when exposed to 350 ±10 °C for 3 ±0.5 seconds

**Environmental**

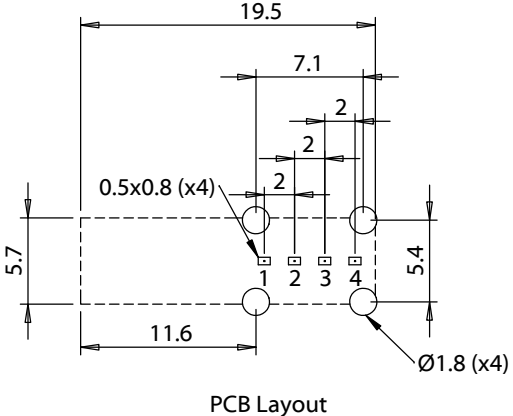
Cold test: -25 ±3 °C for 48 hours without deformation  
 Heat test: 70 ±2 °C for 48 hours without deformation  
 Humidity test: 40 ±2 °C and humidity between 90 and 98 % for 48 hours without deformation

**Operating range**

-10 ~ 60 °C



Pin plating detail



PCB Layout

REVISION	DATE	DESCRIPTION
A	9/4/2015	Initial release

PREPARED:  
 VERIFIED:  
 DIMENSIONS ARE IN MILLIMETERS  
 TOLERANCES:  
 Up to 1.0: ± 0.1 mm  
 1.0 to 10.0: ± 0.2 mm  
 Over 10.0: ± 0.3 mm

NOTES  
 RoHS and REACH compliant  
 DESCRIPTION:  
 Connector, USB A Jack, PCB side-mount, 90°, nickel shell, board lock, black insulator

**TENSILITY**  
 20802 Sockeye Place #130  
 Bend, OR 97701 USA  
 tel 541.323.3228 fax 541.323.4202  
 800 877.670.7118 www.tensility.com

SIZE	PART NUMBER
A	54-00013

SCALE: 2:1 SHEET 2 OF 2