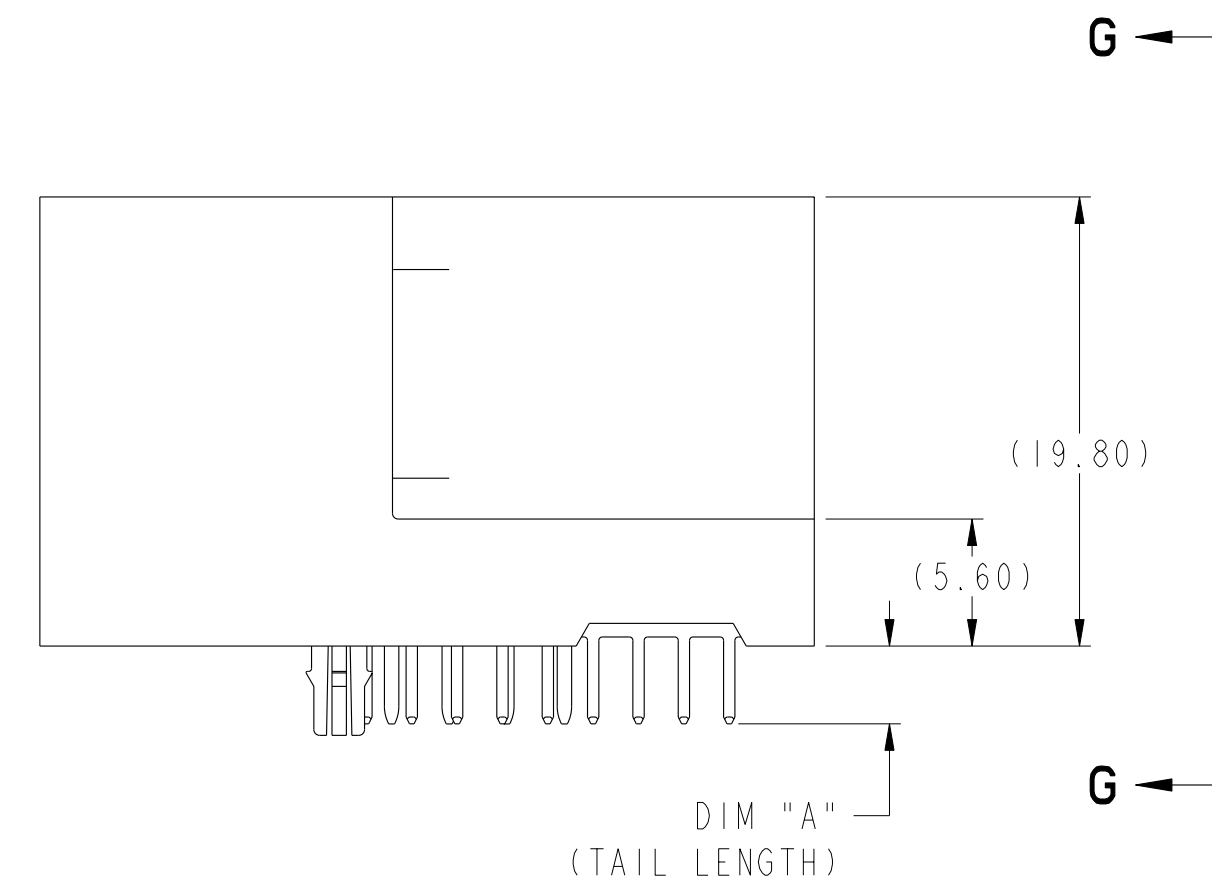
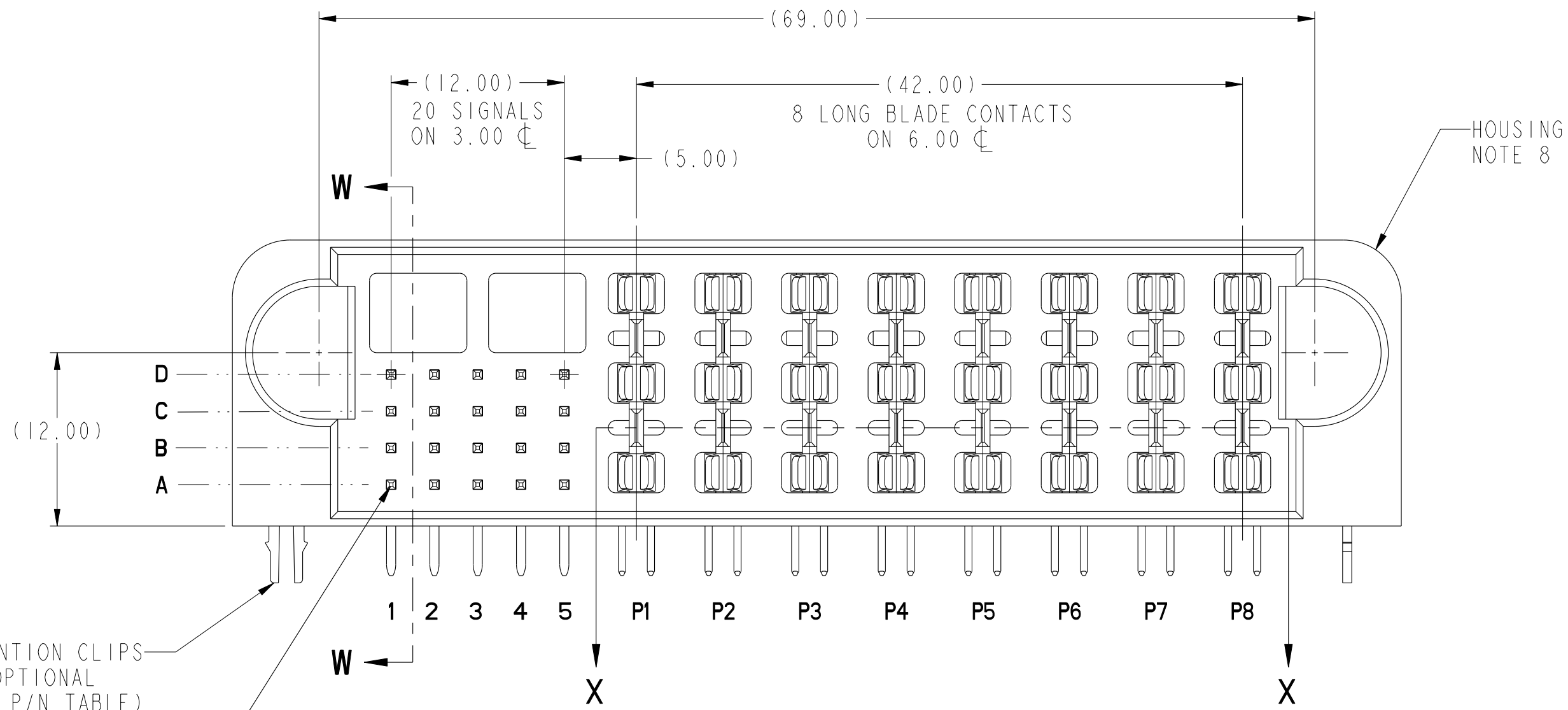


SECTION X-X



RETENTION CLIPS  
OPTIONAL  
(SEE P/N TABLE)

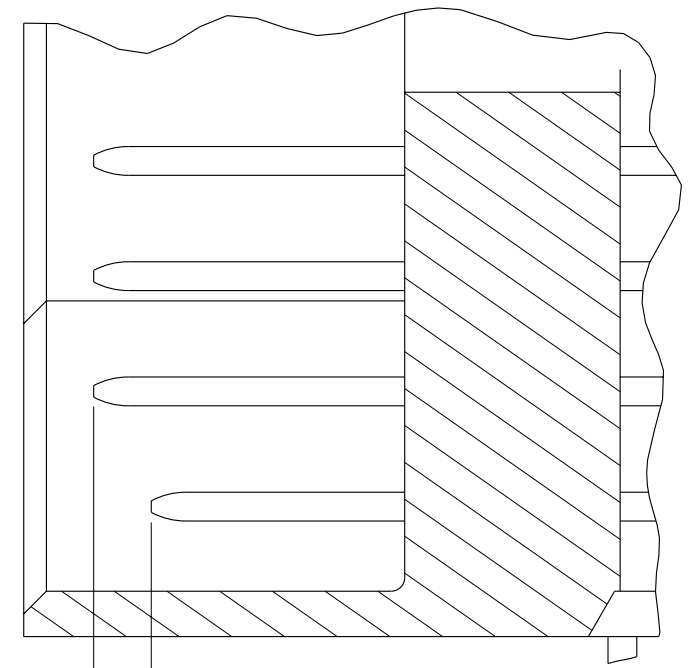
POSITION A1  
SHORT DETECT PIN  
(SEE SECTION W-W)

rev	ecn no	dr	date
A	V07-0402	TH	2007-06-13
B	V08-0006	BAB	2008-01-03
C	V08-0243	TH	2008-06-03
-	-	-	-
-	-	-	-
-	-	-	-

www.fciconnect.com		surface ASME Y14.5	tolerance std ASME Y14.5	projection	mm
		TOLERANCES UNLESS OTHERWISE SPECIFIED			
Dr	T.HOUTZ	2007-04-26	ANGULAR	0.X	±.3
Eng	H.NGO	2007-04-26	LINEAR	0.XX	±.10
Chr	H.NGO	2007-04-26	0° ±2°	0.XXX	±.050
Appr	H.NGO	2007-04-26	Product family		HCI
		Spec ref		-	
		TITLE		dlg no	Rev.
		R/A HDR ASSY 20S-8P(STL)		10078546	C
		HCI POWER CONNECTOR		CUSTOMER	sheet 1 of 5
		catalog no			

1 2 3 4 5 6 7 8

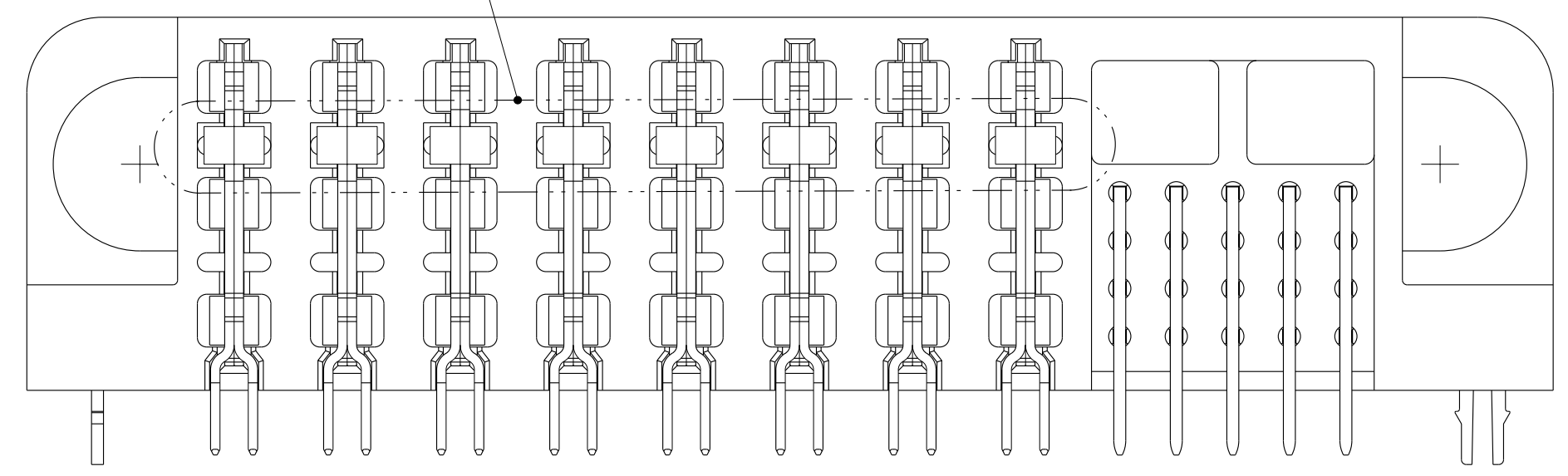
A  
B  
C  
D  
E  
F



(1.27)

**SECTION W-W**  
**SCALE 6:1**  
 SIGNAL MATING  
 SEQUENCE

KEYED FOR LONG CONTACTS  
 8X



**VIEW G-G**

Copyright FCJ  
**FCJ**

<b>FCJ</b>	title	R/A HDR ASSY 20S-8P(STL)	dwg no	10078546	Rev.	C
	catalog no	HCI POWER CONNECTOR	CUSTOMER	sheet 2 of 5		

**NOMINAL CONNECTOR OUTLINE**

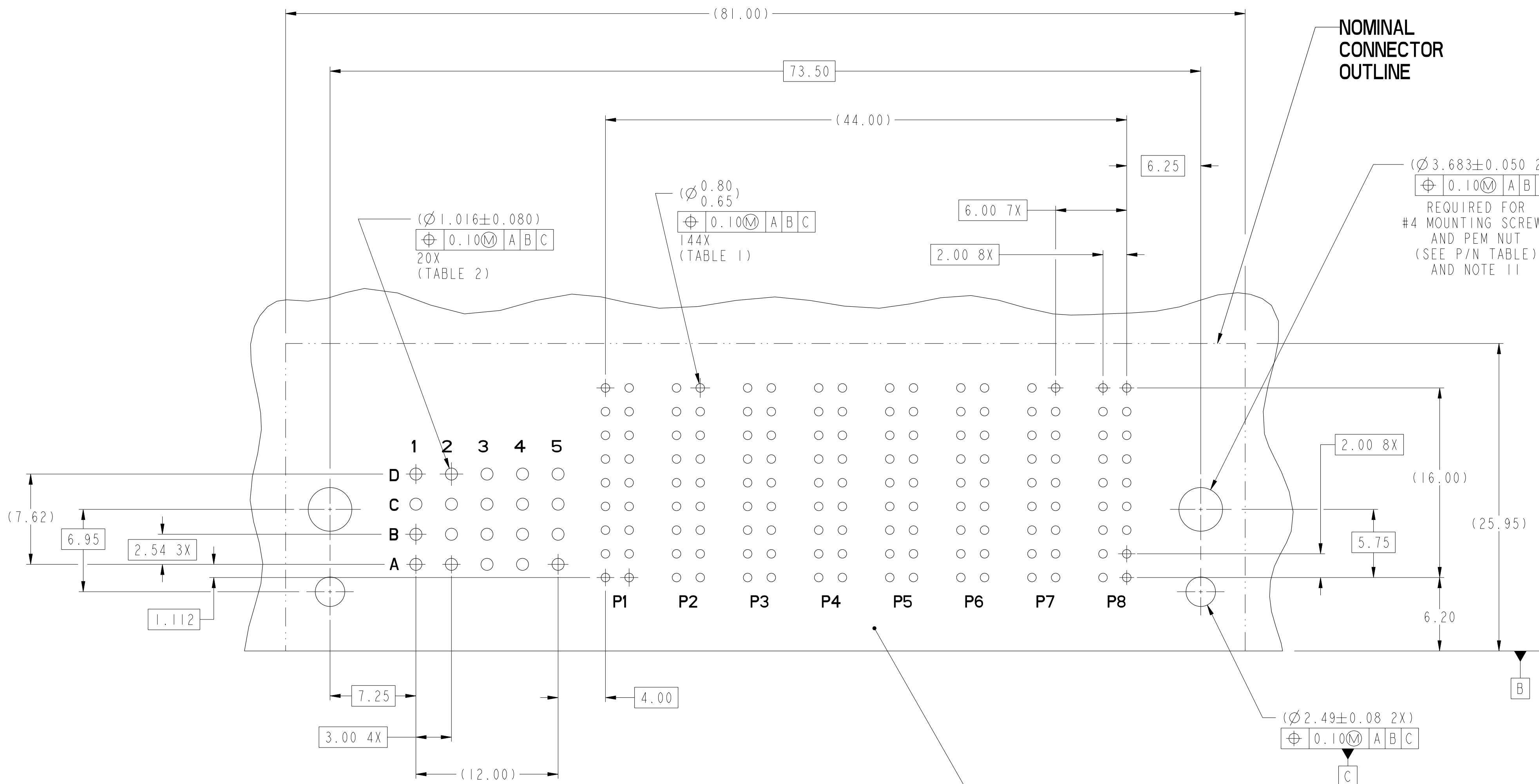
( $\varnothing 3.683 \pm 0.050$  2X)  
 $\oplus 0.10 \text{ (M) } A B C$   
 REQUIRED FOR #4 MOUNTING SCREWS AND PEM NUT (SEE P/N TABLE) AND NOTE 11

( $\varnothing 2.49 \pm 0.08$  2X)  
 $\oplus 0.10 \text{ (M) } A B C$   
 C  
 REQUIRED ONLY FOR -003LF AND -004LF (SEE P/N TABLE) AND NOTE 11

-A- OPPOSITE SURFACE

**RECOMMENDED PCB LAYOUT  
 COMPONENT SIDE**

NOTE 6



Copyright FCJ

	TITLE R/A HDR ASSY 20S-8P(STL) HCl POWER CONNECTOR	dwg no 10078546	Rev. C
	catalog no -	CUSTOMER	sheet 3 of 5

A  
B  
C  
D  
E  
F

A  
B  
C  
D  
E  
F

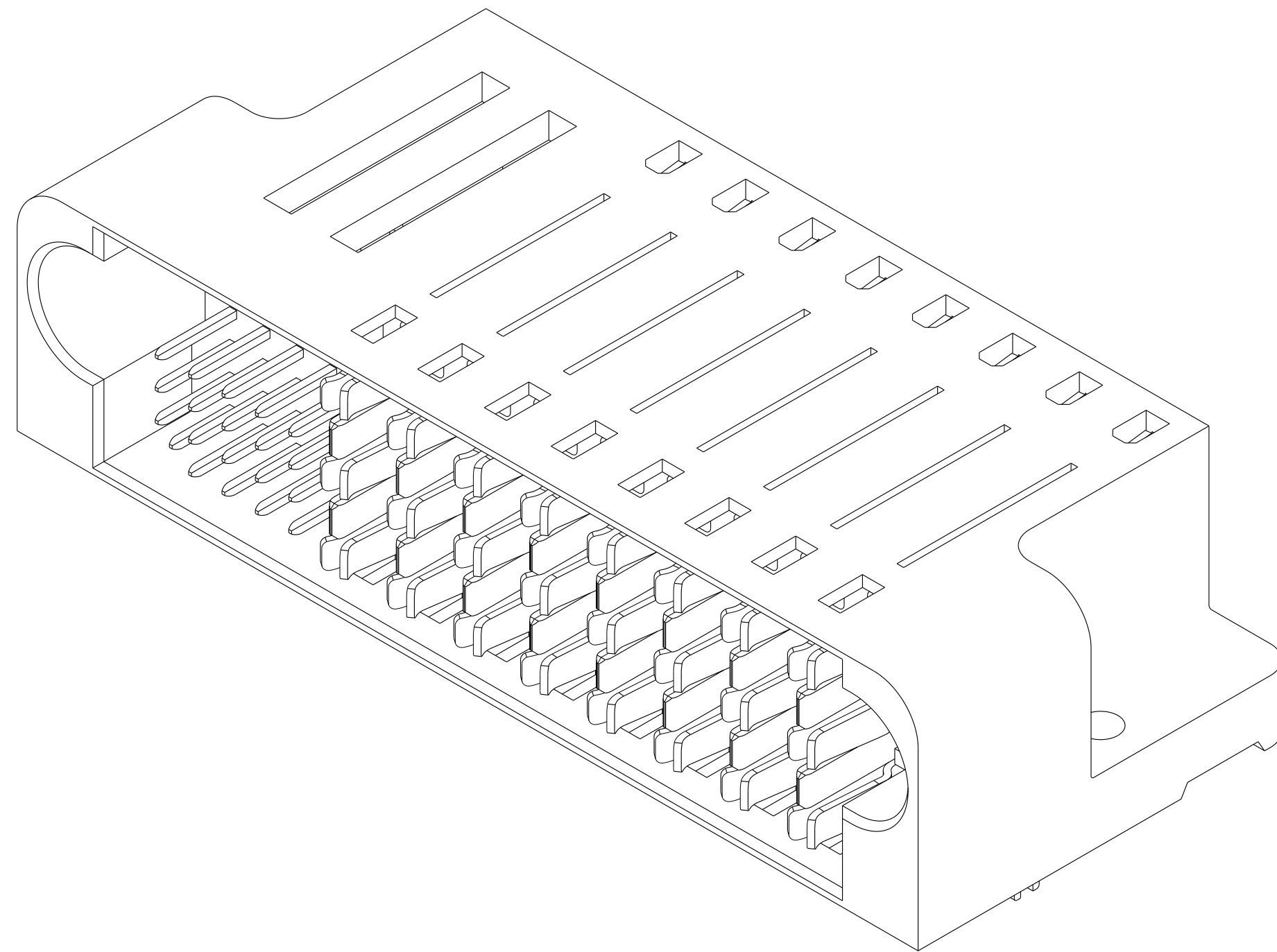
TOP LAYER DESCRIPTION	TABLE 1 (HCI POWER) PLATED THROUGH-HOLE REQUIREMENTS							
	DRILLED HOLE DIAMETER	COPPER THICKNESS	TIN-LEAD THICKNESS	NICKEL THICKNESS	GOLD THICKNESS	TIN THICKNESS	SILVER THICKNESS	FINISHED HOLE DIAMETER
TIN-LEAD	0.81-0.86 (0.85 DRILL)	0.025 - 0.050	0.005 - 0.015	--	--	--	--	0.65 - 0.80
IMMERSION TIN	0.81-0.86 (0.85 DRILL)	0.025 - 0.050	--	--	--	0.9 - 1.5um	--	0.70 - 0.80
IMMERSION SILVER	0.81-0.86 (0.85 DRILL)	0.025 - 0.050	--	--	--	--	0.15 - 0.65um	0.70 - 0.80
COPPER (SEE NOTE 9)	0.81-0.86 (0.85 DRILL)	0.025 - 0.050	--	--	--	--	--	0.70 - 0.80
GOLD	0.81-0.86 (0.85 DRILL)	0.025 - 0.050	--	0.003 - 0.007	FLASH UP TO 0.0002	--	--	0.69 - 0.80

TOP LAYER DESCRIPTION	TABLE 2 (HPC SIGNALS) PLATED THROUGH-HOLE REQUIREMENTS							
	DRILLED HOLE DIAMETER	COPPER THICKNESS	TIN-LEAD THICKNESS	NICKEL THICKNESS	GOLD THICKNESS	TIN THICKNESS	SILVER THICKNESS	FINISHED HOLE DIAMETER
TIN-LEAD	1.125-1.175 ( $\varnothing .0453 \pm .0010$ )	0.025-0.050	0.005-0.015	--	--	--	--	0.94 - 1.10 ( $\varnothing .040 \pm .003$ )
IMMERSION TIN			--	--	--	--	--	
IMMERSION SILVER			--	--	--	--	--	
COPPER (SEE NOTE 9)			--	--	--	--	--	
GOLD			--	--	--	--	--	

Copyright FCJ

	title R/A HDR ASSY 20S-8P(STL) HCI POWER CONNECTOR	dwg no 10078546	Rev. C
	catalog no	CUSTOMER	sheet 4 of 5

PART NUMBER	RETENTION CLIPS	#4 SCREW	DIM A (TAIL LENGTH)	TAIL TYPE
10078546-001LF	NO	YES	3.43	SOLDER TAIL
10078546-002LF	NO	YES	4.70	SOLDER TAIL
10078546-003LF	YES	NO	3.43	SOLDER TAIL
10078546-004LF	YES	NO	4.70	SOLDER TAIL



NOTES:

1. CONNECTOR MATERIALS:  
HOUSING: HIGH TEMPERATURE THERMOPLASTIC, BLACK  
UL 94V-0 COMPLIANT  
CONTACTS: HIGH PERFORMANCE COPPER ALLOY
2. CONTACT FINISH (ref GS-12-380 SECTION 5.2)
3. PRODUCT SPECIFICATION: GS-12-380.
4. APPLICATION SPECIFICATION: GS-20-070.
5. PRODUCT MARKING (PRODUCT NUMBER & DATE CODE) ON HOUSING IN AREA SHOWN.
6. MINIMUM NOMINAL PCB THICKNESS: 1.6mm
7. PACKAGING MEETS FCI SPECIFICATION GS-14-1073.
8. HOUSING COMPONENT WILL WITHSTAND EXPOSURE TO 260°C PEAK TEMPERATURE FOR 60 SECONDS IN A CONVECTION, INFRA-RED, OR VAPOR PHASE REFLOW OVEN.
9. COPPER PLATING THICKNESS IN CENTER OF VIA-HOLE CAN BE NO MORE THAN 0.003 LESS THAN OTHER AREAS.
10. ALL HOLE SIZES ARE FINISHED HOLE SIZES.
11. MOUNTING HOLES ARE UNPLATED.

FCJ	title	R/A HDR ASSY 20S-8P(STL)	dwg no	10078546	Rev.	C
		HCI POWER CONNECTOR				
	catalog no			CUSTOMER	sheet 5 of 5	

Copyright FCI. FCJ