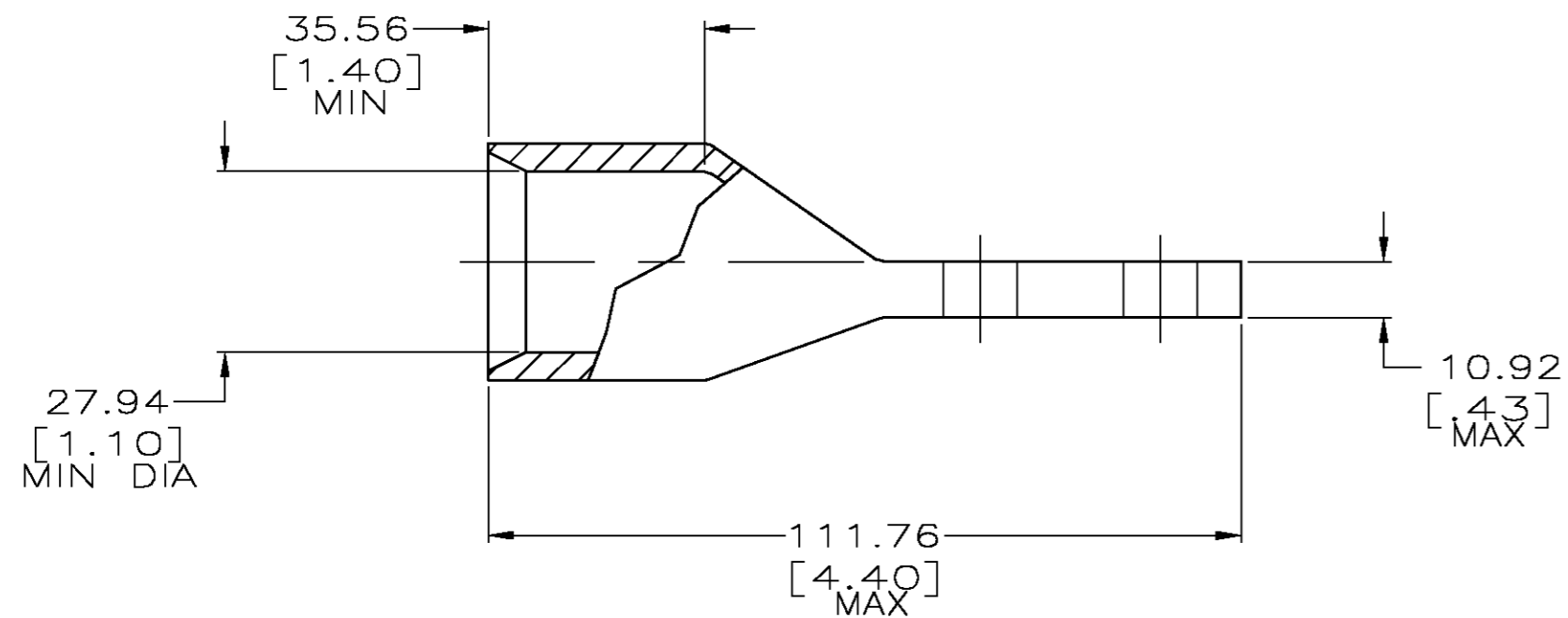
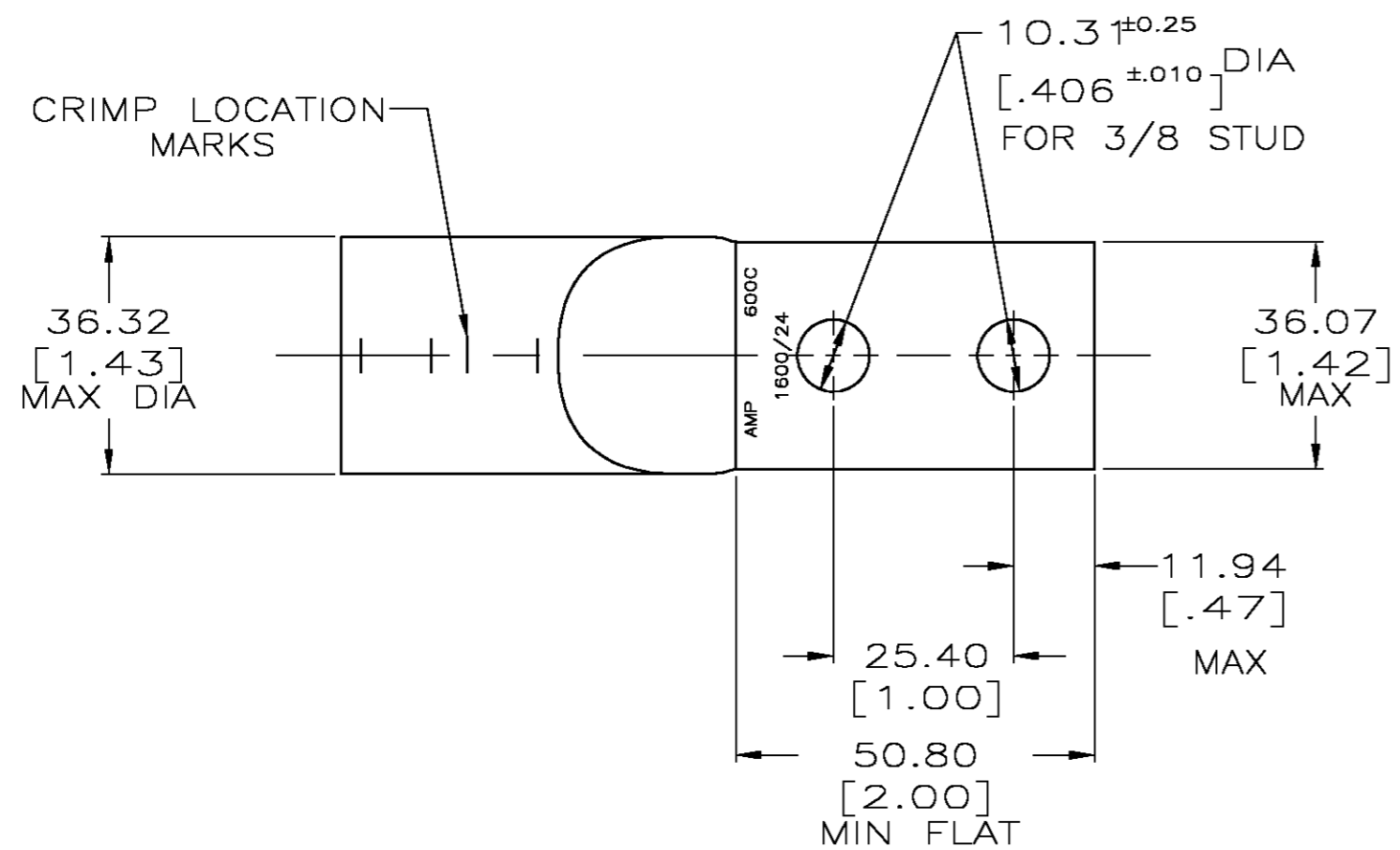


THIS DRAWING IS UNPUBLISHED. RELEASED FOR PUBLICATION  
 © COPYRIGHT BY TYCO ELECTRONICS CORPORATION. ALL RIGHTS RESERVED.

LOC	DIST	REVISIONS			JR/MS		
		P	LTR	DESCRIPTION	DATE	DWN	APVD
G	86	C		REV PER 0G3A-0130-04	23FEB04	JR	MS



- 1 TIN PL 0.00381[.000150] MIN THK PER ASTM B-545
- 2 CIRCULAR MIL RANGE: 550-650 MCM
- 3 CRIMP DIES: USE P/N 59870-1 (600HD MCM)

55830-2  
 PART NO

THIS DRAWING IS A CONTROLLED DOCUMENT.		DWN DK SCHRUM 1/17/92	Tyco Electronics Corporation Harrisburg, Pa 17105-3608		
DIMENSIONS: INCHES		CHK AJ KAUFMAN 1/17/92			
TOLERANCES UNLESS OTHERWISE SPECIFIED:		APVD CR RHOADS 1/17/92	NAME		
0 PLC ± - 1 PLC ± - 2 PLC ± 0.51[.020] 3 PLC ± - 4 PLC ± - ANGLES ± - FINISH - 1		PRODUCT SPEC	TERMINAL, CENTER LINE TONGUE, AMPPOWER, WIRE SIZE: 304.0mm[600] MCM		
MATERIAL COPPER ASTM B-75 ANNEALED		APPLICATION SPEC	SIZE A2	CAGE CODE 00779	DRAWING NO C=55830
		WEIGHT -	RESTRICTED TO -		
		CUSTOMER DRAWING	SCALE 1:1	SHEET 1 OF 1	REV C

55830