

**DESCRIPTION: M12 MALE - PANEL MOUNT (REAR) - SOLDER CUP - 3 POS.**

**NOTE:**

**MATERIAL**

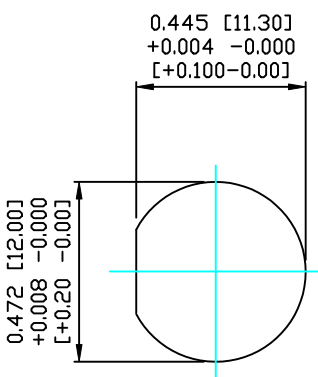
HOUSING: PBT UL94V-0, BLACK  
 CONTACT: COPPER ALLOY  
 NUT: COPPER ALLOY  
 SHELL: COPPER ALLOY  
 O-RING: EPDM, BLACK

FINISH  
 CONTACT: GOLD PLATED  
 OVER 50µ" NICKEL  
 NICKEL PLATED  
 NUT: 60µ" TO 100µ" OVER ALL  
 NICKEL PLATED  
 SHELL: 60µ" TO 100µ" OVER ALL

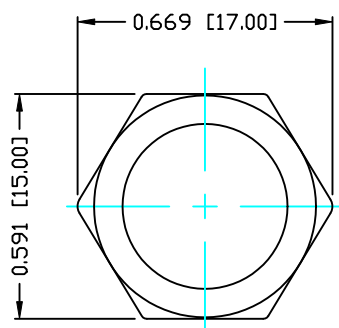
**ELECTRICAL**

RATED CURRENT: 5A  
 RATED VOLTAGE: 125V  
 INSULATION RESISTANCE: 100 MΩhms MIN.  
 CONTACT RESISTANCE: 10 MΩhms MAX.  
 WATER PROOF: IP67

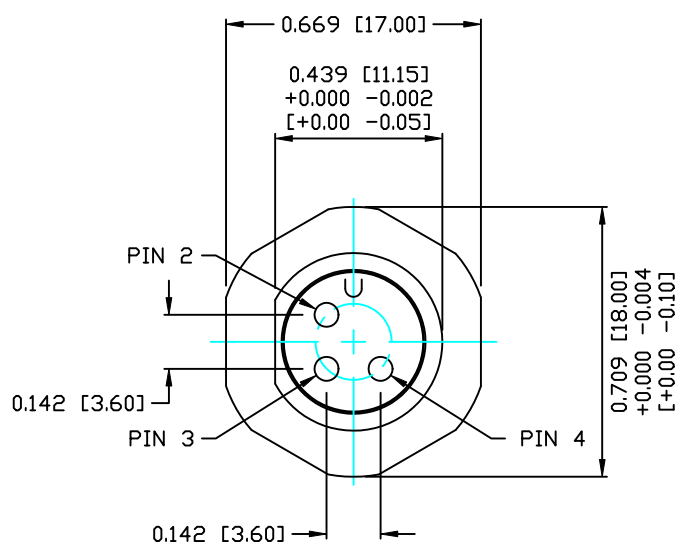
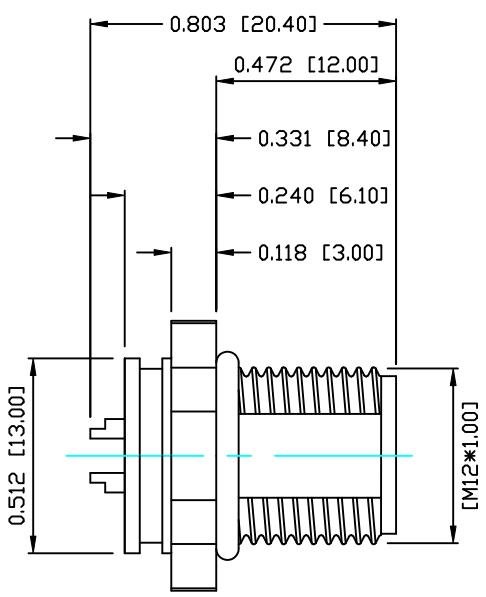
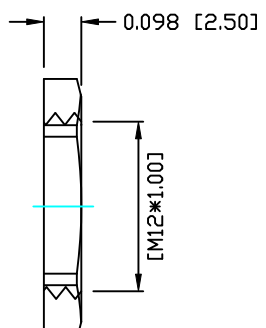
ENVIRONMENT  
 OPERATION TEMPERATURE: -40°C TO +85°C  
 WIRE GAUGE: 24-28 AWG



PANEL CUTOUT

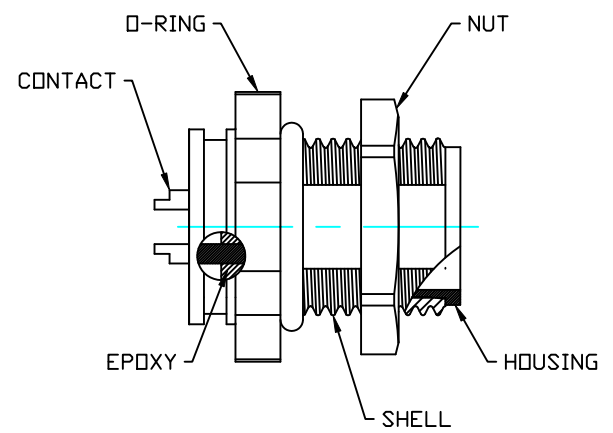


NUT



**859-003-103R00Y**

1 = GOLD FLASH  
 4 = 10µ" GOLD



**RoHS COMPLIANT**

**DO NOT SCALE FROM DRAWING**



THESE DRAWINGS AND SPECIFICATIONS ARE THE PROPERTY OF NorComp AND SHALL NOT BE REPRODUCED, COPIED OR USED AS THE BASIS FOR THE MANUFACTURE OR SALE OF APPARATUS WITHOUT WRITTEN PERMISSION.

DRAWN: M. SIGMON  
 DATE: 03-07-16  
 CHECKED:  
 DATE:

**NorComp**

SCALE: N.T.S.  
 SHEET 1 OF 1  
 REV 1  
 DWG NO. 859-003-103R00Y