

Customer Information Sheet

DRAWING No.: D01-950XX42

SHEET 2 OF 2

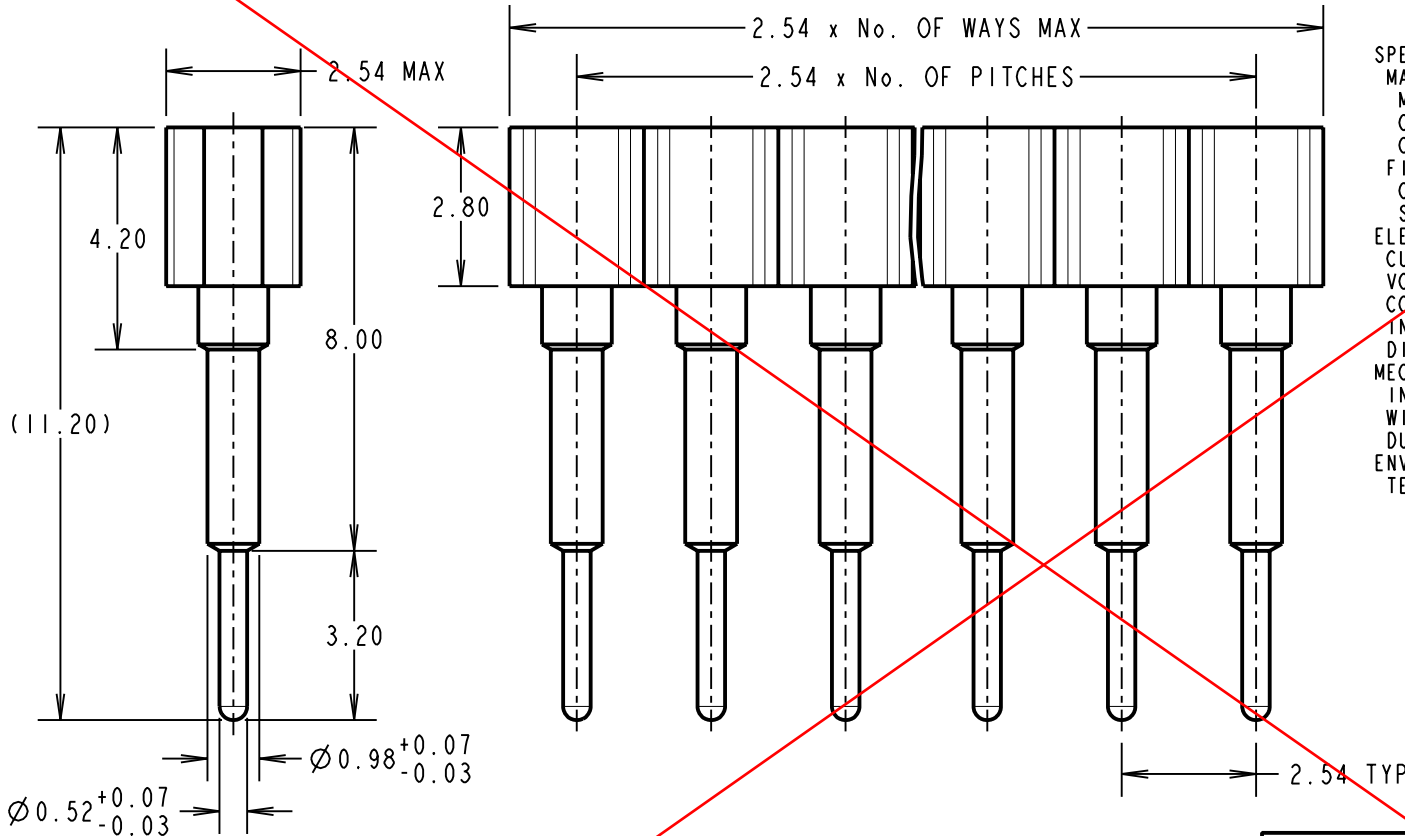
IF IN DOUBT - ASK

©

NOT TO SCALE

THIRD ANGLE PROJECTION

ALL DIMENSIONS IN mm



SPECIFICATION:

MATERIAL:
 MOULDING = GLASS FILLED PCT, BLACK, UL94V-0
 CONTACT SHELL = BRASS
 CONTACT CLIP = BERYLLIUM COPPER

FINISH:
 CLIP = 0.75µ GOLD
 SHELL = 100% TIN

ELECTRICAL:
 CURRENT RATING = 1A.
 VOLTAGE RATING = 100V AC, 150 DC.
 CONTACT RESISTANCE = 10 MILLIOHMS MAX.
 INSULATION RESISTANCE = 10,000 MEGOHMS MIN.
 DIELECTRIC WITHSTANDING = 1,000V AC MIN.

MECHANICAL:
 INSERTION FORCE (∅0.43mm GAUGE) = 3.0N MAX
 WITHDRAWAL FORCE (∅0.43mm GAUGE) = 0.5N MIN
 DURABILITY = 100 CYCLES MIN

ENVIRONMENTAL:
 TEMPERATURE RANGE = -55°C TO +125°C

OBSOLETE

NOTES:

1. RECOMMENDED HOLE SIZE = ∅0.80mm.
2. RECOMMENDED PC BOARD THICKNESS = 1.4 TO 2.0mm.
3. RECOMMENDED MATING PIN DIAMETER = ∅0.56-0.40mm.
4. MAXIMUM CONTACT DEPTH = 2.40mm,
MAXIMUM MATING PIN LENGTH = 3.65mm.
5. FOR COMPLETE SPECIFICATION, SEE COMPONENT SPECIFICATION C004XX (LATEST ISSUE).

ORDER CODE: **D01-950XX42**

No. OF WAYS _____
 04-10, 12, 14, 16, 18, 20, 32, 64

FINISH _____
 0.75µ GOLD CLIP, 100% TIN SHELL

CP	3	11.01.10	10640
NAME	ISS.	DATE	C/NOTE
APPROVED: C.PENROSE			
CHECKED: R.ADDE			
DRAWN: W.J.BOURNE			
CUSTOMER REF.:			
ASSEMBLY DRG:			

HARWIN

HARWIN USA TEL: 603 893 5376 FAX: 603 893 5396 mis@harwin.com	HARWIN Europe (UK) TEL: 023 9231 4545 FAX: 023 9231 4590 mis@harwin.co.uk	HARWIN Asia TEL: +65 6 779 4909 FAX: +65 6 779 3868 mis@harwin.com.sg
--	--	--

THIS DRAWING AND ANY INFORMATION OR DESCRIPTIVE MATTER SET OUT HEREON ARE CONFIDENTIAL AND COPYRIGHT PROPERTY OF THE HARWIN GROUP AND MUST NOT BE DISCLOSED, LOANED, COPIED OR USED FOR MANUFACTURING, TENDERING OR FOR ANY OTHER PURPOSE WITHOUT THEIR WRITTEN PERMISSION.

TOLERANCES
 X. = ±1mm
 X.X = ±0.25mm
 X.XX = ±0.10mm
 X.XXX = ±0.01mm

ANGLES = ±5°
 UNLESS STATED

MATERIAL:
 SEE ABOVE

FINISH: SEE ABOVE

S/AREA: mm²

TITLE: 2.54mm PITCH SIL
 EXTENDED VERTICAL PC TAIL
 SOCKET ASSEMBLY

DRAWING NUMBER:
D01-950XX42

SHT 2 OF 2