

REVISIONS				
EC NO	DATE	REV	DESCRIPTION	CHANGER
	2016.07.26	A	INITIAL RELEASE.	DICK

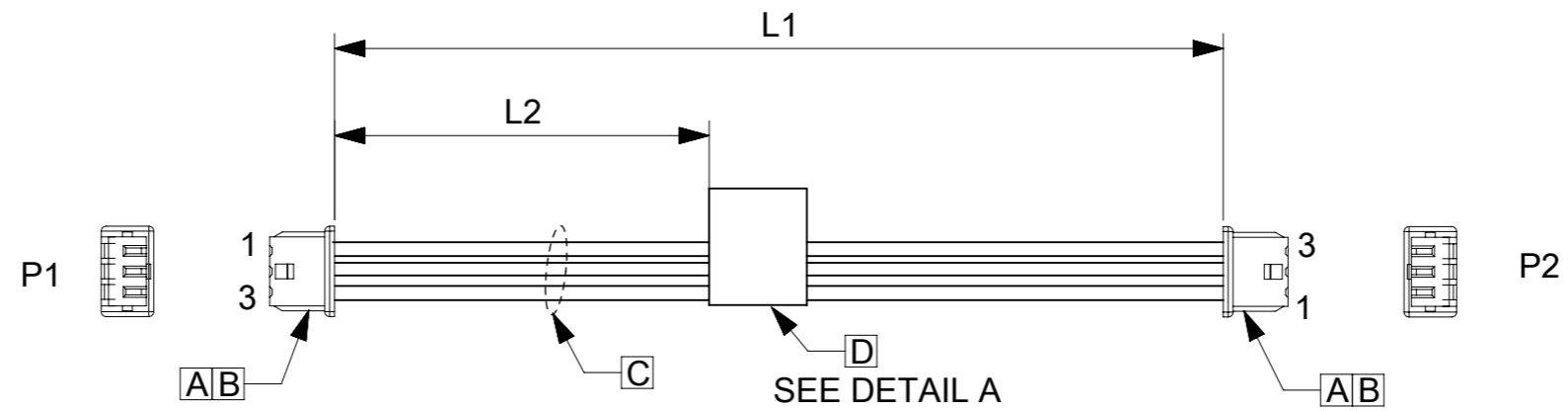
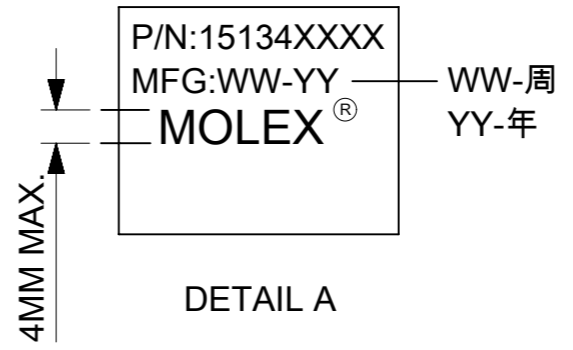


TABLE			
PART NUMBER	L1	L2	TITLE
151340300	50±6	20±5	Picoblade 3 Circuit 50MM
151340301	100±6	45±5	Picoblade 3 Circuit 100MM
151340302	150±8	70±5	Picoblade 3 Circuit 150MM
151340303	300±10	145±10	Picoblade 3 Circuit 300MM
151340305	450±10	220±10	Picoblade 3 Circuit 450MM
151340306	600±10	295±10	Picoblade 3 Circuit 600MM



- NOTES**
- THIS PRODUCT MUST MEET 2011/65/EU ROHS COMPLIANCE.  
此产品需符合 2011/65/EU ROHS环保要求.
  - ELECTRICAL PERFORMANCE REFER TO ES-000.  
电气特性参考ES-000.
  - LABEL TEXT MUST BE 2mm MAX. IN HEIGHT WITH ARIAL FONT.  
标签字高最大2mm,字体ARIAL.
  - STICK UL LABEL ON THE OUTSIDE CARTON.  
外箱上贴UL标签.

D	Blank label 12.7x35.5mm (WHT:12.7mm) HF		1
C	UL&CSA 1061/#28 STR BLK	A/R	
B	1.25MM CRIMP REC TERMINAL		6
A	3CKT RECEPTACLE HOUSING		2
ITEM	DESCRIPTION	L(MM)	Q'TY

WIRING CHART		
P1	P2	COLOR
1	3	BLACK
2	2	BLACK
3	1	BLACK

<b>QUALITY SYMBOLS</b> FA = 0 FE = 0 FB = 0 FV = 0 FC = 0 FX = 0 FS = 0 FT = 0	THIS DRAWING CONTAINS INFORMATION THAT IS PROPRIETARY TO MOLEX ELECTRONIC TECHNOLOGIES, LLC AND SHOULD NOT BE USED WITHOUT WRITTEN PERMISSION				DIMENSION UNITS: MM SCALE: NTS		
	GENERAL TOLERANCES (UNLESS SPECIFIED) ANGULAR TOL ± °		DRWN BY: WLXIE DATE: 2016/07/11		SEE TABLE		
	4 PLACES ± 3 PLACES ± 2 PLACES ± 1 PLACE ± 0 PLACES ±		CHK'D BY: DHUANG16 DATE: 2016/07/24				
	DRAFT WHERE APPLICABLE MUST REMAIN WITHIN DIMENSIONS		APPR BY: YXZOU DATE:				
EC NO: 106943 DRWN: WLXIE CHK'D: DHUANG16 APPR: YXZOU		A3 THIRD ANGLE PROJECTION		PRODUCT CUSTOMER DRAWING			
RELEASE STATUS: P1 RELEASE DATE: 28.07.2016 02:47:08		SERIES: 201234 MATERIAL NUMBER: SEE TABLE CUSTOMER: GENERAL MARKET		DOCUMENT NUMBER: 2012341355 DOC TYPE: PSD DOC PART: 000 SHEET NUMBER: 1 OF 1			