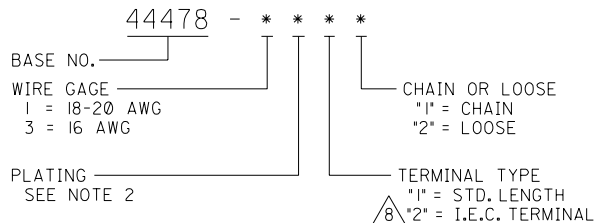


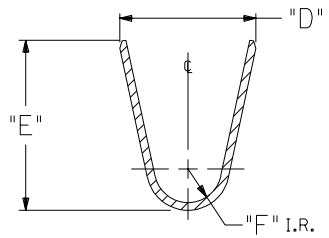
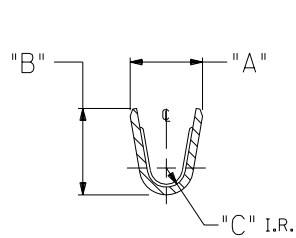
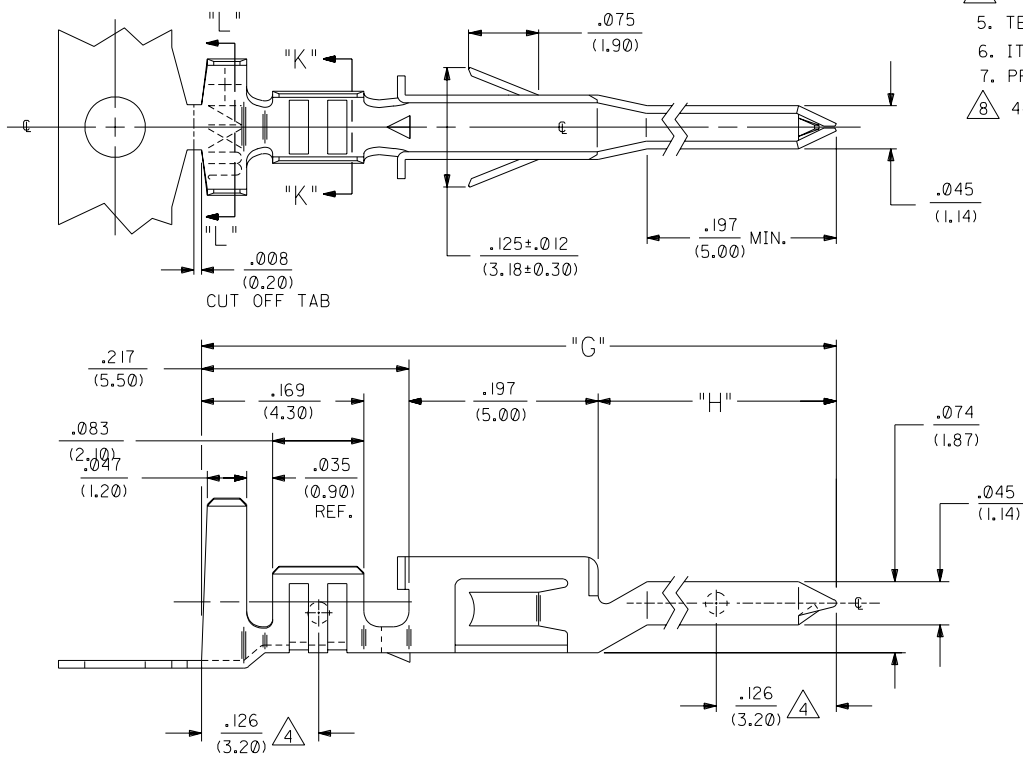
| ITEM NO.   | FORM  | WIRE GAGE | RANGE OF INSULATION DIA. | QUANTITY PER REEL (FORMED) | DIM. "A"                | DIM. "B"                | DIM. "C"      | DIM. "D"                | DIM. "E"                | DIM. "F"      | DIM. "G"                 | DIM. "H"        |
|------------|-------|-----------|--------------------------|----------------------------|-------------------------|-------------------------|---------------|-------------------------|-------------------------|---------------|--------------------------|-----------------|
| 44478-1111 | CHAIN | 18-20 GA. | .051-.122<br>(1.30-3.10) | 4,000                      | .075±.012<br>(1.90±.30) | .091±.016<br>(2.30±.40) | .020<br>(.50) | .142±.012<br>(3.60±.30) | .177±.016<br>(4.50±.40) | .035<br>(.90) | .661±.016<br>(16.80±.40) | .248<br>(6.30)  |
| 44478-1112 | LOOSE |           |                          |                            | .091±.012<br>(2.30±.30) | .106±.016<br>(2.70±.40) | .024<br>(.60) | .142±.012<br>(3.60±.30) | .177±.016<br>(4.50±.40) | .035<br>(.90) |                          |                 |
| 44478-3111 | CHAIN | 16 GA.    | .122<br>(3.10) MAX.      | 4,000                      | .091±.012<br>(2.30±.30) | .106±.016<br>(2.70±.40) | .024<br>(.60) | .142±.012<br>(3.60±.30) | .177±.016<br>(4.50±.40) | .035<br>(.90) |                          |                 |
| 44478-3112 | LOOSE |           |                          |                            | .091±.012<br>(2.30±.30) | .106±.016<br>(2.70±.40) | .024<br>(.60) | .142±.012<br>(3.60±.30) | .177±.016<br>(4.50±.40) | .035<br>(.90) |                          |                 |
| 44478-1211 | CHAIN | 18-20 GA. | .051-.122<br>(1.30-3.10) | 4,000                      | .075±.012<br>(1.90±.30) | .091±.016<br>(2.30±.40) | .020<br>(.50) | .142±.012<br>(3.60±.30) | .177±.016<br>(4.50±.40) | .035<br>(.90) |                          |                 |
| 44478-1212 | LOOSE |           |                          |                            | .091±.012<br>(2.30±.30) | .106±.016<br>(2.70±.40) | .024<br>(.60) | .142±.012<br>(3.60±.30) | .177±.016<br>(4.50±.40) | .035<br>(.90) |                          |                 |
| 44478-3211 | CHAIN | 16 GA.    | .122<br>(3.10) MAX.      | 4,000                      | .091±.012<br>(2.30±.30) | .106±.016<br>(2.70±.40) | .024<br>(.60) | .142±.012<br>(3.60±.30) | .177±.016<br>(4.50±.40) | .035<br>(.90) |                          |                 |
| 44478-3212 | LOOSE |           |                          |                            | .091±.012<br>(2.30±.30) | .106±.016<br>(2.70±.40) | .024<br>(.60) | .142±.012<br>(3.60±.30) | .177±.016<br>(4.50±.40) | .035<br>(.90) |                          |                 |
| 44478-1121 | CHAIN | 18-20 GA. | .051-.122<br>(1.30-3.10) | 4,000                      | .075±.012<br>(1.90±.30) | .091±.016<br>(2.30±.40) | .020<br>(.50) | .142±.012<br>(3.60±.30) | .177±.016<br>(4.50±.40) | .035<br>(.90) | .917±.016<br>(23.30±.40) | .504<br>(12.80) |
| 44478-1122 | LOOSE |           |                          |                            | .091±.012<br>(2.30±.30) | .106±.016<br>(2.70±.40) | .024<br>(.60) | .142±.012<br>(3.60±.30) | .177±.016<br>(4.50±.40) | .035<br>(.90) |                          |                 |
| 44478-3121 | CHAIN | 16 GA.    | .122<br>(3.10) MAX.      | 4,000                      | .091±.012<br>(2.30±.30) | .106±.016<br>(2.70±.40) | .024<br>(.60) | .142±.012<br>(3.60±.30) | .177±.016<br>(4.50±.40) | .035<br>(.90) |                          |                 |
| 44478-3122 | LOOSE |           |                          |                            | .091±.012<br>(2.30±.30) | .106±.016<br>(2.70±.40) | .024<br>(.60) | .142±.012<br>(3.60±.30) | .177±.016<br>(4.50±.40) | .035<br>(.90) |                          |                 |
| 44478-1221 | CHAIN | 18-20 GA. | .051-.122<br>(1.30-3.10) | 4,000                      | .075±.012<br>(1.90±.30) | .091±.016<br>(2.30±.40) | .020<br>(.50) | .142±.012<br>(3.60±.30) | .177±.016<br>(4.50±.40) | .035<br>(.90) |                          |                 |
| 44478-1222 | LOOSE |           |                          |                            | .091±.012<br>(2.30±.30) | .106±.016<br>(2.70±.40) | .024<br>(.60) | .142±.012<br>(3.60±.30) | .177±.016<br>(4.50±.40) | .035<br>(.90) |                          |                 |
| 44478-3221 | CHAIN | 16 GA.    | .122<br>(3.10) MAX.      | 4,000                      | .091±.012<br>(2.30±.30) | .106±.016<br>(2.70±.40) | .024<br>(.60) | .142±.012<br>(3.60±.30) | .177±.016<br>(4.50±.40) | .035<br>(.90) |                          |                 |
| 44478-3222 | LOOSE |           |                          |                            | .091±.012<br>(2.30±.30) | .106±.016<br>(2.70±.40) | .024<br>(.60) | .142±.012<br>(3.60±.30) | .177±.016<br>(4.50±.40) | .035<br>(.90) |                          |                 |

**LEGEND:**



**NOTES:**

- MATERIAL: ALLOY C197, .008/(0.20) THICK.
- \*1= PLATING: POSTPLATE .000100/(.00254) MIN. BRIGHT TIN OVER .000030/(.00076) MIN. NICKEL OVERALL.  
\*2=PLATING: POSTPLATE .000030/(.000076) MIN. SELECT GOLD AND .000100/(0.00254) MIN. MATTE TIN OVER .000050/(.00127) MIN. NICKEL OVERALL.
- \*THE PRIMARY SHIPPING CARTON WILL BE LABELED "COMPLIANT TO RoHS DIRECTIVE 2002/95/EC AND ELV ANNEX II OF DIRECTIVE 2000/53/EC." CARTONS WITHOUT THIS LABEL MAY CONTAIN PRODUCT WITH TIN-LEAD PLATING.
- PART DESIGNED IN METRIC.
- MEASURING POINT FOR PLATING THICKNESS.
- TERMINAL IS FOR USE WITH MOLEX PLUG HOUSINGS 5559, 30068, AND 42475.
- ITEM NUMBERS PRECEDED BY AN "X" IN THE CHART ARE NOT AVAILABLE.
- PRODUCT SPECIFICATION AND PROCESSING PARAMETERS: SEE PS-44476-001.
- 44478-\*\*2\* TERMINALS ARE FOR 5.0mm MIN. CLEARANCE I.E.C. 950 SPEC.



|  |  |               |  |                    |  |   |  |
|--|--|---------------|--|--------------------|--|---|--|
| DIMENSIONS SHOWN (METRIC) INCH UNLESS OTHERWISE SPECIFIED TOLERANCES: ANGULAR ± 1/2° |  | ▽ = 0         |  | ▽ = 0              |  | REVISE ONLY ON CAD SYSTEM   |  |
| 3 PLACE ± .010   |  | ---           |  | TITLE              |  | TERMINAL, MALE, CRIMP, MINI-FIT JR, H.C.S. SERIES   |  |
| 2 PLACE ± .015   |  | ± .25         |  | MOLEX INCORPORATED |  | SHEET NO. DATE  |  |
| 1 PLACE --- ± .38  |  | ---           |  | LITSE, ILL. 60532  |  | 1 OF 1 7/25/94  |  |
| DRAFT WHERE APPLICABLE MUST REMAIN WITHIN DIMENSIONS                                 |  | PART NO.      |  | DRAWG. NO.         |  | SEE CHART. SD-44478-****  |  |
| DRW'G. BY GEP  |  | CHK'D. BY RJF |  | FILE NAME          |  | THIS DRAWING CONTAINS INFORMATION THAT IS PROPRIETARY TO MOLEX INC. AND SHOULD NOT BE USED WITHOUT WRITTEN PERMISSION |  |
| APP'D. BY RJF  |  | SCALE 10:1    |  | 544478X1 DGN       |  | CP C  |  |

|    |   |
|----|---|
| F  | REMOVED TIN LEAD ECN *UCP2004-1767 04/03/15 MSC     |
| E  | REVISED LOCK TABS UCR2002-0222 01/09/06 BANDURA     |
| D  | REVISED PER UCR1999-0880 99/06/21 MBANDURA          |
| CI | REVISED UCR1999-0181 98/09/17 L.E.M.                |
| C  | ADD I.E.C. VERSION ECN UCR1999-0107 POLGAR 98-08-10 |
| B  | REVISION ECN U70887 WANG 97/2/76                    |
| A1 | REV. 24AWG. TO 20 ECN U60135 95-08-03 A.GUZIJK      |
| A  | FINAL RELEASE ECN U51222 95-06-06 A.GUZIJK          |
| 2  | REMOVE 14 GA. WIRE ECN U51658 95-05-19 A.GUZIJK     |
| 1  | ** REL. PER ECN U40480 GEP 7-25-94                  |