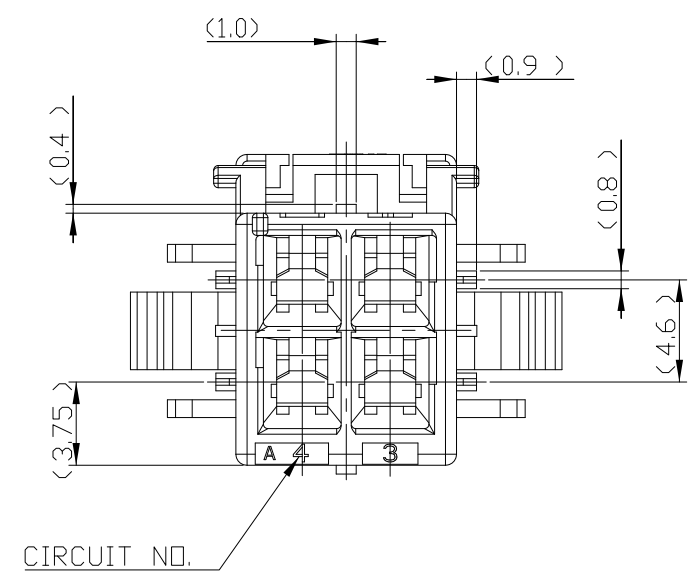
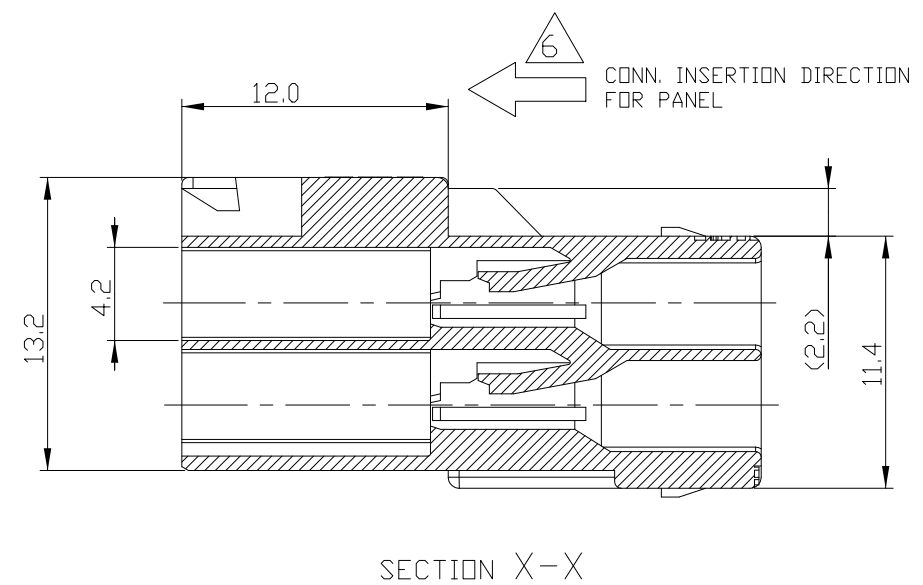
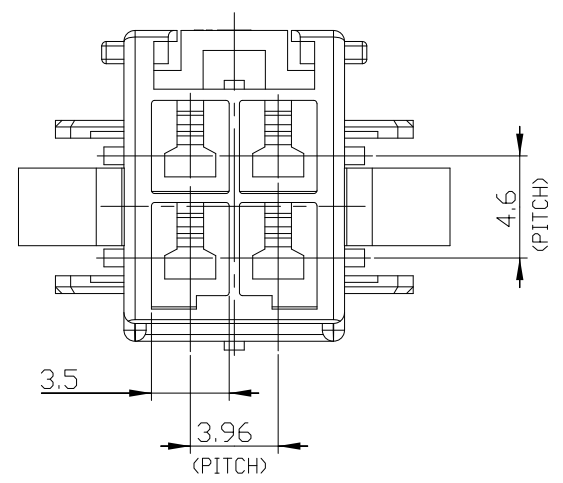
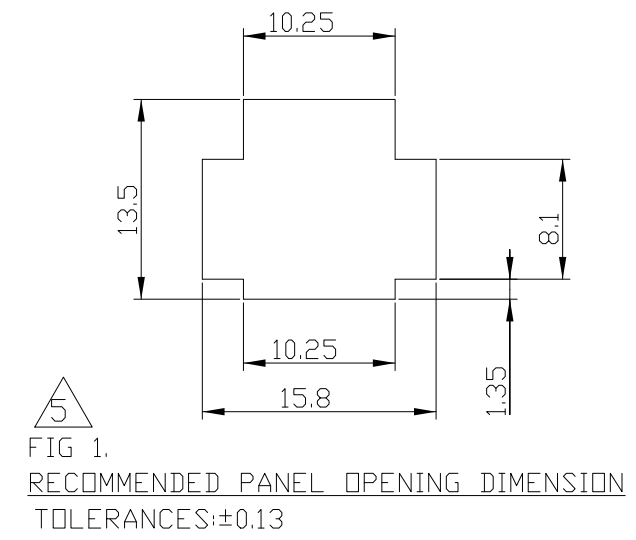
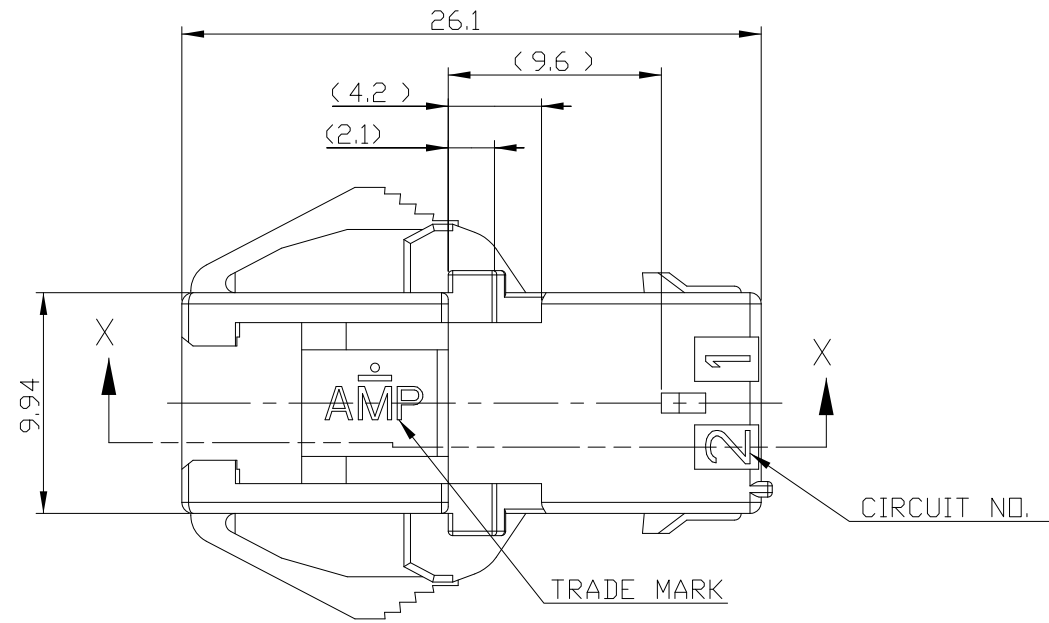


THIS DRAWING IS UNPUBLISHED. RELEASED FOR PUBLICATION 20
 © COPYRIGHT 20 BY TYCO ELECTRONICS CORPORATION. ALL RIGHTS RESERVED.

| LOC | DIST | REVISIONS | | | |
|-----|------|-------------|-----------|-----|------|
| P | LTR | DESCRIPTION | DATE | DWN | APVD |
| DS | - | | | | |
| | A | RELEASED | 02.MAR'09 | SC | JK |

- NOTE;
- 1.APPLICABLE CONTACT P/N
 -TAB CONTACT:177917- □(AWG#16-#20)
 177916- □(AWG#22-#26)
 - 2.MATING CONN.P/N
 -PLUG HSG: □-368575-□
 -REC CONTACT:177915- □(AWG#16-#20)
 177914- □(AWG#22-#26)
 - 3.APPLICABLE DOUBLE LOCK PLATE: □-368590-1
 - 4.GENERAL TOLERANCES:±0.3
 - 5.APPLICATIOIN PANEL THICKNESS: 0.8~2.0 (SEE FIG 1.)
 - 6.INSERT CONN. FROM PRESS DIRECTION SIDE FOR METAL PANEL.
 7.EDGE OF THICKNESS MAY MUST NOT ROUND FOR MOLDED PANEL.
 - 8.ACCORDING TO IEC 60335-1 4.2 EDITION
 -PART MEETS GWT 750°& 850°C.
 -MATERIAL MEETS BALL PRESSURE TESTING AT 125°C.
 -MATERIAL HAS CTI VALUE OF 250V.
 - 9.MIN.THICKNESS OF INSULATING MATERIAL BETWEEN ADJACENT POLES: 0.30mm



| | | |
|------------|-----------------|---------|
| 1-368589-6 | PA66 UL94V-0 | BLUE |
| 1-368589-4 | | YELLOW |
| 1-368589-2 | | RED |
| 1-368589-1 | | NATURAL |
| 368589-6 | PA66 UL94V-2 | BLUE |
| 368589-4 | | YELLOW |
| 368589-2 | | RED |
| 368589-1 | | NATURAL |
| P/N | MATERIAL | COLOR |

THIS DRAWING IS A CONTROLLED DOCUMENT FOR TYCO ELECTRONICS CORPORATION
 IT IS SUBJECT TO CHANGE AND THE CONTROLLING ENGINEERING ORGANIZATION
 SHOULD BE CONTACTED FOR THE LATEST REVISION.

| DIMENSIONS: | TOLERANCES UNLESS OTHERWISE SPECIFIED: |
|-------------|----------------------------------------|
| mm | |
| 0 PLC | ±- |
| 1 PLC | ±- |
| 2 PLC | ±- |
| 3 PLC | ±- |
| 4 PLC | ±- |
| ANGLES | ±- |
| MATERIAL | FINISH |
| - | - |

| | | | | |
|---------------------------|-------------------------------------|-----------|------------|---------------|
| DWN SC KIM | AMP KOREA Kyungsan, Korea | | | |
| CHK BW KANG | | | | |
| APVD JK SONG | NAME | | | |
| PRODUCT SPEC 108-61106 | PDL 4P CAP HSG 3.96mm D/R P/M (GWT) | | | |
| APPLICATION SPEC | SIZE | CAGE CODE | DRAWING NO | RESTRICTED TO |
| WEIGHT | A3 | 00779 | 368589 | - |
| CUSTOMER DRAWING | SCALE | N/A | SHEET | 1 OF 1 |
| | | | REV | A |