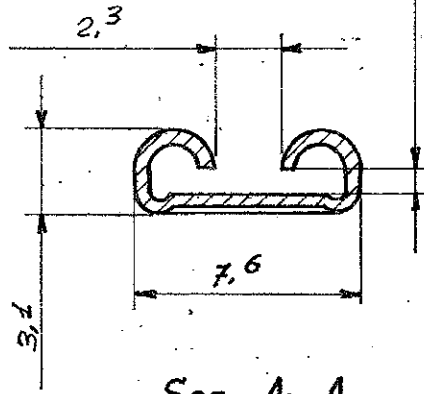


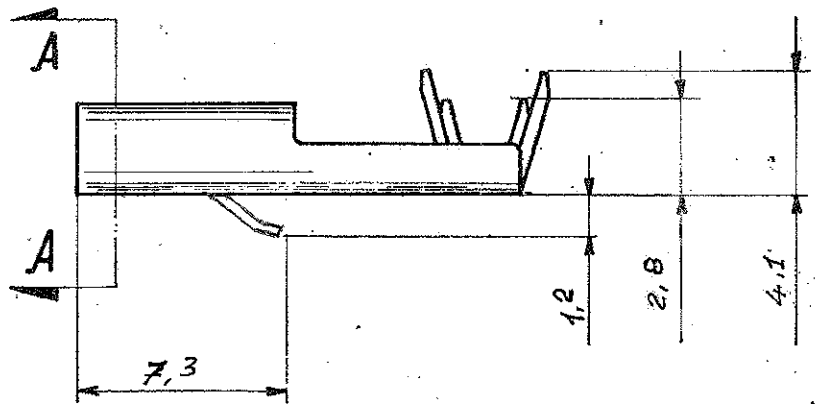
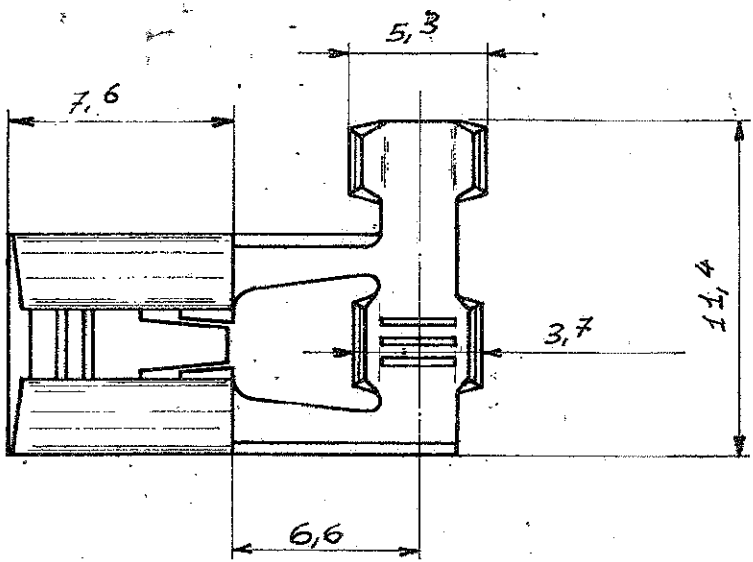
ADATTO PER APPLIC. STANDARD (FOR STANDARD APPLICATOR)		ADATTO PER MINI APPLICATOR (FOR MINI APPLICATOR)		
N° PART. (PART/NUMBER)	MATERIALE/FINITURA (MATERIAL/FINISH)	N° PART. (PART/NUMBER)	MATERIALE/FINITURA (MATERIAL/FINISH)	
280357-1	BRONZO FOSFOROSO (PHOSPH. BRASS)	280428-1	BRONZO FOSFOROSO (PHOSPH. BRASS)	OBSOLETE
280357-2	BRONZO FOSF. STAGNATO (TIN PL. PH. BR.)	280428-2	BRONZO FOSF. STAGNATO (TIN PL. PH. BR.)	
280357-3	OTTONE (BRASS)	280428-3	OTTONE (BRASS)	OBSOLETE
280357-4	OTTONE STAGNATO (FIN. PL. BRASS)	280428-4	OTTONE STAGNATO (TIN PL. BRASS)	
		2.280428-4	OTTONE STAGNATO (TIN PL. BRASS)	

OBSOLETE

Adatto per linguetta di sp. 0.8
(TO FIT 0.8 mm TAB THK)



Sez. A-A



DIMENSIONS IN MM. DO NOT SCALE PRINT

N1	CORRECTED LANCE SHAPE	H.Y.	G.T.	29.06.2006
N2	REACTIVATED 280428-2 ET00-0206-01	H.Y.	C.T.	7 SEP 2001
M	2-280428-4 ADDED ET00-0055-99	H.Y.	Aut.	15 FEB 1999
L	Revised for ET00-0132-97	H.Y.	Aut.	18/3/92
B	Revised for ET00-0080-34	H.Y.	Aut.	18/3/92
A	IN PRODUZIONE	H.Y.	Aut.	DEC 1976

© 1973 BY AMP INCORPORATED. ALL RIGHTS RESERVED. AMP PRODUCTS COVERED BY PATENTS AND/OR PATENTS PENDING.

**CUSTOMER COPY
REFERENCE ONLY**

MATERIAL AND FINISH
VEDERE TABELLA
(SEE TABLE)



AMP ITALIA
VIA CERVI 15
COLLEGNO (TORINO)

CLASS .250 SERIES

WIRE RANGE - INSULATION
0.5 - 1.5 mm² | 3.3 Ø MAX

TYPE F. F.

LTR	REVISION RECORD	DR	CHK	DATE
DR	9-1-73	DR	CHK	18/12/74
CHK	18/12/74	APP		

TOLERANCE EXCEPT AS NOTED
3, 0, 4

SCALE 4:1

LOC I A NO C-280357 REV N

.250 SERIES FLAG FASTEN-ON REC.

PRINT DIST