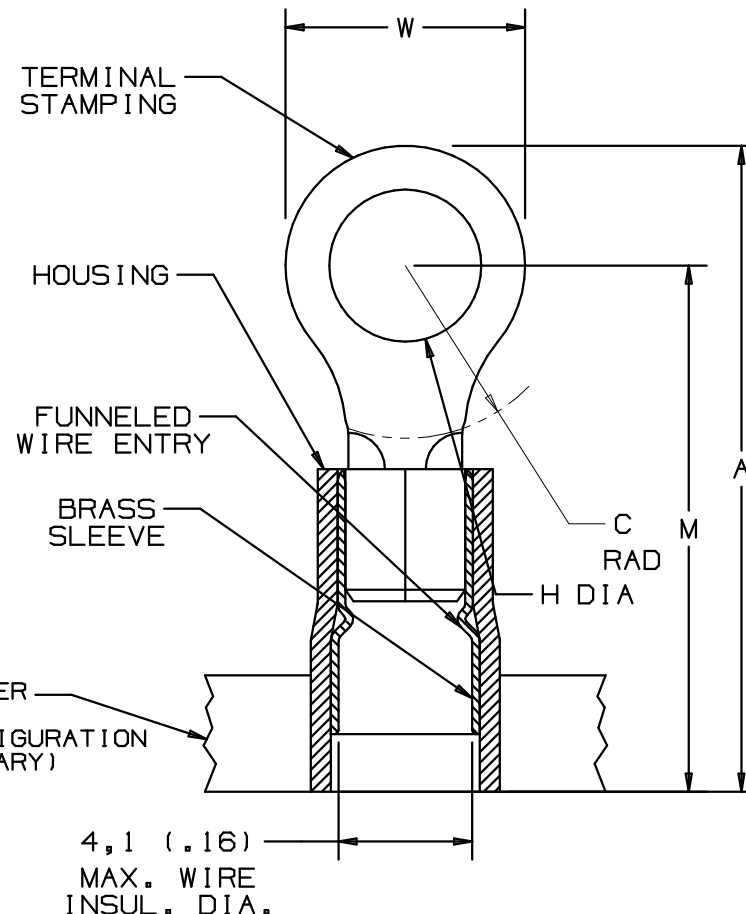


| PART NUMBER  | STUD SIZE | WIRE RANGE<br>mm <sup>2</sup><br>(AWG) | DIMENSIONS mm    |                  |                  |                  |                  |
|--------------|-----------|--|------------------|------------------|------------------|------------------|------------------|
|              |           |  | A ± .08<br>(.03) | W ± .25<br>(.01) | C ± .38<br>(.01) | M ± .50<br>(.02) | H ± .50<br>(.02) |
| PMNF2-3R-3K  | M3        | 1,5-2,5<br>(16-14)                     | 19,4<br>(.76)    | 5,8<br>(.23)     | 5,1<br>(.20)     | 16,5<br>(.65)    | 3,3<br>(.13)     |
| PMNF2-35R-3K | M3,5      | 1,5-2,5<br>(16-14)                     | 19,4<br>(.76)    | 5,8<br>(.23)     | 5,1<br>(.20)     | 16,5<br>(.65)    | 3,8<br>(.15)     |
| PMNF2-4R-3K  | M4        | 1,5-2,5<br>(16-14)                     | 21,8<br>(.86)    | 7,9<br>(.31)     | 6,5<br>(.26)     | 18,0<br>(.71)    | 4,6<br>(.18)     |
| PMNF2-5R-3K  | M5        | 1,5-2,5<br>(16-14)                     | 22,4<br>(.88)    | 8,9<br>(.35)     | 6,5<br>(.26)     | 18,0<br>(.71)    | 5,3<br>(.21)     |
| PMNF2-6R-3K  | M6        | 1,5-2,5<br>(16-14)                     | 26,5<br>(1.04)   | 10,9<br>(.43)    | 9,7<br>(.38)     | 21,3<br>(.84)    | 6,9<br>(.27)     |

NOTES:

- USED FOR:
  - 600V MAX. BUILDING WIRE  
1000V MAX. IN SIGNS, FIXTURES, AND LUMINAIRES
  - 105°C (221°F) MAX. TEMP. RATING OF INSUL. MAT'L.
  - STRANDED COPPER WIRE ONLY
- PACKAGE QTY:  
3K = 3000 PCS. ON CONTINUOUSLY MOLDED CARRIER STRIP
- MATERIAL:
  - STAMPING: .81 (.03)THK. COPPER, TIN PLATED
  - SLEEVE: BRASS, TIN PLATED
  - HOUSING: TYPE 6/6 NYLON, BLUE
- WIRE STRIP LENGTH:  $6,4^{+,8}_{-0}$  ( $1/4^{+1/32}_{-0}$ )
- DIMENSIONS IN BRACKETS ARE IN INCHES OR AWG
- UL LISTED AND CSA CERTIFIED WITH COPPER 16-14AWG WIRE ONLY



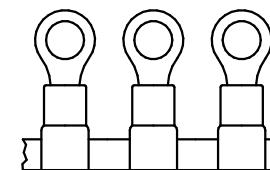
|             |          | PANDUIT PRESS                 |                               |        |        |                |                  |
|-------------|----------|-------------------------------|-------------------------------|--------|--------|----------------|------------------|
|             |          | CP-851<br><i>DISCONTINUED</i> | CP-860<br><i>DISCONTINUED</i> | CP-861 | CP-862 | CP-871<br>60HZ | CP-871/E<br>50HZ |
| APPLICATORS | CA-800   |                               | X                             | X      |        |                |                  |
|             | CA-800EZ | X                             |                               |        |        | X              | X                |
|             | CAS      |                               |                               |        | X      | X              | X                |



LISTED  
587H  
E52164



CERTIFIED  
LR31212



A41602\_01

**PANDUIT** CORP.

TINLEY PARK, ILLINOIS

|     |      |     |     |   |         |      |     |
|-----|------|-----|-----|---|---------|------|-----|
| 01  | 3/06 | DAW | DAW | ADDED DMNF2-35R-3K AND PANDUIT PRESS AND APPLICATOR CHART | TR00083 |      |     |
| 00  | 9/97 | TM  |     | RELEASED  | 6191    | LCA  | DBH |
| REV | DATE | BY  | CHK | DESCRIPTION   | ECN #   | CUST | PM  |

|   |       |       |             |
|---|-------|-------|-------------|
| 1,5-2,5 mm <sup>2</sup> METRIC CONTINUOUSLY MOLDED, NYLON INSULATED, FUNNEL ENTRY RING TERMINAL |       |       |             |
| DRAWN BY  | CHK'D | SCALE | DRAWING NO. |
| T SMA   |       | NONE  | A41602      |