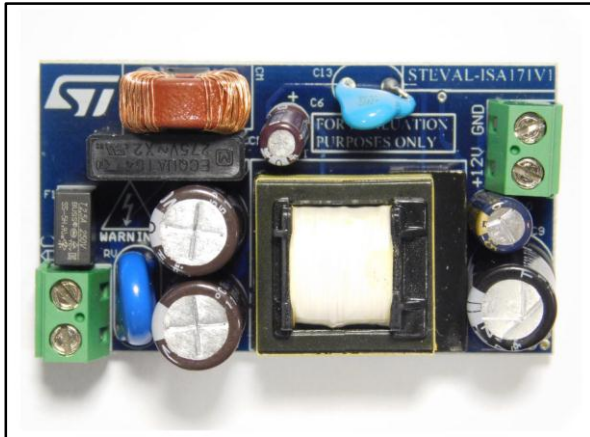

12 V - 15 W quasi resonant flyback converter based on the VIPER35HD

Data brief

**Description**

The STEVAL-ISA171V1 implements a 15 W power supply designed in quasi resonant flyback topology for a wide-range AC input voltage. Its key features are its small size and minimal bill of material, high efficiency and low standby consumption.

The core of the application is the VIPER35, the quasi-resonant offline high voltage converter from the VIPerPLUS product family.

The VIPER35 integrates an 800 V rugged power MOSFET with PWM current-mode control.

Extremely low consumption under no-load conditions is ensured thanks to burst mode operation that reduces the average switching frequency and minimizes all frequency-related losses.

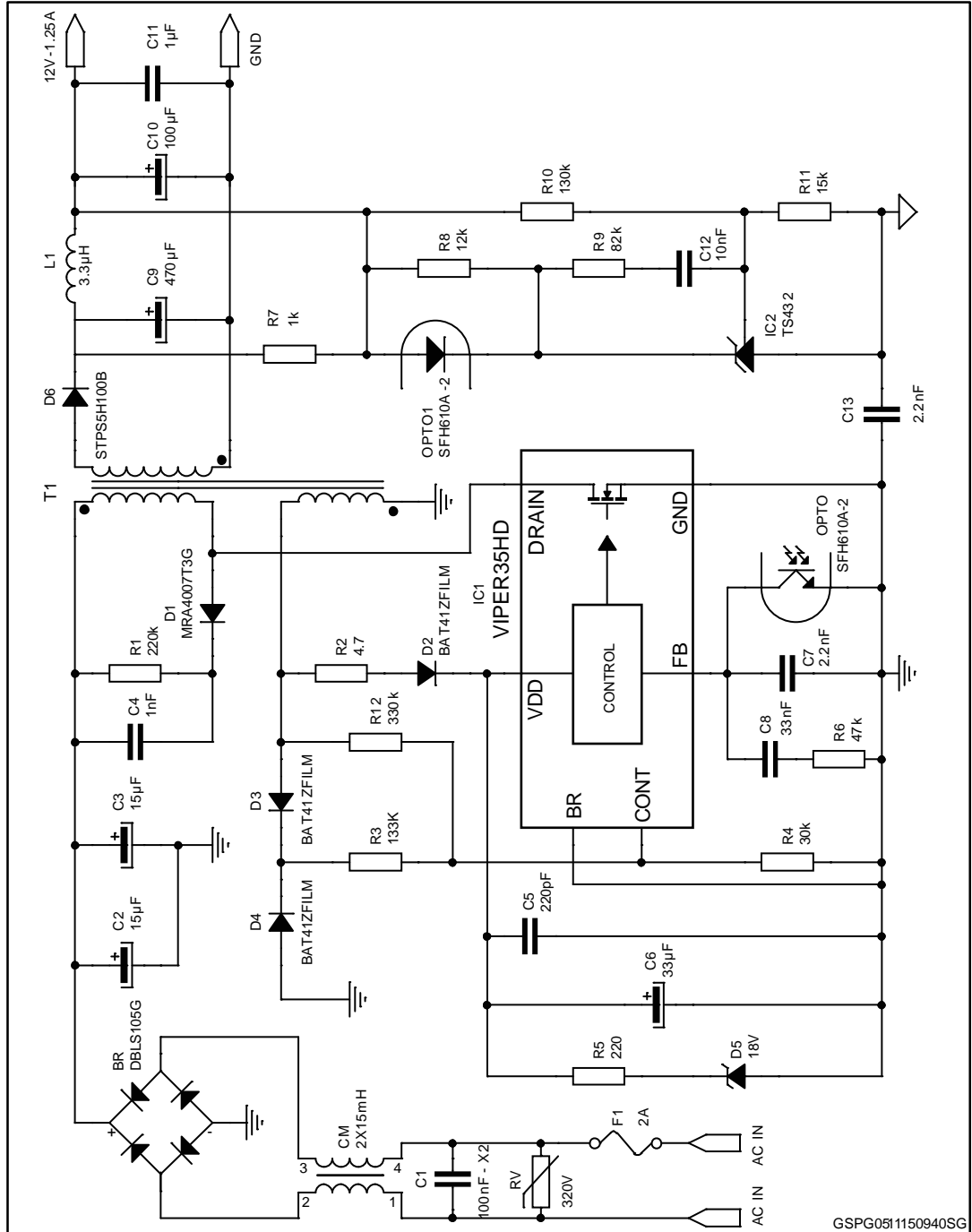
The VIPER35 operates in quasi resonant mode, a feature that helps to meet the EMI standards.

Features

- Wide input voltage range: 90 V_{AC} to 264 V_{AC}
- Output voltage: 12 V
- Output current: 1.25 A
- Rated output power: 15 W
- Quasi resonant operation
- Input power standby @ 230 V_{AC}: < 30 mW
- Active mode efficiency: > 82%
- EMI: pre-compliance with EN55022-Class-B
- RoHS compliant

1 Schematic diagram

Figure 1: STEVAL-ISA171V1 circuit schematic



2 Revision history

Table 1: Document revision history

Date	Version	Changes
06-Nov-2015	1	Initial release.

IMPORTANT NOTICE – PLEASE READ CAREFULLY

STMicroelectronics NV and its subsidiaries ("ST") reserve the right to make changes, corrections, enhancements, modifications, and improvements to ST products and/or to this document at any time without notice. Purchasers should obtain the latest relevant information on ST products before placing orders. ST products are sold pursuant to ST's terms and conditions of sale in place at the time of order acknowledgement.

Purchasers are solely responsible for the choice, selection, and use of ST products and ST assumes no liability for application assistance or the design of Purchasers' products.

No license, express or implied, to any intellectual property right is granted by ST herein.

Resale of ST products with provisions different from the information set forth herein shall void any warranty granted by ST for such product.

ST and the ST logo are trademarks of ST. All other product or service names are the property of their respective owners.

Information in this document supersedes and replaces information previously supplied in any prior versions of this document.

© 2015 STMicroelectronics – All rights reserved