

4

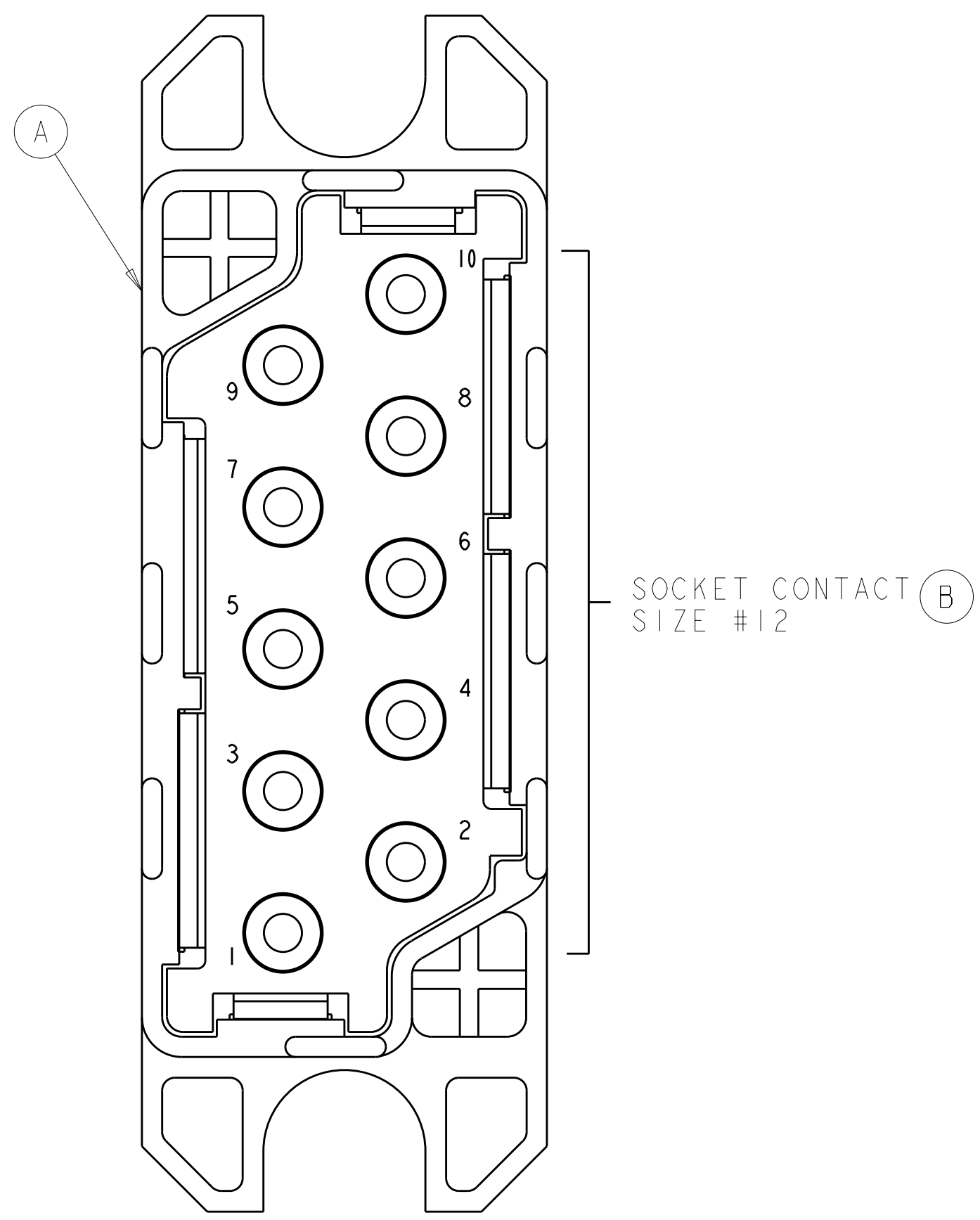
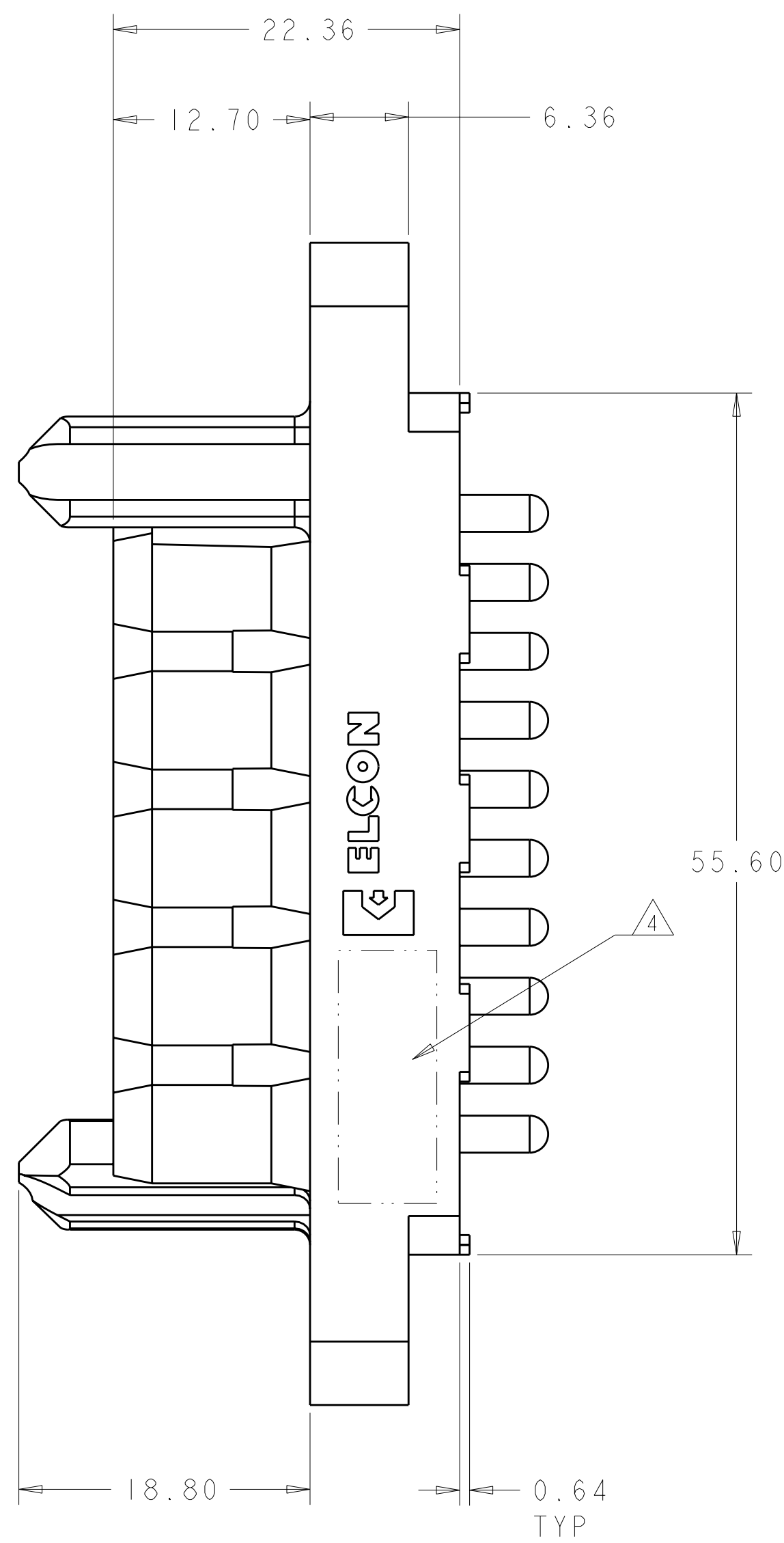
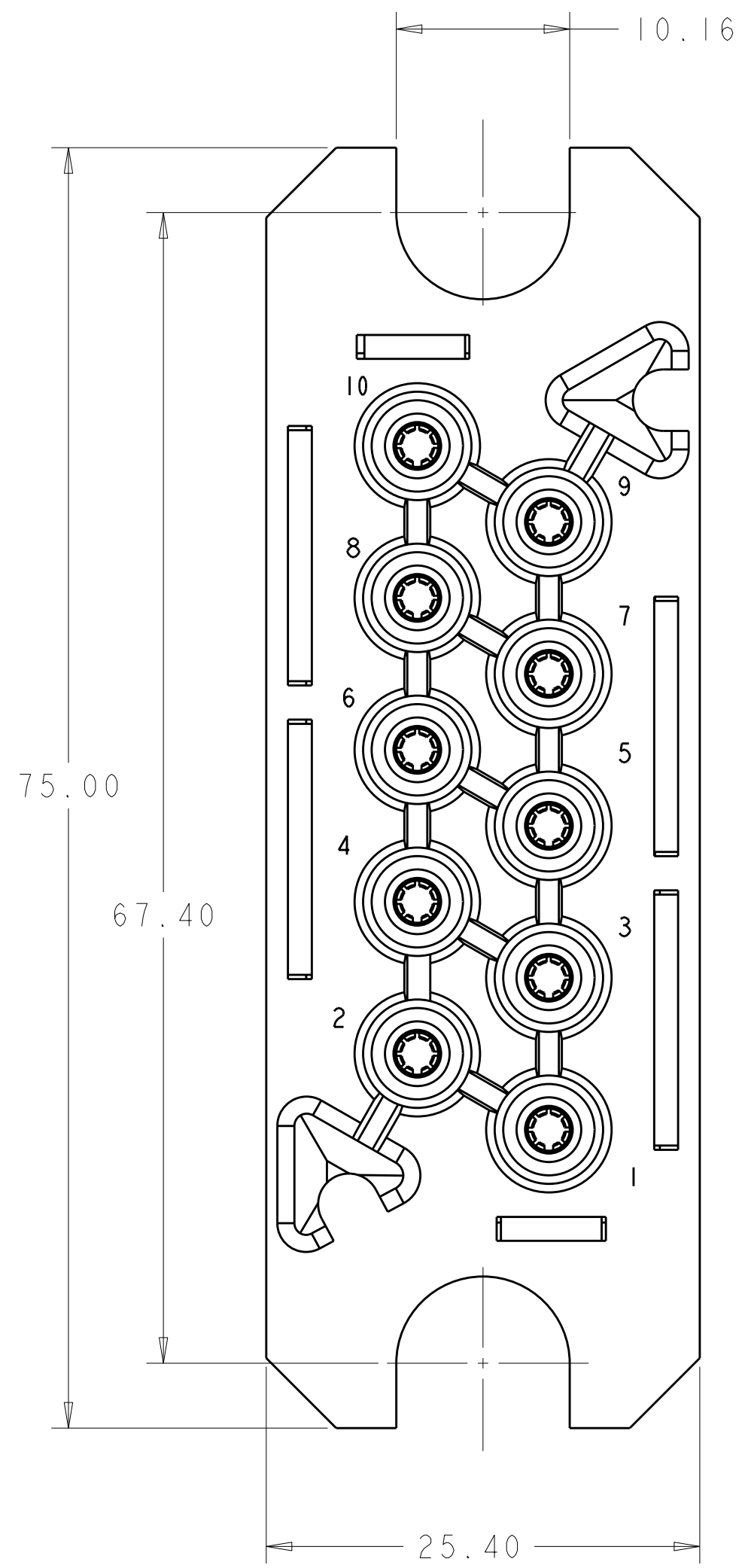
3

2

1

THIS DRAWING IS UNPUBLISHED. RELEASED FOR PUBLICATION 20  
 © COPYRIGHT 20 BY TYCO ELECTRONICS CORPORATION. ALL RIGHTS RESERVED.

LOC		DIST		REVISIONS			
P	LTR	DESCRIPTION	DATE	DWN	APVD		
GP	00	A	RELEASED	08MAY2008	RG	DO	



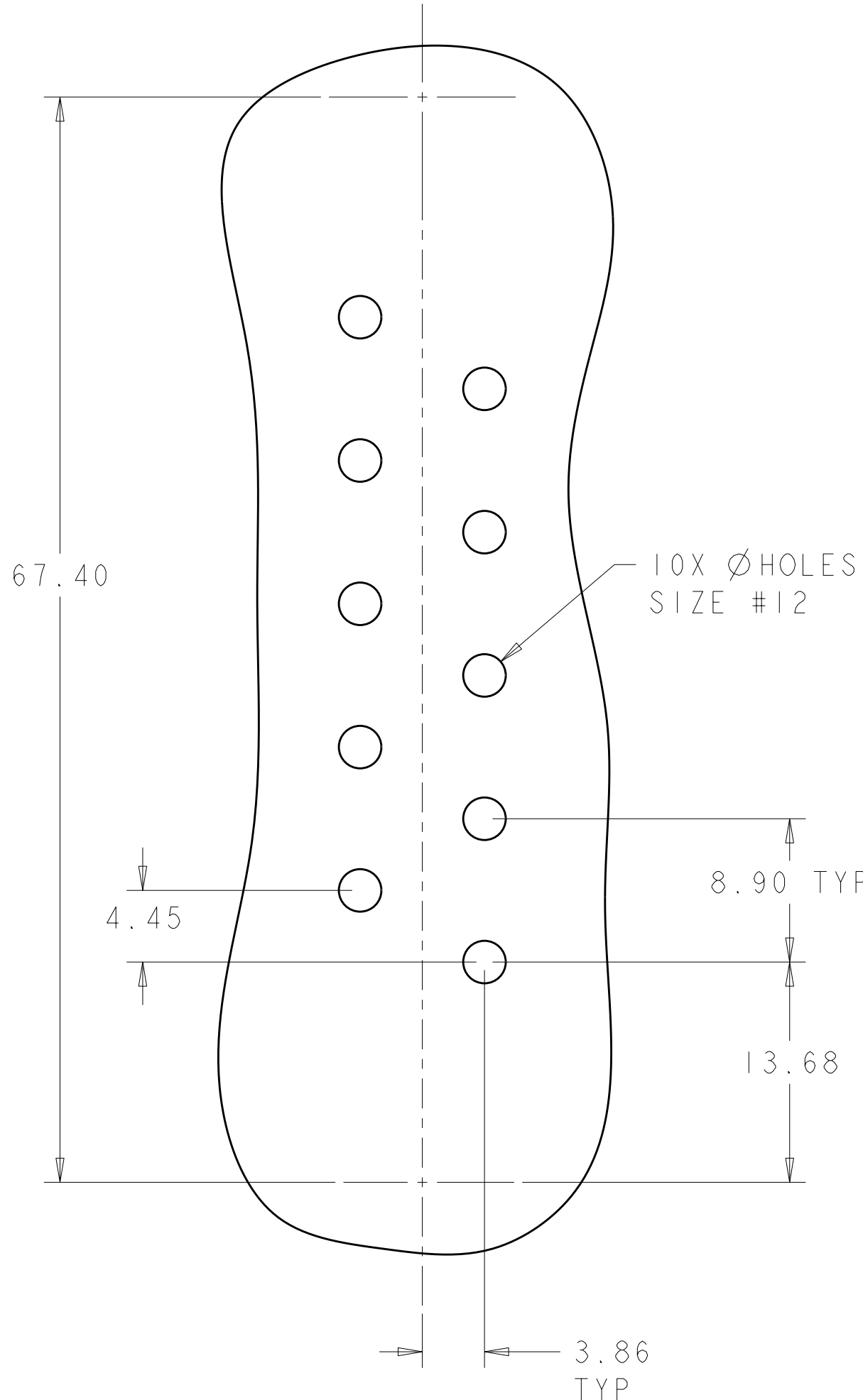
REAR VIEW

**ELCON P1050 DRAWER**

THIS DRAWING IS A CONTROLLED DOCUMENT FOR TYCO ELECTRONICS CORPORATION. IT IS SUBJECT TO CHANGE AND THE CONTROLLING ENGINEERING ORGANIZATION SHOULD BE CONTACTED FOR THE LATEST REVISION.		DWN R. GRZYBOWSKI 17APR08	Tyco Electronics Harrisburg, PA 17105-3608	
DIMENSIONS: mm		CHK D. ORRIS 17APR08	NAME CONNECTOR ASSEMBLY SOCKET P1050 DRAWER	
TOLERANCES UNLESS OTHERWISE SPECIFIED: 0 PLC ± 1 PLC ± 2 PLC ±.30 3 PLC ±.10 4 PLC ± ANGLES ±2 FINISH		APVD S. FLICKINGER 17APR08	SIZE A200779	DRAWING NO C-1926816
MATERIAL		PRODUCT SPEC	RESTRICTED TO	
		APPLICATION SPEC	SCALE 3:1	SHEET 1 OF 2
		WEIGHT	REV A	
		CUSTOMER DRAWING		

THIS DRAWING IS UNPUBLISHED. RELEASED FOR PUBLICATION 20  
 © COPYRIGHT 20 BY TYCO ELECTRONICS CORPORATION. ALL RIGHTS RESERVED.

LOC	DIST	REVISIONS					
GP	00	P	LTR	DESCRIPTION	DATE	DWN	APVD
		-		SEE SHEET 1			



**SUGGESTED PC BOARD LAYOUT**  
 VIEW FROM CONNECTOR MOUNTING SIDE  
 HOLE SIZE #12  
 FINISHED HOLE:  $\varnothing .104 \pm .003$   
 DRILLED HOLE:  $\varnothing .1065 \pm .0005$   
 COPPER PLATE: .0010 MIN  
 TIN PLATE: .0002 MIN THK.

- PART NUMBER CHANGES AND OR DESIGN CHANGES AFFECTING ITEM INTERCHANGEABILITY REQUIRE PRIOR TYCO ELECTRONICS APPROVAL AND AUTHORIZATION BY REVISION TO THIS DRAWING.
- MATERIAL:  
 INSULATORS - THERMOPLASTIC, GLASS REINFORCED  
 COLOR: BLACK, UL94V-0 FLAMMABILITY RATED.  
 SOCKET CONTACTS - COPPER ALLOY  
 RETENTION CLIPS: BERYLLIUM COPPER OR STAINLESS STEEL  
 CROWN BAND: BERYLLIUM COPPER
- FINISH:  
 CONTACT BODY - SILVER PLATE 5.08 $\mu$ m MIN. THK. OVER  
 NICKEL 1.27 $\mu$ m MIN. THK.  
 CROWN BAND - GOLD PLATE 0.76 $\mu$ m MIN THK. OVER  
 NICKEL 1.02 $\mu$ m MIN. THK.

△ ITEMS PROVIDED TO THIS SPECIFICATION TO BE PERMANENTLY IDENTIFIED PER THE FOLLOWING IDENTIFIER LABEL

YEAR 11 WEEK 11

TYCO ELECTRONICS P/N                      DATE CODE (e.g. 0106)

XXXXXXXX-X                                      XXXX

△ SOLDER TAIL CONTACTS (ITEM B) ARE INSERTABLE/ NON-REMOVABLE.

△ 10	6648374-1	CONTACT, SOCKET #12, PCB TAIL	B
1	1648596-2	SOCKET, CONNECTOR ASSY	A
-1	PART NUMBER	DESCRIPTION	ITEM NO.

<small>THIS DRAWING IS A CONTROLLED DOCUMENT FOR TYCO ELECTRONICS CORPORATION. IT IS SUBJECT TO CHANGE AND THE CONTROLLING ENGINEERING ORGANIZATION SHOULD BE CONTACTED FOR THE LATEST REVISION.</small>		DWN R.GRZYBOWSKI 17APR08 CHK D.ORRIS 17APR08 APVD S.FLICKINGER 17APR08	Tyco Electronics Harrisburg, PA 17105-3608
DIMENSIONS: mm	TOLERANCES UNLESS OTHERWISE SPECIFIED: 0 PLC ±- 1 PLC ±- 2 PLC ±.30 3 PLC ±.10 4 PLC ±- ANGLES ±2 FINISH	PRODUCT SPEC APPLICATION SPEC WEIGHT -	NAME CONNECTOR ASSEMBLY SOCKET P1050 DRAWER
MATERIAL -		CUSTOMER DRAWING	SIZE A2 CAGE CODE 00779 DRAWING NO. 1926816 RESTRICTED TO -
SCALE 3:1			SHEET 2 OF 2 REV A

**ELCON P1050 DRAWER**