



**MODEL:** SP-7721  
**PRODUCT:** Dynamic Speaker  
**EDITION:** A/2017

---

**THIS SPECIFICATION COVERS OUR PRODUCT OF DYNAMIC SPEAKER**

**SPEAKER ELECTROACOUSTIC CHARACTERISTICS**

sound pressure level	92±3dB (0.1W/0.1M) @AVE 0.6KHz, 0.8KHz, 1.0KHz,1.2KHz
frequency response curve	As shown in Fig.3
resonance frequency (F0)	400±20% Hz
rated noise power	1.0W
short-term max. power	2.0W
frequency range	F0~4KHz.
test setup	Measuring conditions and procedures shown in Fig 1
AC impedance	8±15%Ω
magnet	Rare earth permanent (NdFeB) magnet φ 32x18x6mm
distortion	Less Than 5% @1KHz Input Rated Power
buzz, rattle, etc.	Not audible from F0 to 20KHz with 2.83V sine wave input
polarity	When positive voltage is applied to the terminal marked (+), diaphragm should be moved to the front.
dimensions	ø 77.0 x 21.0mm
weight	85g ±8%

**GENERAL REQUIREMENTS**

operating temperature range	-20°C ~ +65°C
storage temperature range	-30°C ~ +80°C
standard test conditions	'
temperature	5°C ~ 35°C
relative humidity	45% ~ 85%(RH)
air pressure	860 mbar ~ 1060 mbar



**MODEL:** SP-7721  
**PRODUCT:** Dynamic Speaker  
**EDITION:** A/2017

**RELIABILITY TESTS**

After these tests , the change of S.PL will be within  $\pm 3\text{dB}$

**HIGH TEMPERATURE TEST**

high temperature	$+70^{\circ}\text{C}\pm 3^{\circ}\text{C}$
duration	96 hours (leave 6 hours in normal temperature and then check)

**LOW TEMPERATURE TEST**

low temperature	$-30^{\circ}\text{C}\pm 3^{\circ}\text{C}$
duration	96 hours (leave 6 hours in normal temperature and then check)

**HUMIDITY TEST**

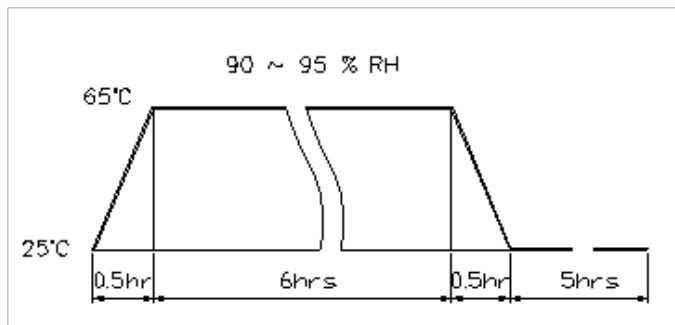
temperature	$+30^{\circ}\text{C}\pm 3^{\circ}\text{C}$
relative humidity	92%~95%
duration	96 hours (leave 3 hours in normal temperature and then check)

**VIBRATION**

10Hz ~55Hz ~10Hz sine-wave sweep 15 minutes 5G(constant)	
X, Y, Z	3 directions, 2 hours each, total 6 hours

**TEMP./HUMIDITY CYCLE**

The part will be subjected to 5 cycles. One cycle shall be 6 hours and consist of:



**DROP TEST**

Drop speakers contained in normal box on to the board 40mm thick 10 times from the height of 75cm

**LOAD TEST**

Rated Power White noise is applied for 24 hours at room temp.

**LEAD WIRE PULL STRENGTH**

The pull force will be applied to double lead wire:

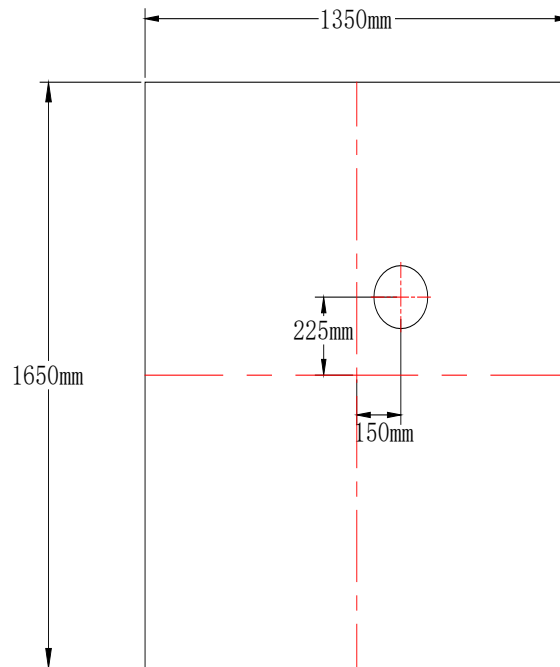
Horizontal 3.0N (0.306kg) for 30 seconds

Vertical 2.0N (0.204kg) for 30 seconds



**MODEL:** SP-7721  
**PRODUCT:** Dynamic Speaker  
**EDITION:** A/2017

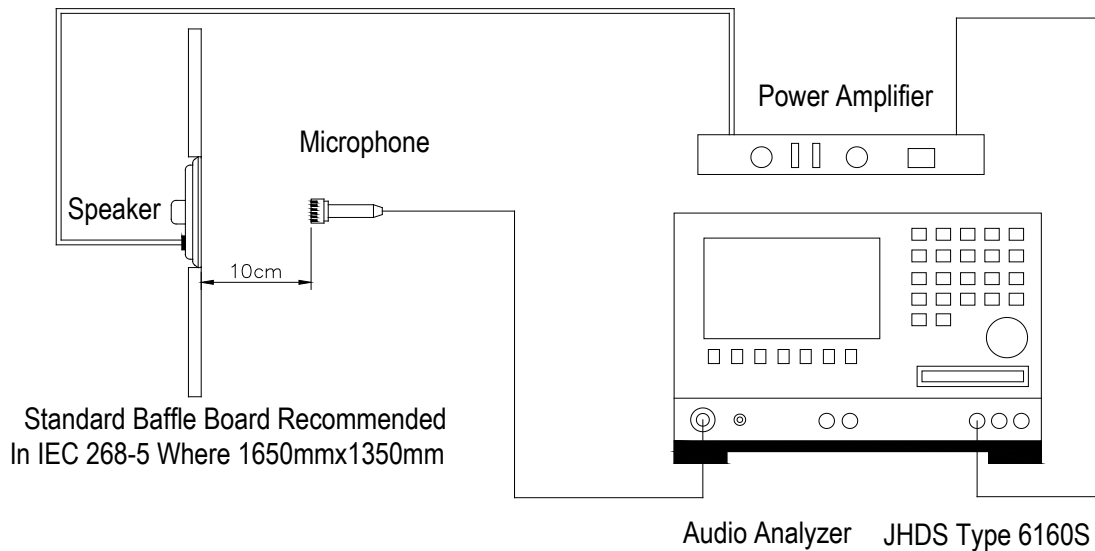
**MEASURING METHOD (SPEAKER MODE)** (Fig. 1)



**Standard baffle**

**BLOCK DIAGRAM FOR MEASUREMENT METHOD** (Fig. 2)

**Standard test condition of speaker**

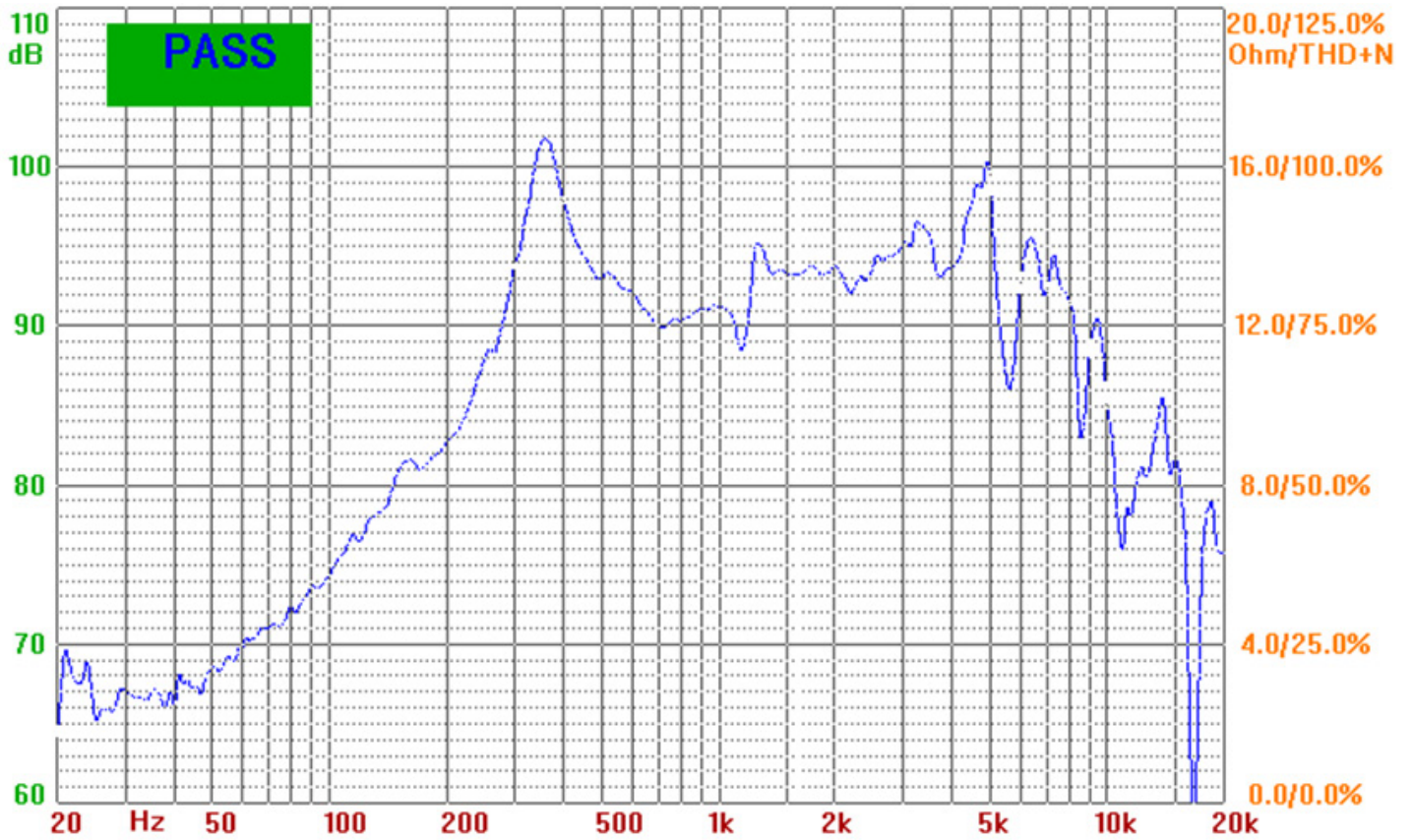




**MODEL:** SP-7721  
**PRODUCT:** Dynamic Speaker  
**EDITION:** A/2017

### FREQUENCY RESPONSE CURVE (Fig. 3)

The swept sine-wave frequency response of a loudspeaker should ideally not deviate more than indicated.

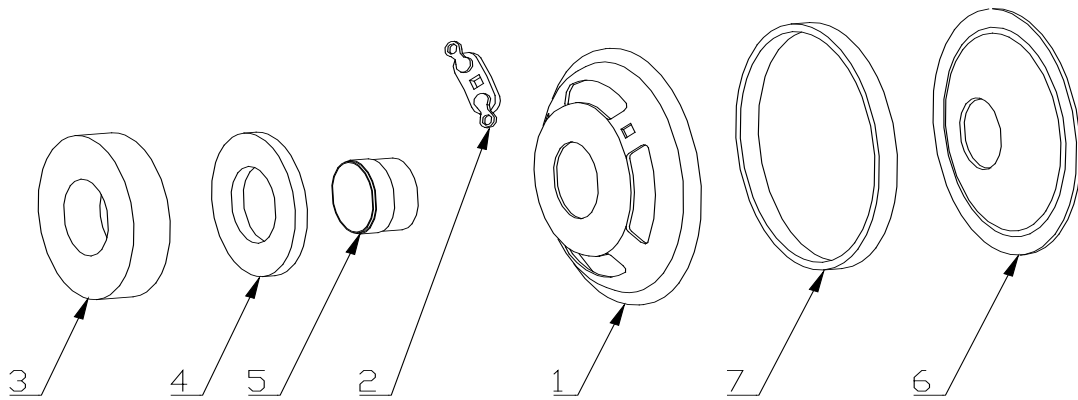
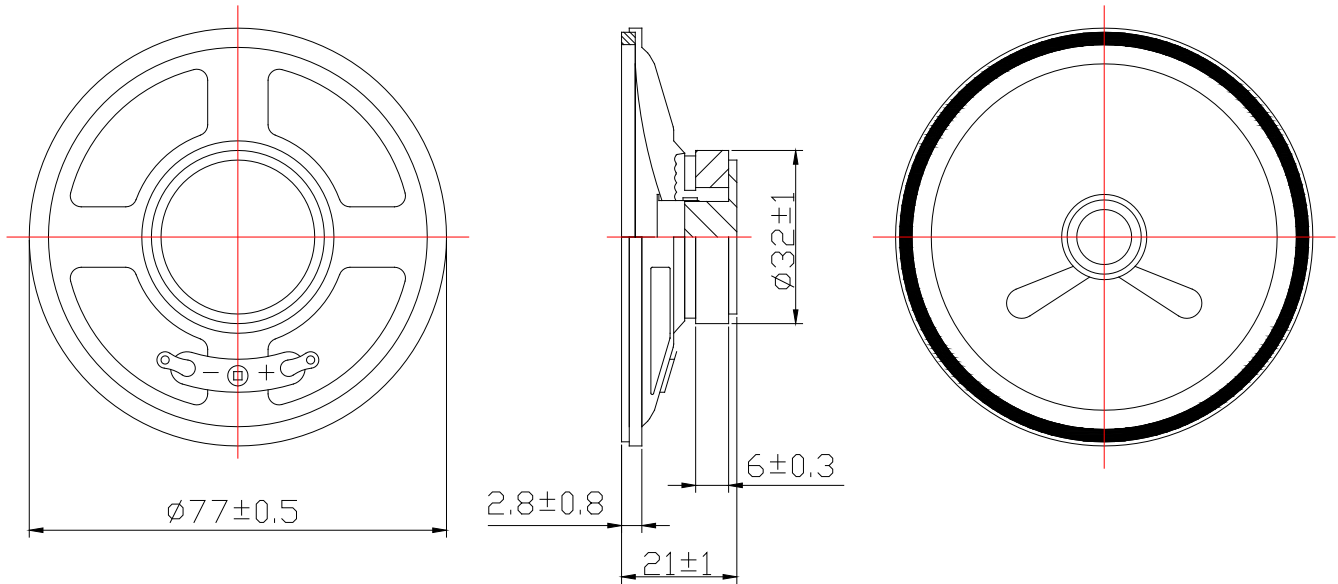




**MODEL:** SP-7721  
**PRODUCT:** Dynamic Speaker  
**EDITION:** A/2017

**DIMENSIONS**

Tolerance:  $\pm 0.5$  unit: mm



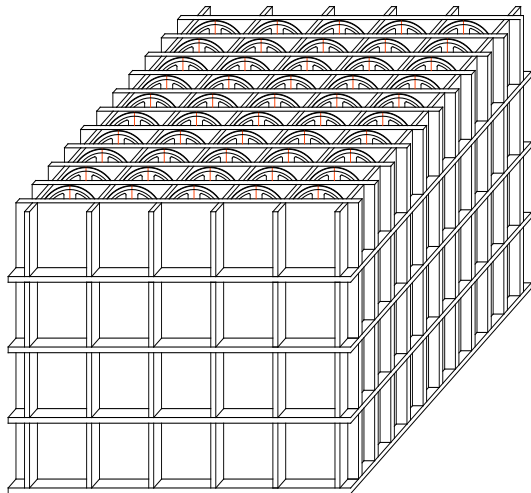
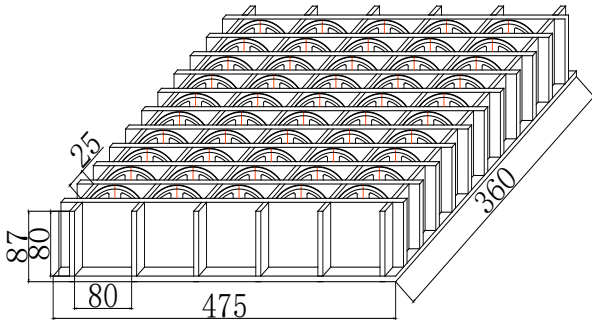
no	item	material	quantity
1	Frame	1	SPCC
2	PCB Terminal	1	Paper+meter
3	Magnet	1	NdFeB
4	Plate	1	SPCC
5	Voice Coil	1	Paper+Cu
6	Diaphragm	1	Paper
7	Casket	1	Paper



**MODEL:** SP-7721  
**PRODUCT:** Dynamic Speaker  
**EDITION:** A/2017

Soberton Inc.

## PACKING



1. Each clapboard 50pcs,  
each carton 4 clapboards,  
200pcs/carton  
N.W: 11 KG, G.W:13 KG
2. Corrugated paper: 475\*360mm 1 pcs
3. Carton size:490\*375\*375mm 1 pcs

