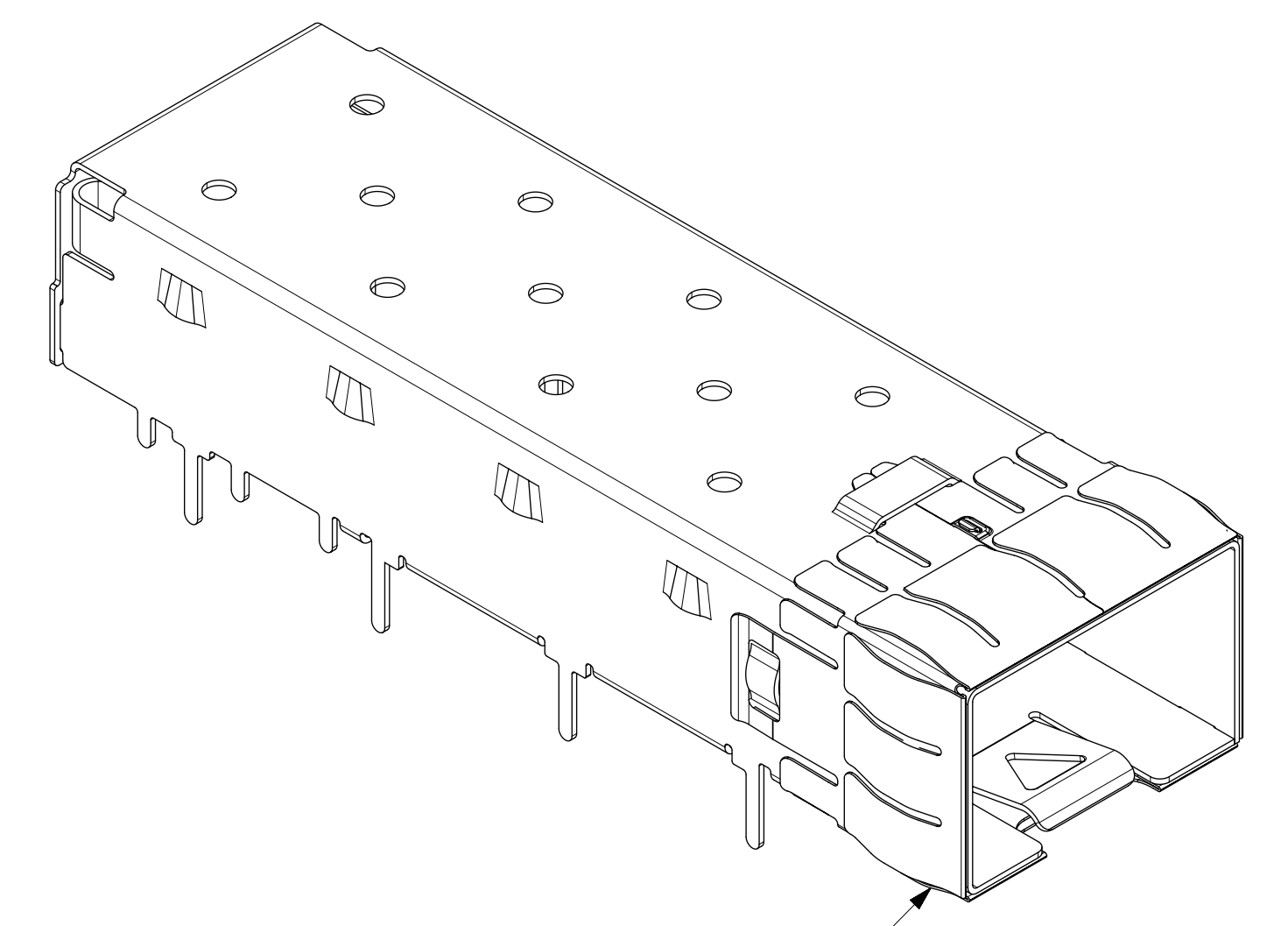
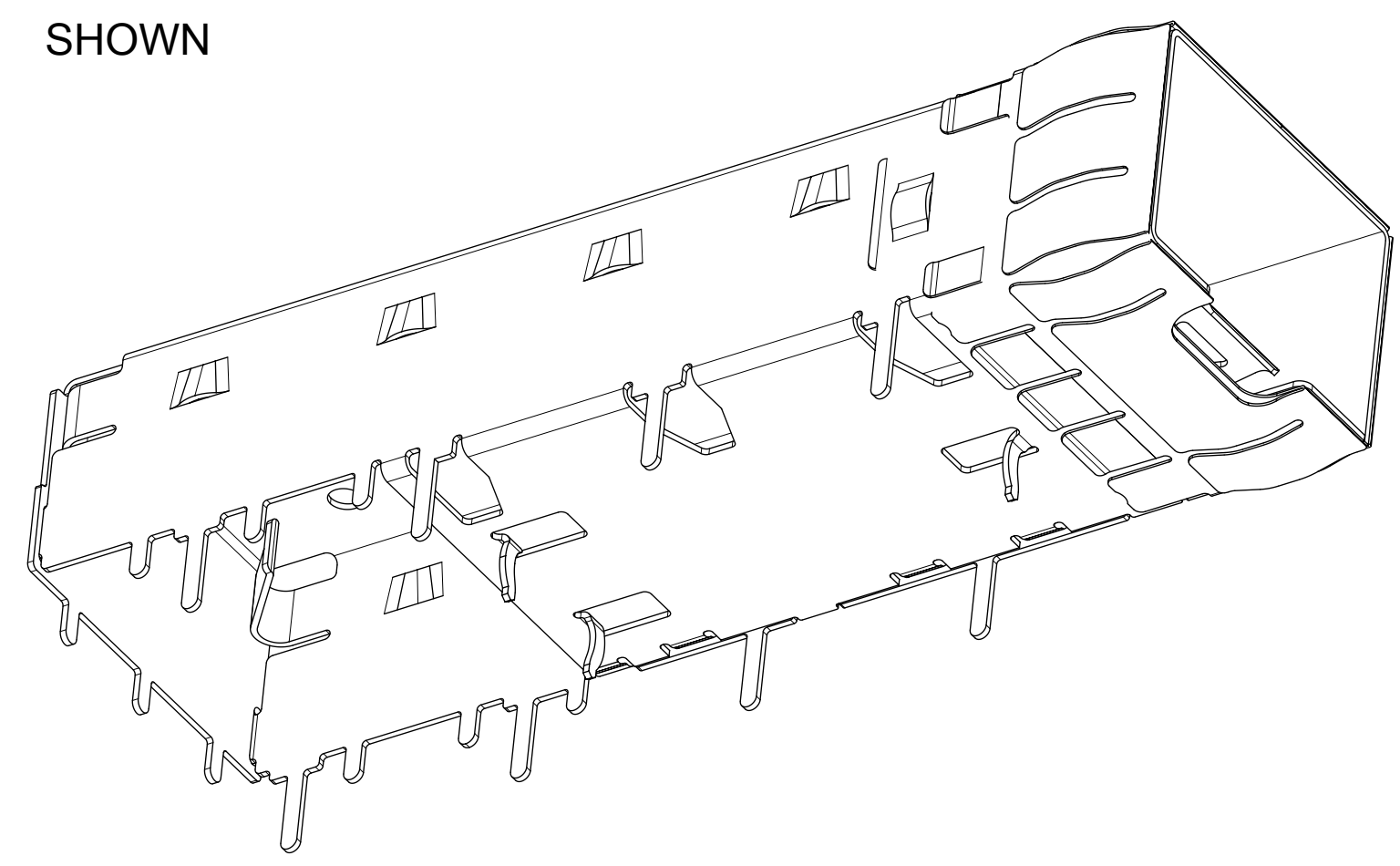
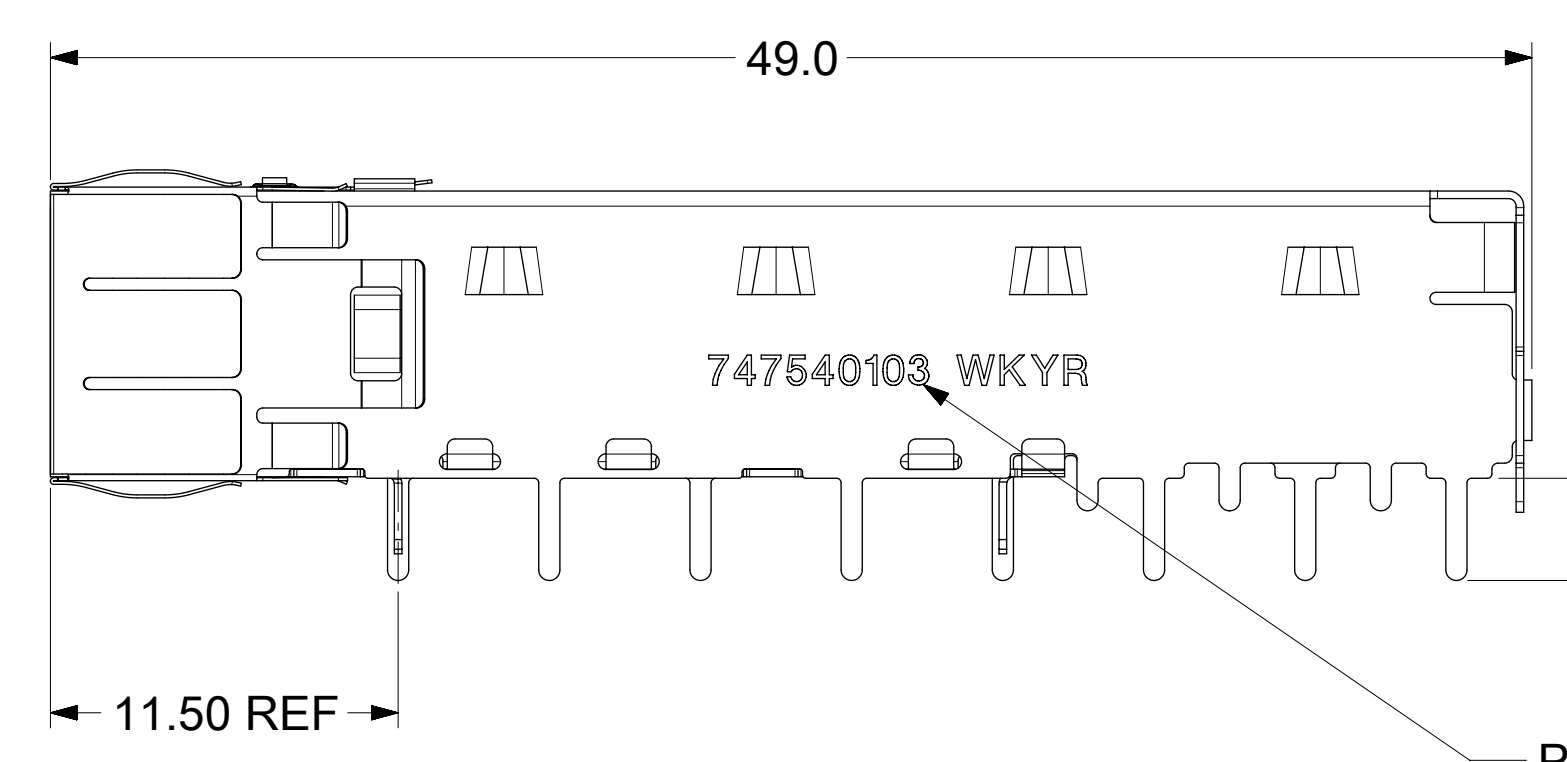
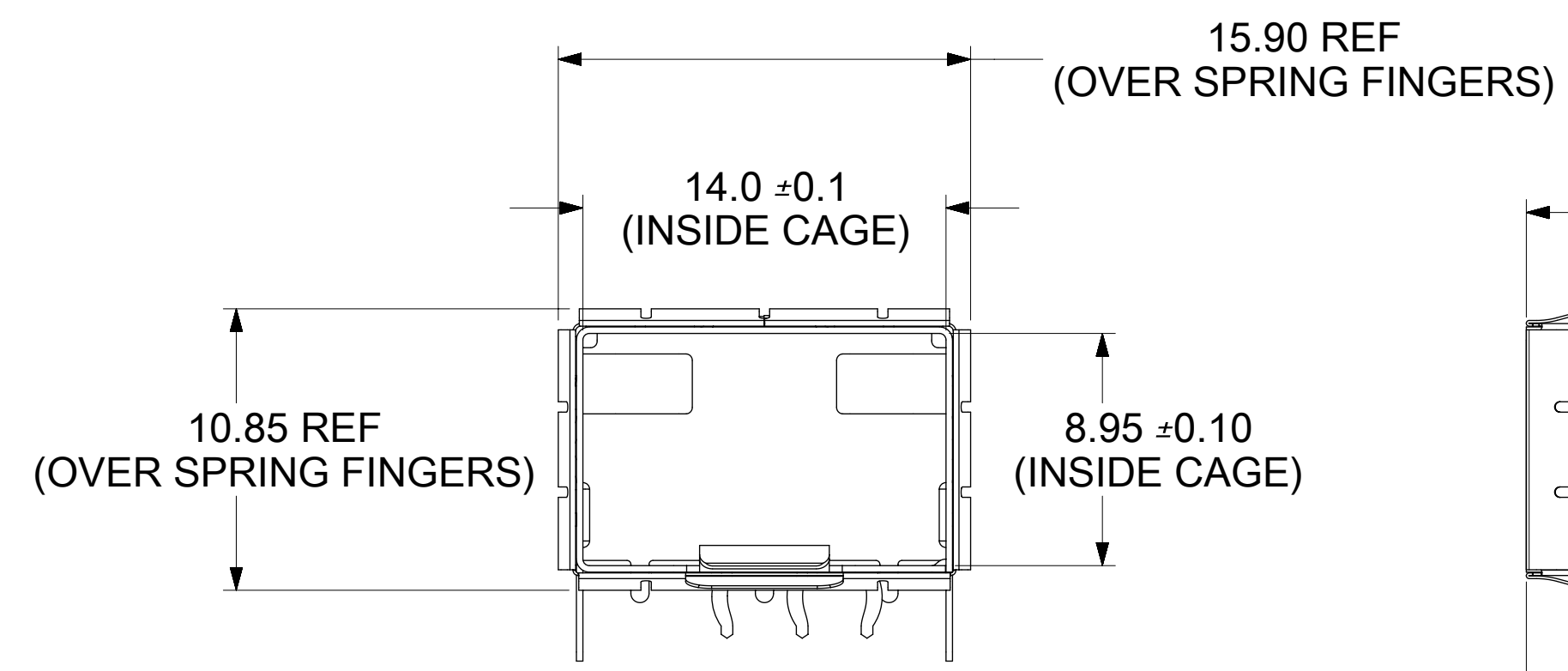


747540103

SHOWN



EMI SPRING



P/N AND WEEK/YEAR DATE CODE TO BE PRINTED / STAMPED ON THE SIDE OF COMPLETED CAGE ASSEMBLY AS SHOWN.

SEE TABLE BELOW FOR DATE CODE INFORMATION.

WEEK/YEAR DATE CODE TABLE	
WK	WEEK OF THE YEAR 01 THRU 52 (EXAMPLE: 01= FIRST WEEK OF YEAR 52= LAST WEEK OF YEAR)
YR	16, 17, 18 ETC.. (EXAMPLE: YEAR 2016= 16)

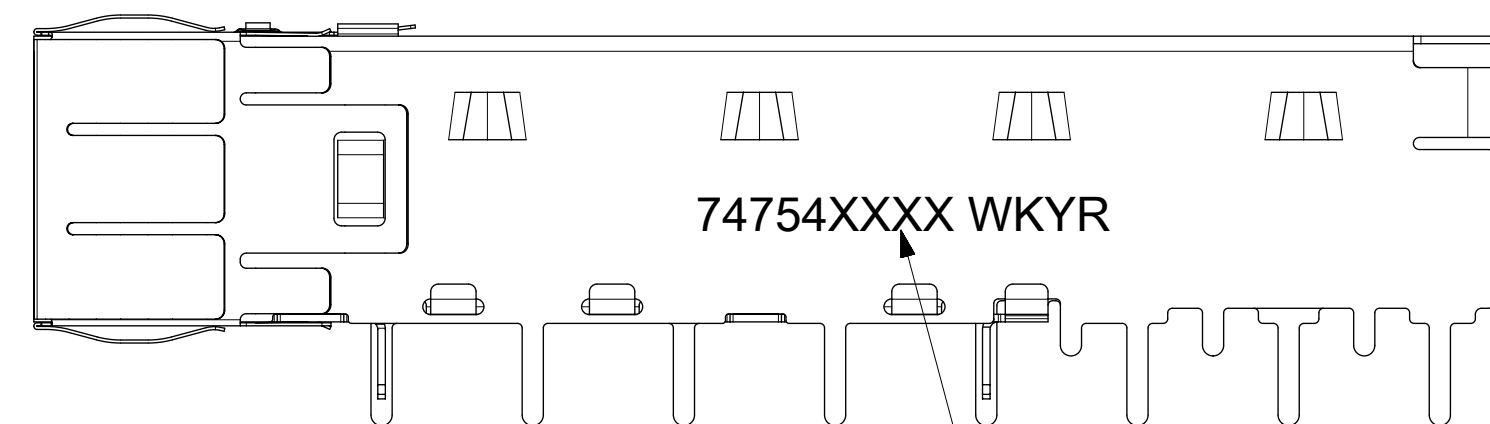
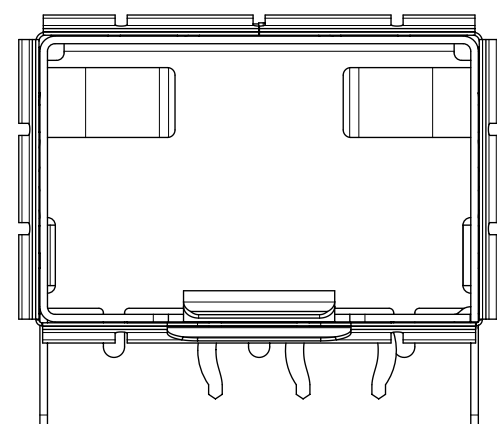
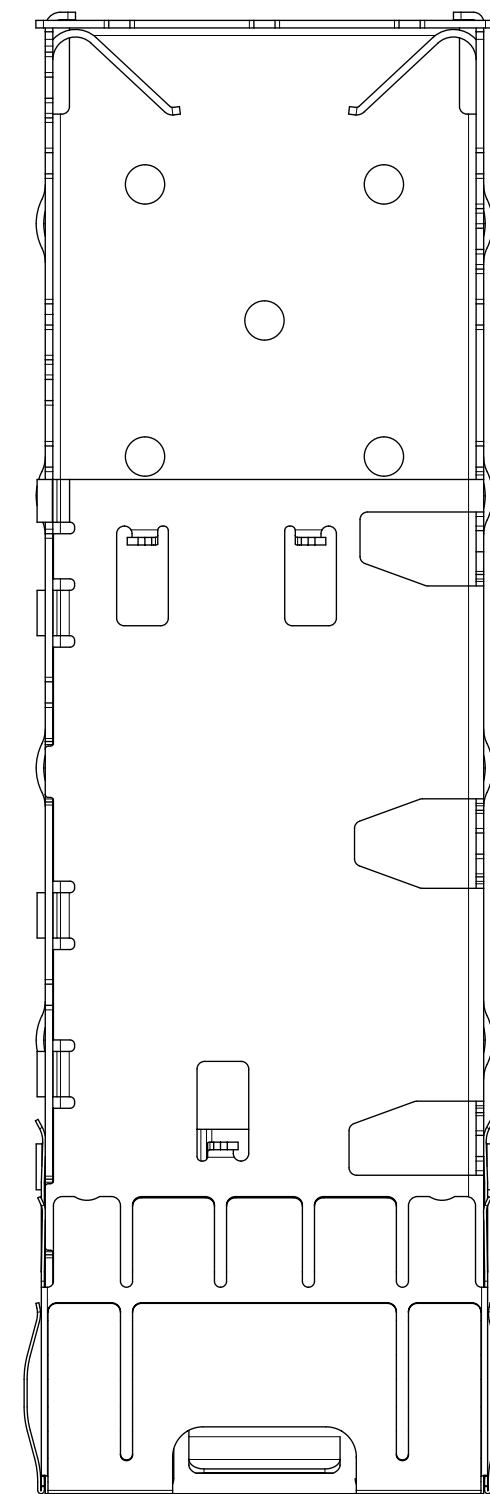
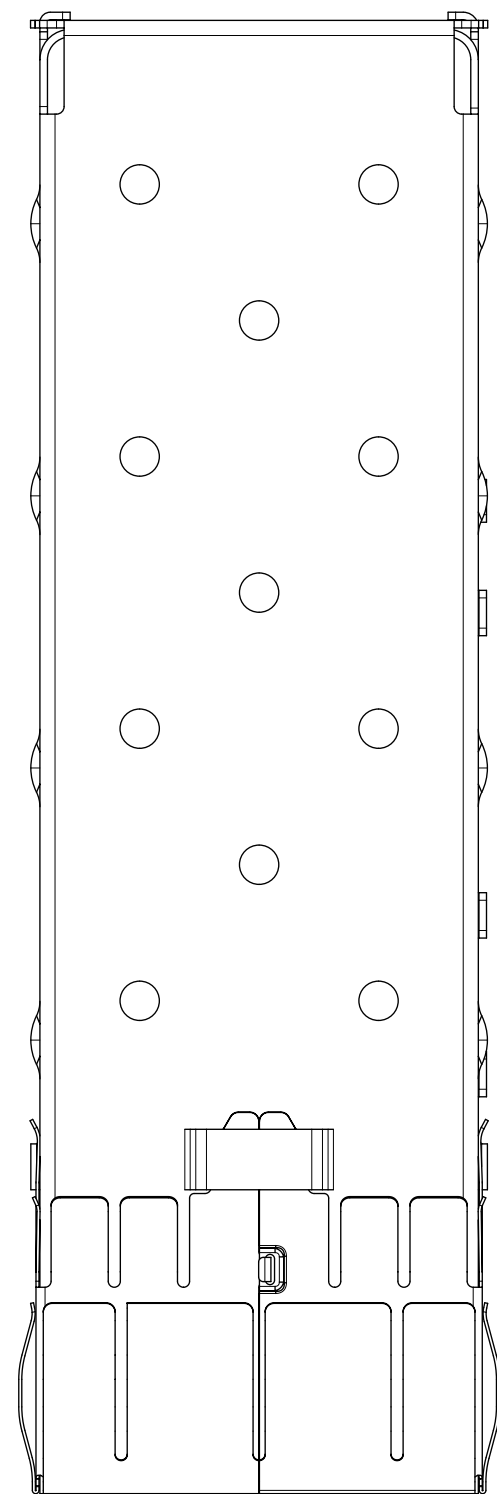
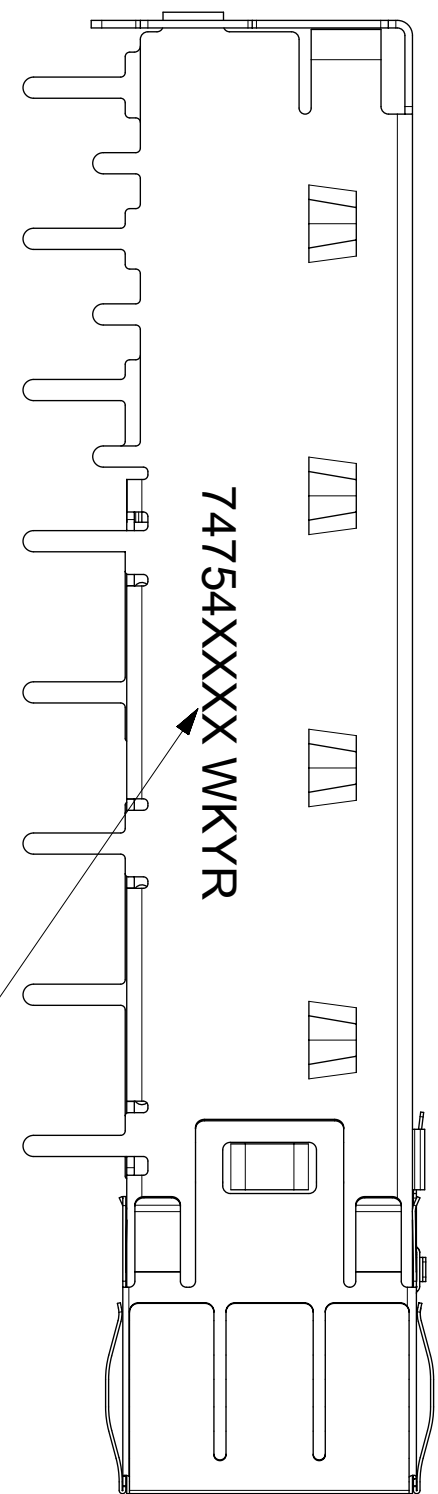
NOTES:

- MATERIAL:
CAGE: COPPER ALLOY, THICKNESS 0.25mm
SPRING FINGER: NICKEL PLATED COPPER ALLOY, THICKNESS 0.10mm
- OPTIONAL LIGHT PIPE ASSEMBLY AVAILABLE
- PORTS ARE DESIGNED FOR SFP+ TRANSCEIVERS AND ARE BACKWARDS COMPATIBLE WITH SFP TRANSCEIVERS
- NO RoHS EXEMPTIONS
- WITHOUT ANY DISCOLORATION AFTER IR REFLOW TEST (REFER TO PS OF 747540001)

SFP+ 1X1 CAGE				
PART NO.	PLATING	DIM, A	PACKING	SHEET NO.
747540103	PRE-PLATED WITH NICKEL	3.38	TRAY	SHEET 1
747540120	UNPLATED	3.38	TRAY	SHEET 2
747540134	PRE-PLATED WITH NICKEL	2.80	TRAY	SHEET 2
747540901	PRE-PLATED WITH NICKEL	2.20	TRAY	SHEET 2
747548103	MATT TIN	2.80	T & R	SHEET 2
747540906	PRE-PLATED WITH NICKEL	2.20	T & R	SHEET 2

THIS DRAWING CONTAINS INFORMATION THAT IS PROPRIETARY TO MOLEX ELECTRONIC TECHNOLOGIES, LLC AND SHOULD NOT BE USED WITHOUT WRITTEN PERMISSION

QUALITY SYMBOLS F = 0 E = 0 E = 0 = 0 C = 0 X = 0 = 0 = 0	SEE REVISION TABLE EC NO: 110131 DRWN: DSUN15 CHKD: DSUN15 REV APPR: RCHEN08	GENERAL TOLERANCES (UNLESS SPECIFIED) DIMENSION UNITS: MM SCALE: 4:1 ANGULAR TOL ± 1.0 °	DIMENSION UNITS: MM SCALE: 4:1		
		4 PLACES ± 3 PLACES ± 2 PLACES ± 0.15 1 PLACE ± 0.25 0 PLACES ±	DRWN BY: BTEJA DATE: 2016/02/28		SFP+ 1X1 CAGE ASSEMBLY WITH SPRING FINGERS AND SOLDER POST LEGS
		DRAFT WHERE APPLICABLE MUST REMAIN WITHIN DIMENSIONS	CHKD BY: DSUN15 DATE: 2016/03/02		
		DIMENSION UNITS: D THIRD ANGLE PROJECTION	APPR BY: RCHEN08 DATE: 2016/03/08		
PRODUCT CUSTOMER DRAWING		SERIES: 74754 MATERIAL NUMBER: SEE P/N TABLE CUSTOMER:	DOCUMENT NUMBER: 747540103 DOC TYPE: PSD DOC PART: ASY SHEET NUMBER: 1 OF 5		



P/N AND WEEK/YEAR DATE CODE TO BE PRINTED ON THE SIDE OF COMPLETED CAGE ASSEMBLY AS SHOWN.

SEE TABLE BELOW FOR DATE CODE INFORMATION.

WEEK/YEAR DATE CODE TABLE	
WK	WEEK OF THE YEAR 01 THRU 52 (EXAMPLE: 01= FIRST WEEK OF YEAR 52= LAST WEEK OF YEAR)
YR	16, 17, 18 ETC.. (EXAMPLE: YEAR 2016= 16)

NOTES:

1. ALL DIMENSIONS ARE REFER TO SHEET 1

PART NO.
747540120
747540134
747540901
747548103
747540906

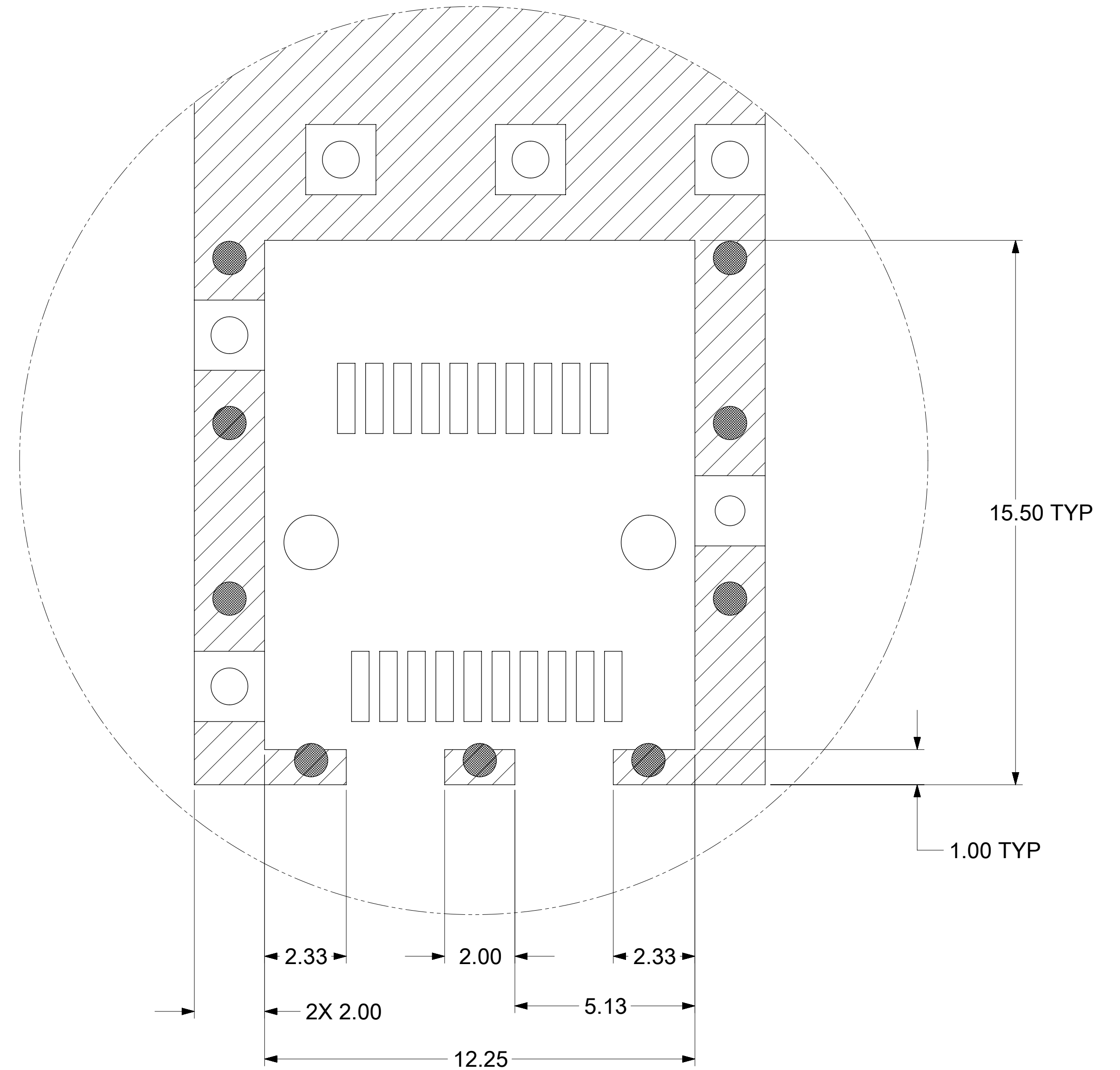
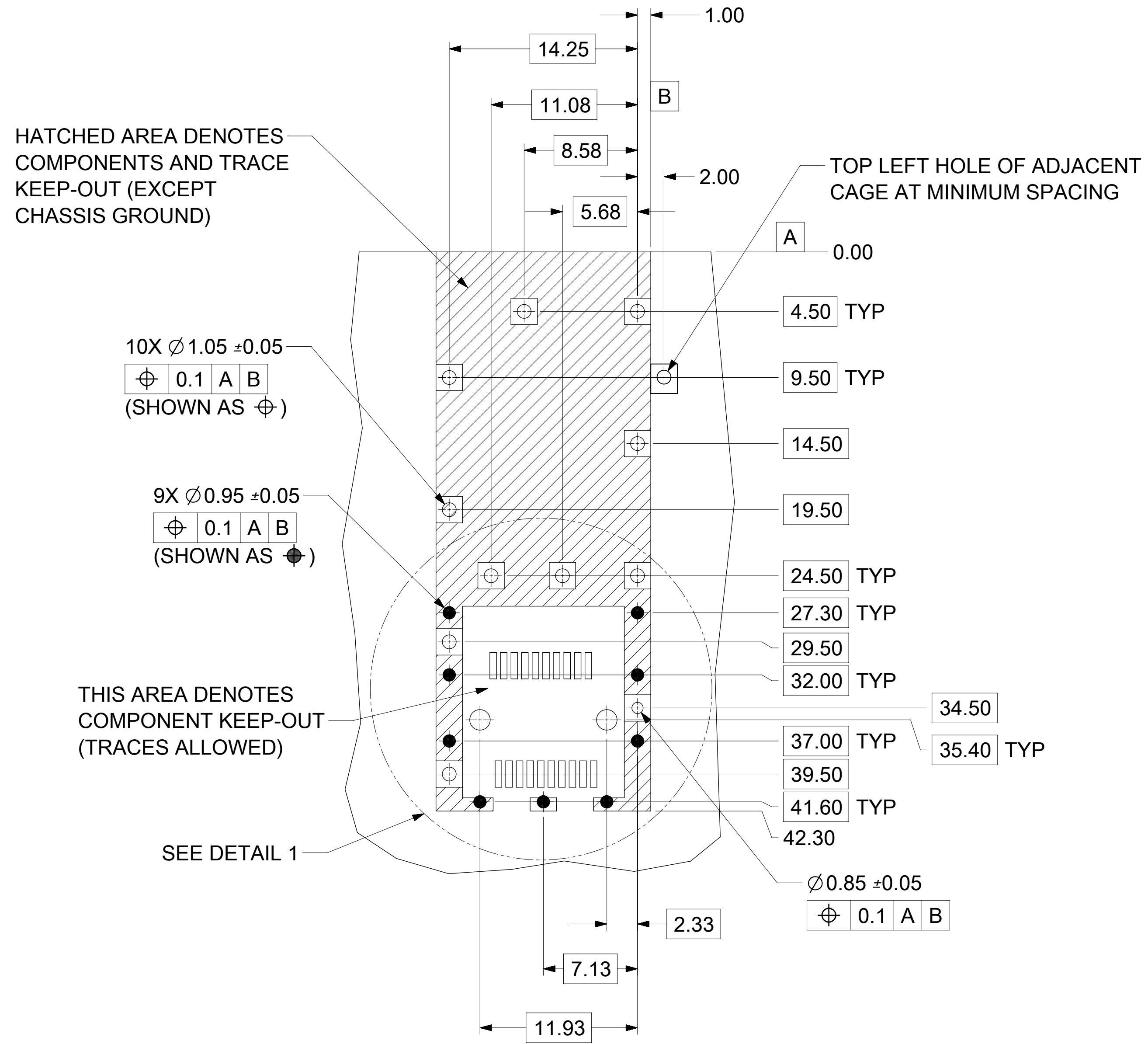
THIS DRAWING CONTAINS INFORMATION THAT IS PROPRIETARY TO MOLEX ELECTRONIC TECHNOLOGIES, LLC AND SHOULD NOT BE USED WITHOUT WRITTEN PERMISSION											
QUALITY SYMBOLS F = 0 E = 0 D = 0 C = 0 B = 0 A = 0 P = 0	SEE REVISION TABLE EC NO: 110131 DRWN: DSUN15 CHKD: DSUN15 REV APPR: RCHEN08	2016/10/27	2016/11/06	2016/11/06	GENERAL TOLERANCES (UNLESS SPECIFIED)	DIMENSION UNITS	SCALE				
					ANGULAR TOL ± 1.0 °	MM	4:1				
					4 PLACES ±	DRWN BY	DATE	BTEJA		2016/02/28	
					3 PLACES ±	CHKD BY	DATE	DSUN15		2016/03/02	
			2 PLACES ± 0.15	APPR BY	DATE	RCHEN08		2016/03/08			
			1 PLACE ± 0.25	DRAWING SIZE	THIRD ANGLE PROJECTION	D		SERIES: 74754 MATERIAL NUMBER: SEE P/N TABLE CUSTOMER:			
			0 PLACES ±	DRAFT WHERE APPLICABLE MUST REMAIN WITHIN DIMENSIONS				DOCUMENT NUMBER: 747540103 DOC TYPE: PSD DOC PART: ASY SHEET NUMBER: 2 OF 5			

MOLEX INTERNAL USE ONLY

SFP+ 1X1 CAGE ASSEMBLY WITH SPRING FINGERS AND SOLDER POST LEGS

PRODUCT CUSTOMER DRAWING

PCB LAYOUT FOR SINGLE SIDE MOUNT

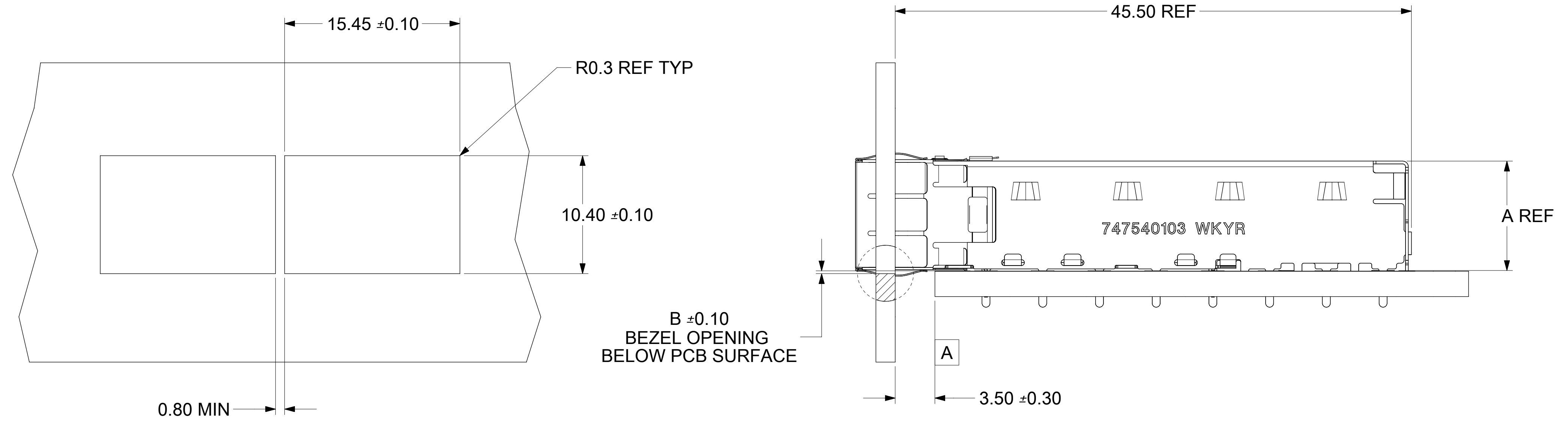


DETAIL 1
 SCALE 10:1
 HOST CONNECTOR DETAIL

- NOTES:
- PADS AND VIAS CONNECT TO CHASSIS GROUND (RECOMMEND PADS TO BE 2.00mm SQUARE)
 - RECOMMENDED THRU HOLE PLATING INCLUDES HASL, OSP, OR IMMERSION (GOLD, SILVER, OR TIN).
 - CONNECTOR PAD LAYOUT PER SFP+ MSA WILL ACCOMMODATE MOLEX CONNECTOR SERIES 74441 OR EQUIVALENT.

QUALITY SYMBOLS	THIS DRAWING CONTAINS INFORMATION THAT IS PROPRIETARY TO MOLEX ELECTRONIC TECHNOLOGIES, LLC AND SHOULD NOT BE USED WITHOUT WRITTEN PERMISSION			
∇ = 0	SEE REVISION TABLE EC NO: 110131 DRWN: DSUN15 CHKD: DSUN15 REV APPR: RCHEN08	GENERAL TOLERANCES (UNLESS SPECIFIED)	DIMENSION UNITS	SCALE
∇ = 0		ANGULAR TOL $\pm 1.0^\circ$	MM	4:1
∇ = 0		4 PLACES \pm	DRWN BY	DATE
\blacktriangledown = 0		3 PLACES \pm	BTEJA	2016/02/28
∇ = 0		2 PLACES ± 0.15	CHKD BY	DATE
∇ = 0		1 PLACE ± 0.25	DSUN15	2016/03/02
\square = 0		0 PLACES \pm	APPR BY	DATE
\blacksquare = 0		DRAFT WHERE APPLICABLE MUST REMAIN WITHIN DIMENSIONS	RCHEN08	2016/03/08
∇ = 0			DRAWING SIZE	THIRD ANGLE PROJECTION
			D	
RELEASE STATUS	P1	RELEASE DATE	07.11.2016	06:33:59
74754		SEE P/N TABLE		3 OF 5

BEZEL AND BOARD POSITION DIMENSIONS FOR SINGLE SIDE MOUNTING (SPRING FINGER)



SFP+ 1X1 CAGE		
PART NO.	DIME A	DIM B
747540103	9.47	0.43
747540120	9.47	0.43
747540134	9.65	0.25
747540901	9.47	0.43
747548103	9.65	0.25
747540906	9.47	0.43

QUALITY SYMBOLS F = 0 E = 0 D = 0 C = 0 B = 0 A = 0 P = 0	THIS DRAWING CONTAINS INFORMATION THAT IS PROPRIETARY TO MOLEX ELECTRONIC TECHNOLOGIES, LLC AND SHOULD NOT BE USED WITHOUT WRITTEN PERMISSION		DIMENSION UNITS MM	SCALE 4:1		
	GENERAL TOLERANCES (UNLESS SPECIFIED)	DRWN BY DSUN15	DATE 2016/02/28			SFP+ 1X1 CAGE ASSEMBLY WITH SPRING FINGERS AND SOLDER POST LEGS
	ANGULAR TOL ± 1.0 °	CHKD BY DSUN15	DATE 2016/03/02			
	4 PLACES ± 3 PLACES ± 2 PLACES ± 0.15 1 PLACE ± 0.25 0 PLACES ±	APPR BY RCHEN08	DATE 2016/03/08			
DRAFT WHERE APPLICABLE MUST REMAIN WITHIN DIMENSIONS	DRAWING SIZE D	THIRD ANGLE PROJECTION		PRODUCT CUSTOMER DRAWING		
SEE REVISION TABLE	EC NO: 110131 DRWN: DSUN15 CHKD: DSUN15 REV APPR: RCHE08	SERIES 74754	MATERIAL NUMBER SEE P/N TABLE	CUSTOMER	DOCUMENT NUMBER 747540103	
RELEASE STATUS P1	RELEASE DATE 07.11.2016	DOC TYPE PSD	DOC PART ASY	SHEET NUMBER 4 OF 5		

REV	DATE	DESCRIPTION
C	2012/10/04	ADDED PN TABLE. REMOVED NICKEL PLATED FROM CAGE.
D	2013/01/04	ADDED 74754-0901. ADDED DIM A TO TABLE. REMOVED MINIMUM PCB THICKNESS NOTE. UPDATED ROHS NOTE. CREATED SHT4 AND ADDED REV HISTORY.
E	2014/03/03	1. CHANGED P/N TEXT ON SIDE OF CAGE FROM 747540103 WKYR TO 74754XXXX WKYR [SHT 1] 2. REGENRATED ISO VIEW [SHT 1]. 3. ADDED 747540134, 747540135 AND 747548103 [SHT 1] 4. ADDED "MM 3D MODEL: TM-74754-1X1-SOLDER" ON LEFT TOP CORNER [SHT 1]
F	2014/03/06	ADDED P/N TABLE [SHT 3]
G	2014/04/14	1. MODIFY DIM A OF 747540134 & 747540135 FROM 3.23 TO 2.80 [SHT 1] 2. MODIFY DIM B OF 747540134 & 747540135 FROM 0.40 TO 0.25 [SHT 3]
H	2014/06/06	ADDED PACKING INFORMATION [SHT 1]
J	2014/11/27	1. REMOVED P/N 74754-0135. [SHEET 1,3] 2. REMOVED ALL INCH UNIT. [SHEET 2]
K	2015/02/17	1. CHANGED 747540901 DIM.A FROM 2.00 TO 2.20mm. [SHEET 1] 2. P/N DESCRIPTION CHANGED AS "P/N AND WEEK/YEAR DATE CODE TO BE PRINTED / STAMPED ON THE SIDE OF COMPLETED CAGE ASSEMBLY AS SHOWN." [SHEET 1] 3. CHANGED 747548103 DIM A 9.47 TO 9.65 FROM TABLE @E6 [SHEET 3] 4. CHANGED 747548103 DIM B 0.43 TO 0.25 FROM TABLE @E5 [SHEET 3]
L	2016/02/29	1.REMASTERED FROM SD-74754-0103_REV 'K' 2.SHEET 1: ADDED WITHOUT ANY DISCOLORATION AFTER IR REFLOW TEST (REFER TO PS OF 747540001)
M	2016/05/12	SHEET 1 : A12 : ADDED 747540188 INTO P/N TABLE D13 : ADDED DIMENSION 11.50 REF SHEET 3 : D5 : ADDED 747540188 INTO P/N TABLE
N	2016/08/29	SEPERATED 747540188 TO 747540188 PSD ASY SHEET 1 : A12 : DELETED 747540188 FROM P/N TABLE SHEET 3 : D5 : DELETED 747540188 FROM P/N TABLE
P	2016/10/28	SHEET 1: A12: ADDED 747540906 ON P/N TABLE SHEET 2: ADDED A SHEET FOR P/N AND DATE CODE PRINTING SHEET 4: D5: ADDED 747540906 ON P/N TABLE

QUALITY SYMBOLS 	THIS DRAWING CONTAINS INFORMATION THAT IS PROPRIETARY TO MOLEX ELECTRONIC TECHNOLOGIES, LLC AND SHOULD NOT BE USED WITHOUT WRITTEN PERMISSION										
	SEE REVISION TABLE EC NO: 110131 DRWN: DSUN15 CHKD: DSUN15 REV APPR: RCHEN08	2016/10/27	2016/11/06	2016/11/06	GENERAL TOLERANCES (UNLESS SPECIFIED)		DIMENSION UNITS	SCALE	 SFP+ 1X1 CAGE ASSEMBLY WITH SPRING FINGERS AND SOLDER POST LEGS PRODUCT CUSTOMER DRAWING		
		4 PLACES ±		ANGULAR TOL ± 1.0 °		MM	1:1				
		3 PLACES ±		DRWN BY DATE		BTEJA	2016/02/28				
		2 PLACES ± 0.15		CHKD BY DATE		DSUN15	2016/03/02				
		1 PLACE ± 0.25		APPR BY DATE		RCHEN08	2016/03/08				
	0 PLACES ±		DRAFT WHERE APPLICABLE MUST REMAIN WITHIN DIMENSIONS		DRAWING SIZE	THIRD ANGLE PROJECTION	SERIES	MATERIAL NUMBER	CUSTOMER		
	P		D		74754	SEE P/N TABLE	74754	747540103	PSD	ASY	5 OF 5