
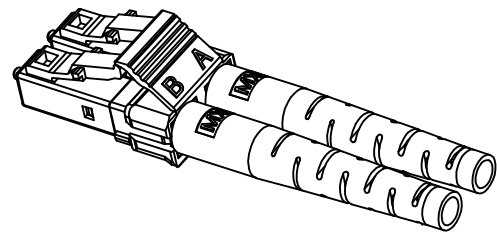
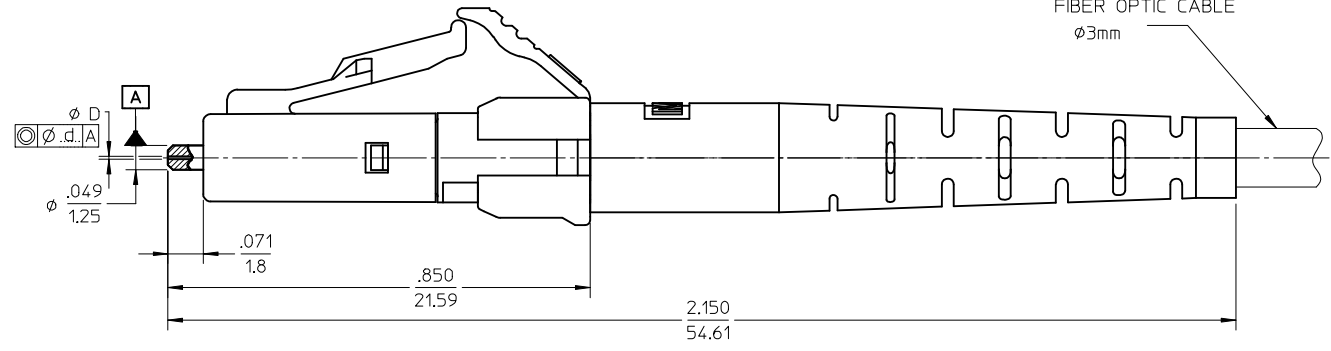
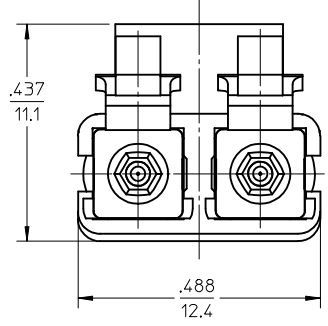
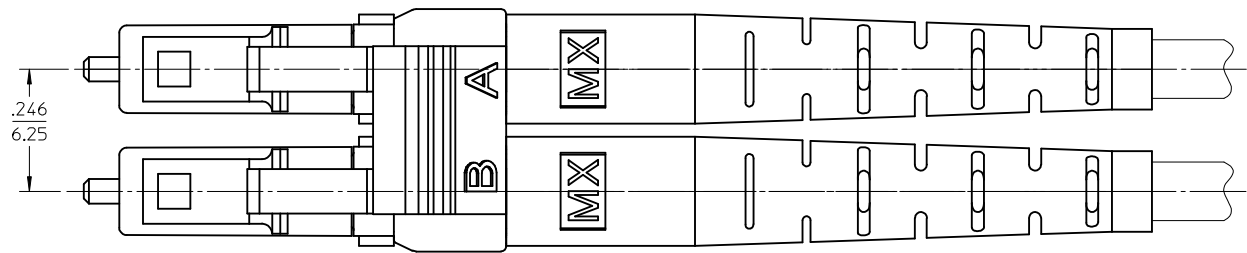
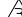





CONNECTOR P/N	∅D (μm)	∅d (μm)	CONN. BODY COLOR	CONN. BOOT COLOR	CABLE TYPE
106025-2250	125.5 ^{+0.5} ₀	1	BLUE	WHITE	SINGLE MODE
106025-3250	127 ⁺³ ₀	3	BEIGE		MULTIMODE
106025-3260			BLUE	1	WHITE
106025-4250					
106025-5250					
106025-6250					
106025-2270	125.5 ^{+0.5} ₀	0.5			
106025-5260 	126 ⁺¹ ₀	1			



ISOMETRIC VIEW
SCALE 2:1

- NOTES:
- ALL DIMENSIONS ARE FOR REFERENCE ONLY.
 - DUST CAPS ARE NOT SHOWN.
-  P/N 106025-5260 IS BULK PACKED IN QUANTITIES OF 100PCS.

ENTER DESCRIPTION EC NO: MF2013-0244 DR: MANKPEVNER 2012/10/30 CHKD: JGUMIN 2012/10/31 APPR: JGUMIN 2012/10/31 REV B1	QUALITY SYMBOLS  F=0  E=0  F=0	GENERAL TOLERANCES (UNLESS SPECIFIED) <table border="1"> <thead> <tr> <th></th> <th>mm</th> <th>INCH</th> </tr> </thead> <tbody> <tr> <td>4 PLACES</td> <td>±---</td> <td>±---</td> </tr> <tr> <td>3 PLACES</td> <td>±---</td> <td>±---</td> </tr> <tr> <td>2 PLACES</td> <td>±---</td> <td>±---</td> </tr> <tr> <td>1 PLACE</td> <td>±---</td> <td>±---</td> </tr> <tr> <td>0 PLACE</td> <td>±</td> <td>±</td> </tr> </tbody> </table>		mm	INCH	4 PLACES	±---	±---	3 PLACES	±---	±---	2 PLACES	±---	±---	1 PLACE	±---	±---	0 PLACE	±	±	DIMENSION STYLE IN/MM DRAWN BY PGIBL IN DATE 2005/11/14 CHECKED BY DATE APPROVED BY DATE	SCALE 4:1 DESIGN UNITS INCH THIRD ANGLE PROJECTION	TITLE LC DUPLEX CONNECTOR 3MM CABLE APPLICATION
		mm	INCH																				
	4 PLACES	±---	±---																				
	3 PLACES	±---	±---																				
2 PLACES	±---	±---																					
1 PLACE	±---	±---																					
0 PLACE	±	±																					
ANGULAR ±1/2° DRAFT WHERE APPLICABLE MUST REMAIN WITHIN DIMENSIONS		MATERIAL NO. SEE TABLE SIZE B	DOCUMENT NO. SD-106025-X250	SHEET NO. 1 OF 1																			
THIS DRAWING CONTAINS INFORMATION THAT IS PROPRIETARY TO MOLEX INCORPORATED AND SHOULD NOT BE USED WITHOUT WRITTEN PERMISSION																							