

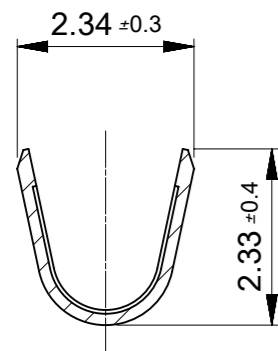
注記

NOTES

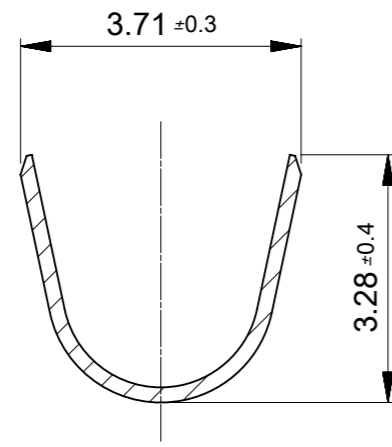
- 適合ハウジング : 504694,505606 SERIES
APPLICABLE HOUSING:504694,505606 SERIES
- 材料 MATERIAL
銅合金(t=0.2)
COPPER ALLOY(t=0.2)
錫めっき 0.7μm以上 リフロー処理(前めっき)
TIN 0.7μm MIN. REFLOW TREATMENT (PRE-PLATED)
- △トレードマーク : MXプラス1文字の製造工場を示す
アルファベットにて表示。
但し"J"はJAPANを示す。
FORMED BY MX AND 1 MORE LETTER OF ALPHABET
WHICH MEAN THE MANUFACTORY.
BUT "J" MEANS JAPAN. (TO TRADE MARK) (ex MXJ)
ELV AND RoHS COMPLIANT
- 適用電線サイズ AWG#18 ~ 22
APPLICABLE WIRE AWG#18 ~ 22
- 被覆外径 : 1.55 ~ 2.6mm
INSULATION OUTSIDE DIAMETER : 1.55 ~ 2.6mm
- 製品仕様書及び取り扱いについては、製品仕様書
5056050000PS000、コネクタ取扱説明書 5056050000PSA00,A01
を参照願います。
PLEASE REFER TO PRODUCTS SPECIFICATION
5056050000PS000 AND USER'S MANUAL 5056050000PSA00,A01.
- 圧着仕様書については、5056070000PSC00を参照願います。
PLEASE REFER TO CRIMPING SPECIFICATION
5056070000PSC00.
- 圧着端子の注意事項としてATS-57427-0000を参照
AS ATTENTION AT THE TIME OF CRIMP REFER TO
ATS-57427-0000.

POLY BAG	5056080100	バラ状 LOOSE
REEL	5056080000	連鎖状 CHAIN
PACKAGING SPEC.	オーダー番号 ORDER NO.	形態 FORM
CONNECTOR SERIES NO. 5056080*00		

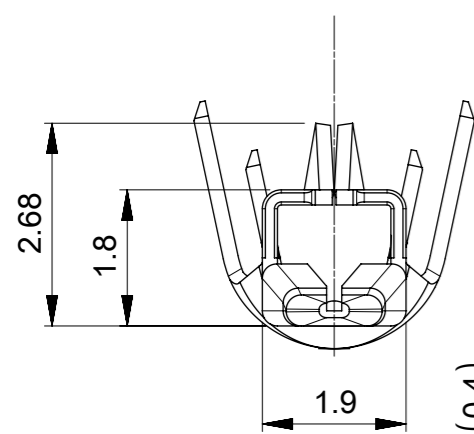
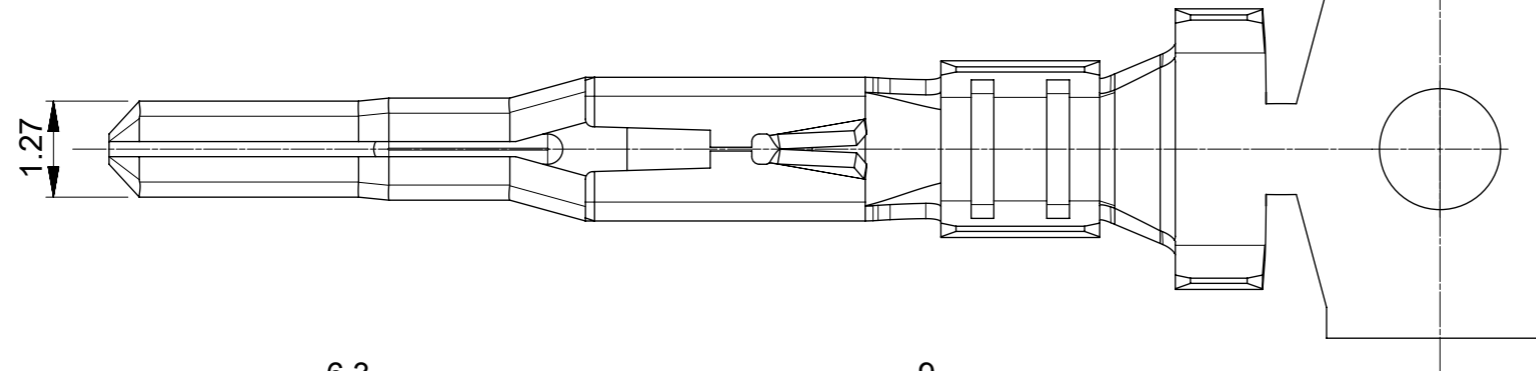
THIS DRAWING CONTAINS INFORMATION THAT IS PROPRIETARY TO MOLEX ELECTRONIC TECHNOLOGIES, LLC AND SHOULD NOT BE USED WITHOUT WRITTEN PERMISSION									
DIMENSION UNITS	SCALE	CURRENT REV DESC:							
mm	10:1	molex							
GENERAL TOLERANCES (UNLESS SPECIFIED)									
ANGULAR TOL	± 3.0°	CP 3.3 W/W PLUG CRIMP TERMINAL							
4 PLACES	± 0.2								
3 PLACES	± 0.2	PRODUCT CUSTOMER DRAWING							
2 PLACES	± 0.2								
1 PLACE	± 0.2	DOCUMENT NUMBER: 5056080000 DOC TYPE: PSD DOC PART: 000 REVISION: C							
0 PLACES	± 0.2								
DRAFT WHERE APPLICABLE MUST REMAIN WITHIN DIMENSIONS		THIRD ANGLE PROJECTION	DRAWING	SERIES	MATERIAL NUMBER	CUSTOMER		SHEET NUMBER	
			A3-SIZE	505608		GENERAL		1 OF 1	



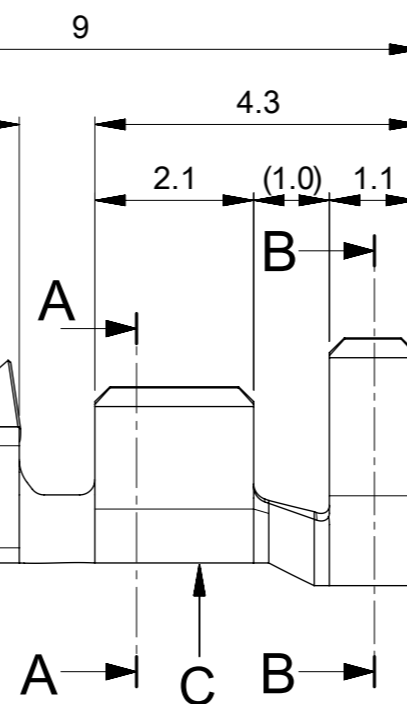
SECTION A-A



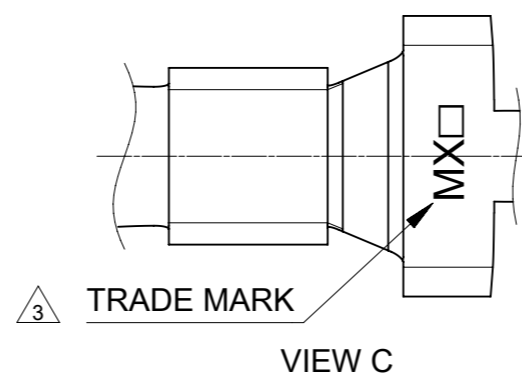
SECTION B-B



(0.4)



A A A
C C C
B B B



VIEW C