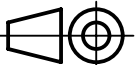



suitable cable \varnothing 11-12mm

| | | | | | |
|--|--|----------------|-----------------|------------|-------------------------------------|
|  All Dimensions in mm Original Size DIN A4 | Scale | Free size tol. | | | Ref. |
| | 2:1 | | | | Sub. |
|  All rights reserved Department EL PD - DE | Created by | Inspected by | Standardisation | Date | State |
| | DICK | SCHNIEDER | TIEMANNA | 2014-07-03 | Final Release |
| HARTING Electric GmbH & Co. KG D-32339 Espelkamp | Title | | | | Doc-Key / ECM-Nr. |
| | Grommet 11-12mm KDT/Z11 for Split Hood | | | | 100085387/UGD/003/A 500000076557 |
| Type | | Number | | Rev. | Page |
| TB | | 09 00 000 5359 | | A | 1/1 |