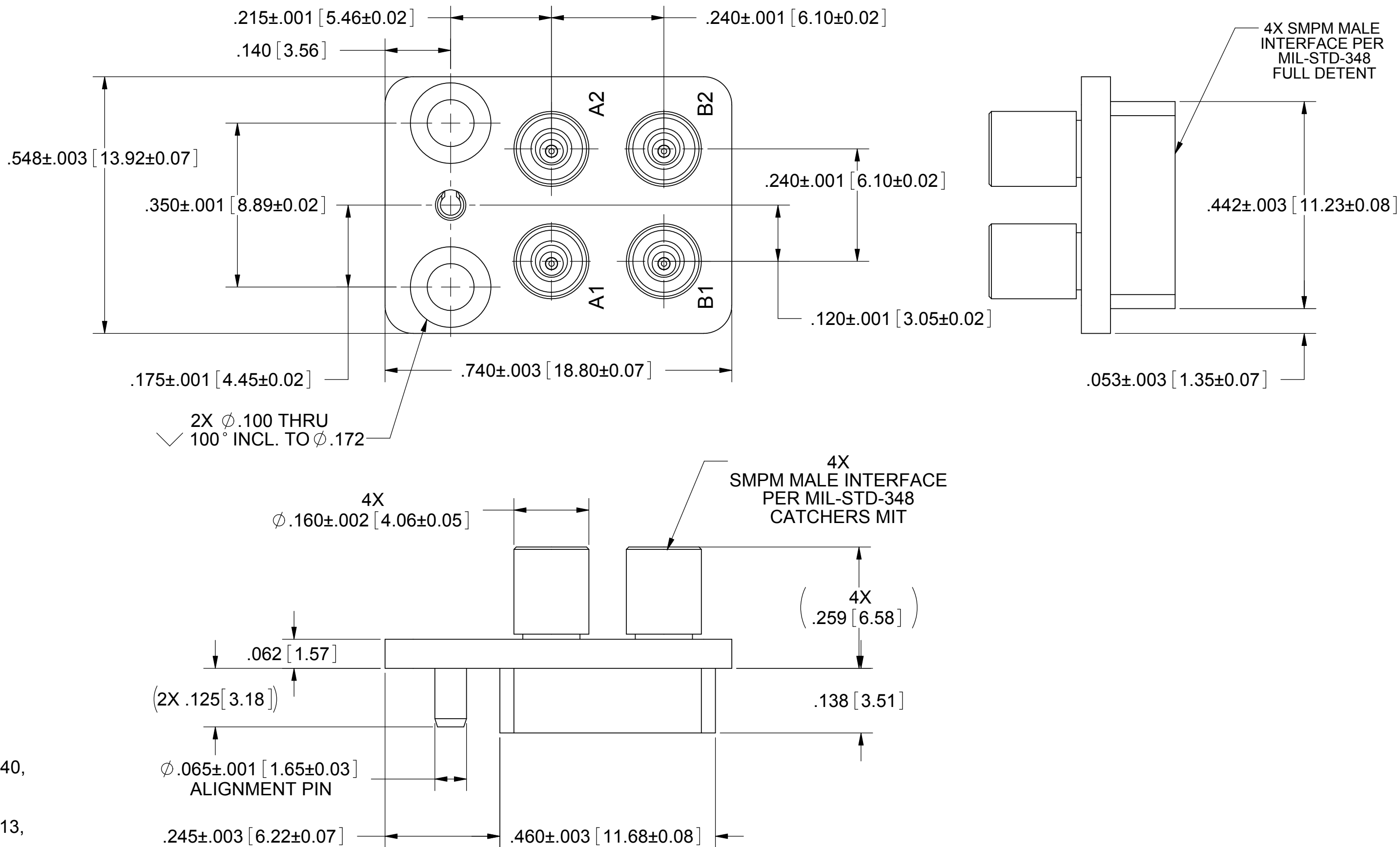
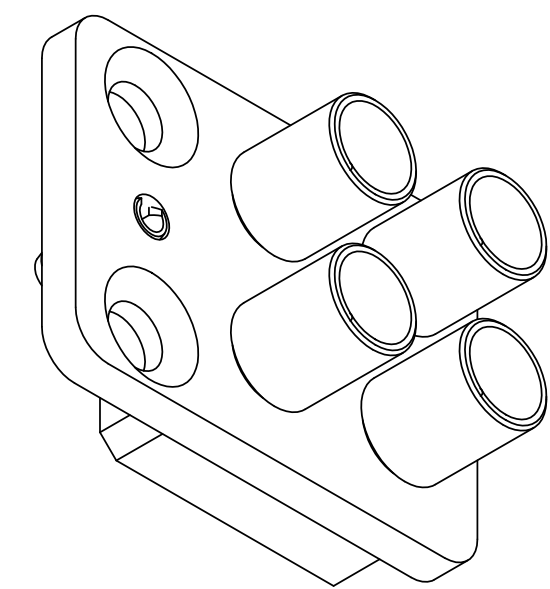


PRODUCT DATA DRAWING

REVISION HISTORY			
REV.	DESCRIPTION	DATE	APPROVED
B	DCN 42423	06/16	STW



MATERIAL:
FLANGE: STAINLESS STEEL PER AMS-5640, ALLOY UNS S30300, TYPE 1.
SPRING PINS: STAINLES STEEL PER ASTM A313, ALLOY UNS S30200, TYPE 302.
CONTACTS & SMPM BODIES: BERYLLIUM COPPER PER ASTM B196, ALLOY No. UNS C17300, TD04.
INSULATORS: PTFE PER ASTM D1710, TYPE I, GRADE 1, CLASS B.
FINISH:
FLANGE & SPRING PINS: PASSIVATED PER AMS-2700.
CONTACTS & SMPM BODIES: GOLD PER ASTM B488, TYPE II, CODE C, CLASS 1.27, OVER NICKEL PER AMS-QQ-N-290, CLASS 1, .00005" MIN.
PERFORMANCE:
IMPEDANCE: 50 OHMS
FREQ. RANGE: DC TO 26.5 GHz
VSWR: 1.50:1 MAX, MATED PAIR, DC TO 26.5 GHz
INSERTION LOSS: .12 X SQRT(F IN GHz)
DWV: 1000 VRMS



MATERIAL: SEE NOTES
 FINISH: SEE NOTES
 DO NOT SCALE DRAWING
PROPRIETARY
 THE INFORMATION CONTAINED IN THIS DRAWING IS THE SOLE PROPERTY OF SV MICROWAVE, INC. ANY REPRODUCTION IN PART OR AS A WHOLE WITHOUT THE WRITTEN PERMISSION OF SV MICROWAVE, INC. IS PROHIBITED.

DIMENSIONS ARE IN INCHES
 TOLERANCES:
 ANGULAR: $\pm 1^\circ$
 ONE PLACE DECIMAL $\pm .030$
 TWO PLACE DECIMAL $\pm .010$
 THREE PLACE DECIMAL $\pm .005$
 INTERPRET DIMENSIONS AND TOLERANCES PER ASME Y14.5M - 1994

UNLESS OTHERWISE SPECIFIED:
 1. ALL DIMENSIONS ARE AFTER PLATING.
 2. BREAK CORNERS & EDGES R.005 MAX.
 3. CHAMFER 1ST AND LAST THREAD.
 4. SURFACE ROUGHNESS 63 PER MIL-STD-10.
 5. DIA'S ON COMMON CENTERS TO BE CONCENTRIC WITHIN .005 T.I.R.
 6. REMOVE ALL BURRS.

THIRD ANGLE PROJECTION

DRAWN: JMC 01/05/11
 CHECKED: STW 01/06/11
 APPROVED: STW 01/06/11
 E.M. SIMULATION: N/A

SV Microwave, Inc.
 2400 Centrepark West Drive, Suite 100
 West Palm Beach, FL 33409

TITLE: **MULTIPOINT ADAPTER 4 POSITION MODULE**

SIZE: C CAGE CODE: 95077 DWG. NO. SF1132-6037
 SCALE: 5:1 SHEET 1 OF 1