

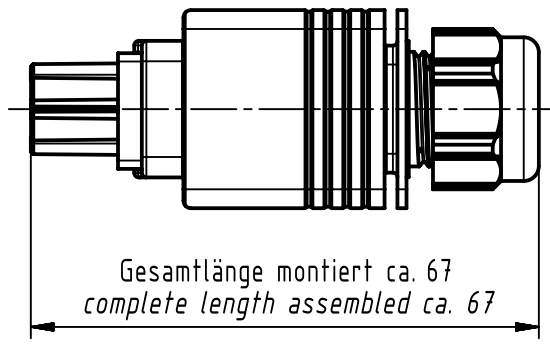
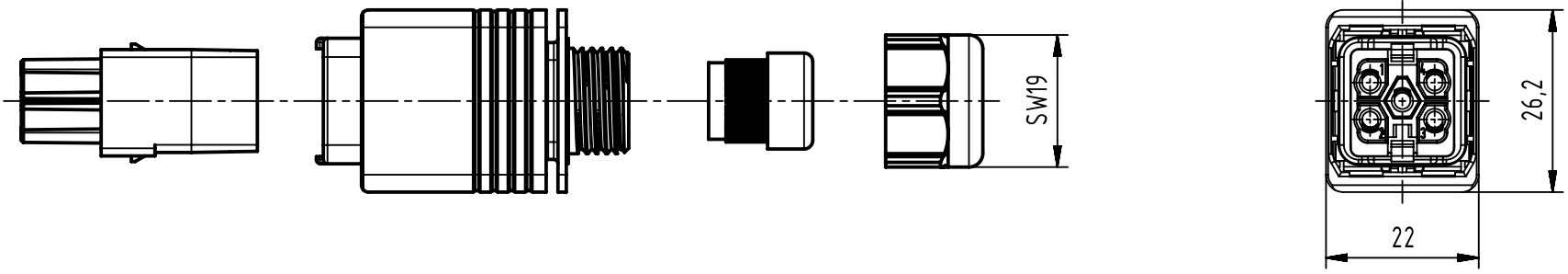
1 2 3 4 5 6

A

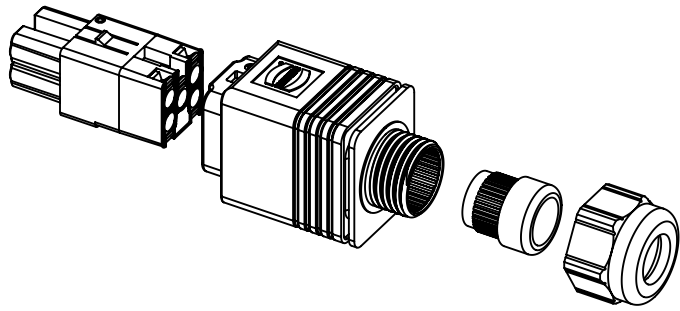
B



C

D



Querschnitt / cross section: 0,5mm²-2,5mm²



	 All Dimensions in mm Original Size DIN A4	Scale 1:1	Free size tol.		Ref.
	All rights reserved Department EC PD - DE	Created by ELLERMANN	Inspected by DAHMS	Standardisation HOFFMANN	Date 2013-06-12
HARTING Electronics GmbH D-32339 Espelkamp		Title Han PP Power plug plastic QL AWG20-14			Doc-Key / ECM-Nr. 100185744/UGD/003/C 500000062511
		Type TB	Number 09352320421		Rev. C
					Page 1/1