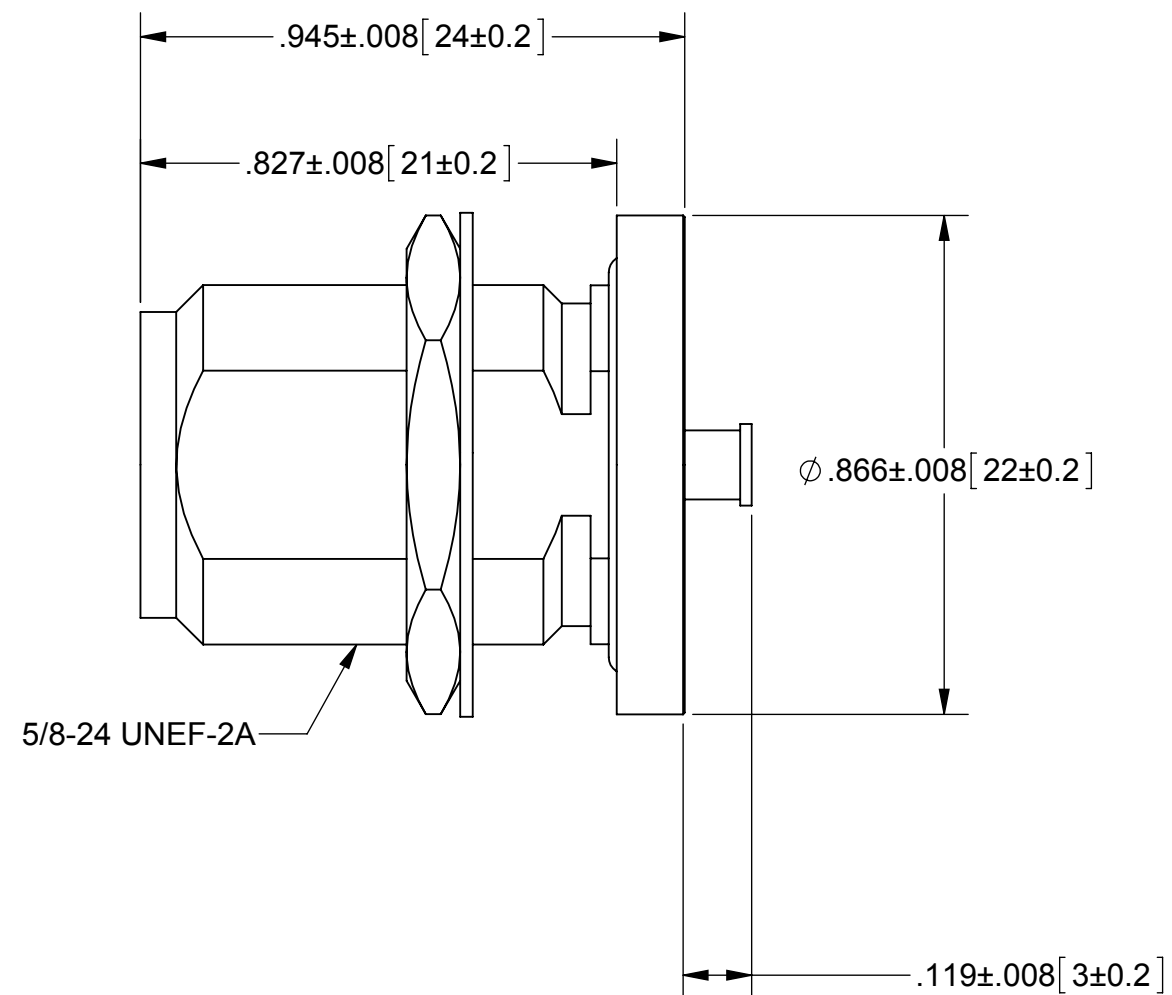
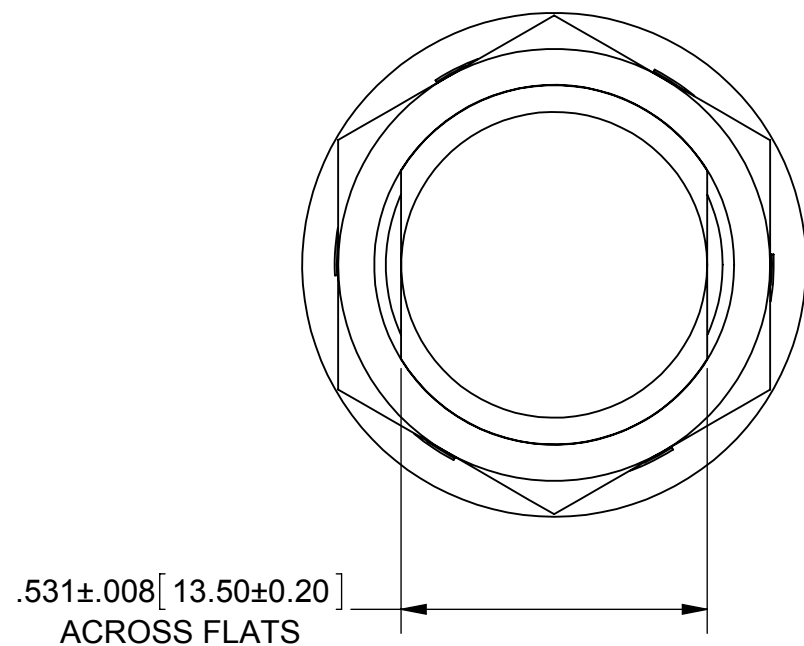


PRODUCT DATA DRAWING

REVISION HISTORY			
REV	DESCRIPTION	DATE	APPROVED
-	DCN 41023	01/15	STW



MATERIAL:

BODY: BRASS
CONTACT: BERYLLIUM COPPER
INSULATOR: PTFE

FINISH:

BODY: NICKEL
CONTACT: GOLD

PERFORMANCE:

OPERATING TEMP.: -45 °C TO +120 °C

MATERIAL: SEE NOTES	DIMENSIONS ARE IN INCHES TOLERANCES: FRACTIONAL: ±1/64 ANGULAR: X° ±1°0' X'X' ±15'	UNLESS OTHERWISE SPECIFIED 1) ALL DIMENSIONS ARE IN INCHES (MILLIMETERS) 2) ALL DIMENSIONS ARE AFTER PLATING. 3) BREAK CORNERS & EDGES .005 R. MAX. 4) CHAM. 1ST & LAST THREADS. 5) SURFACE ROUGHNESS 63-MIL-STD-10. 6) DIA.'S ON COMMON CENTERS TO BE CONCENTRIC WITHIN .005 T.I.R. 7) REMOVE ALL BURRS	SV Microwave, Inc. 2400 Centrepark West Drive, Suite 100 West Palm Beach, FL 33409
FINISH: SEE NOTES	DECIMAL: X ±.030 .XX ±.010 .XXX ±.005	INTERPRET DIMENSIONS AND TOLERANCES PER ASME Y14.5M - 1994	TITLE: TYPE N JACK STRAIGHT FOR Ø .141 CABLE (SOLDER)
SURFACE AREA: N/A	THIRD ANGLE PROJECTION	DRAWN: MAL 01/07/15 CHECKED: STW 01/07/15 APPROVED: STW 01/07/15	SIZE: B CAGE CODE: 95077 DWG. NO.: 5021-00027
<p>PROPRIETARY</p> <p>THE INFORMATION CONTAINED IN THIS DRAWING IS THE SOLE PROPERTY OF SV MICROWAVE, INC. ANY REPRODUCTION IN PART OR AS A WHOLE WITHOUT THE WRITTEN PERMISSION OF SV MICROWAVE, INC IS PROHIBITED.</p>		SCALE: 3:1	SHEET 1 OF 1